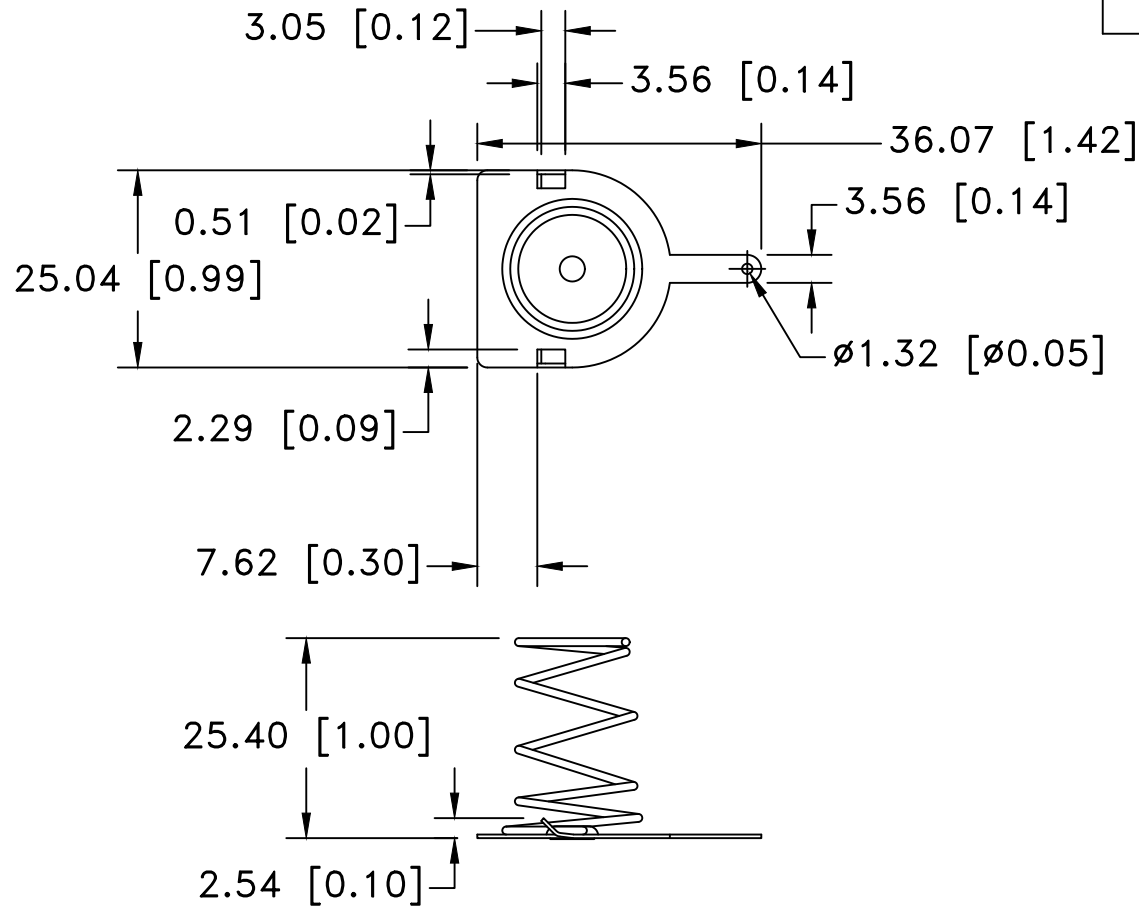


Date	SYM	REVISION RECORD	AUTH	DR.	CK.
3/27/09	A	ADDED "ROHS COMPLIANT"	T.B.	B.S.	
11/21/14	B	UPDATED TO ROHS 2 COMPLIANT	T.B.	B.S.	
03/26/19	C	DIM. 3.56 WAS 5.46 DIM. 7.62 WAS 6.60 DIM. 2.29 WAS 1.78 DELETE DIM. 17.78	T.B.	B.S.	



NOTES:


1. MATERIAL:

CONTACT PLATE: 0.45mm (0.018") THICK

RIVETS: BRASS, NICKEL PLATED.

SPRING: 1.02mm (0.04") THICK SPRING STEEL, NICKEL PLATED.

ROHS COMPLIANT

Tolerance (Except as noted)	 <b>Memory Protection Devices, Inc</b> 200 Broad Hollow Road, Farmingdale, New York 11735		
decimal ±.5 (.020)		Scale	Drawn By B.S.
Fractional ± .8 (.030)	Title NEGATIVE CONTACT FOR "D" CELL		
Angular ± 3°	Date 03/26/19	Drawing Number BK-876	
			Approved By T.B.