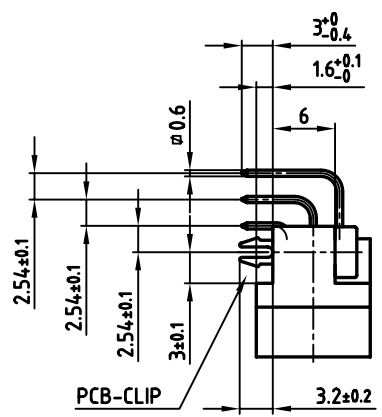
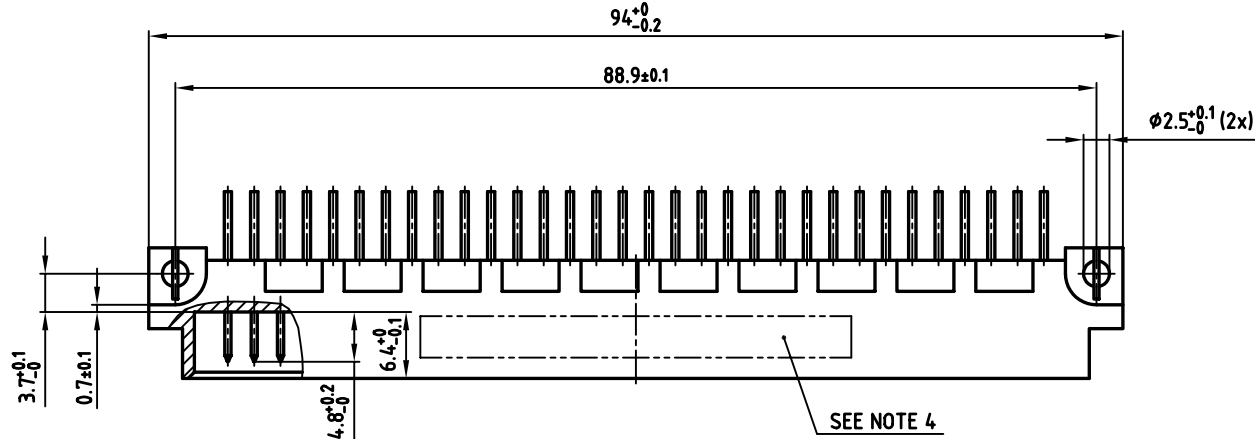
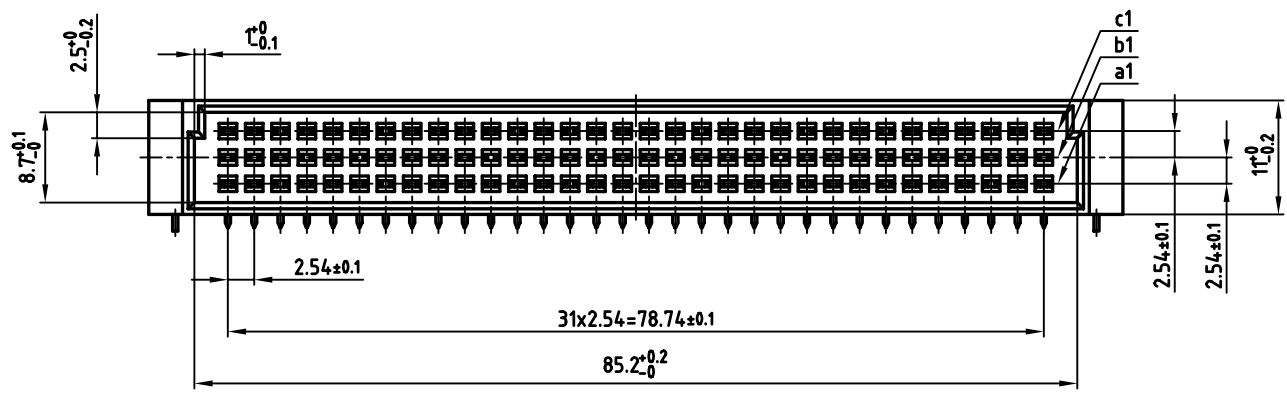
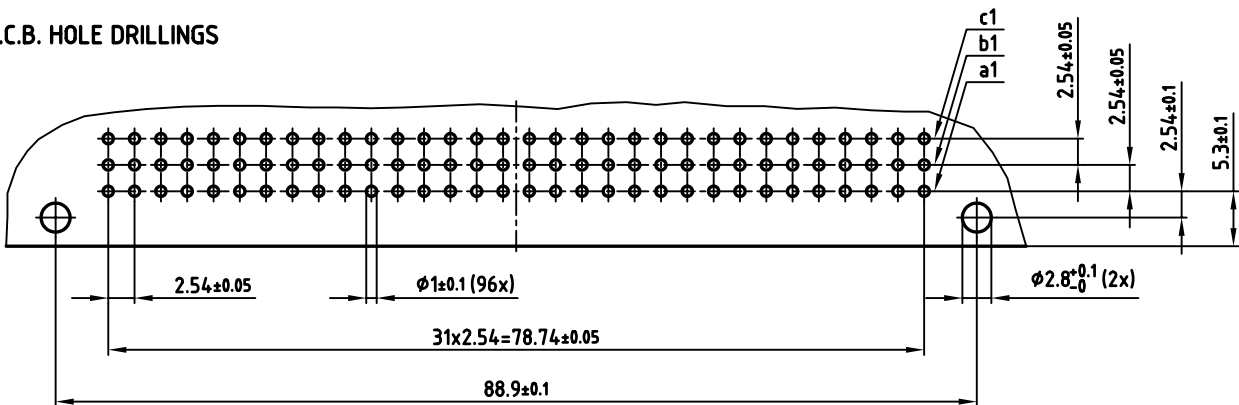


used for: DIN EN 60603-2 TYPE "C"



- NOTES:**
- INSULATORS: PBTP UL 94 V-0, GREY
 - CONTACTS: COPPER ALLOY
PLATING: GOLD OVER NICKEL
50 MATING CYCLES
 - PCB-CLIP: COPPER ALLOY
PCB HOLE $\phi 2.8 \pm 0.1$ / PCB THICKNESS $t = 1.6 \text{mm}$
 - CONNECTOR IS PART MARKED: 121A20919X CONEC ABC

P.C.B. HOLE DRILLINGS



APPROVAL * FREIGABE * DEBLOCAGE * AUTORIZACION * APPROVAL

CUSTOMER APPROVAL DATE:

NAME: TITLE:

COMPANY NAME:

APPROVAL * FREIGABE * DEBLOCAGE * AUTORIZACION * APPROVAL

THIS DRAWING MAY NOT BE COPIED OR REPRODUCED IN ANY WAY, AND MAY NOT BE PASSED ON TO A THIRD PARTY, WITHOUT WRITTEN PERMISSION. OWNERSHIP AND COPYRIGHT OF CONEC Gmbh DO NOT ALTER CAD DRAWING BY HAND

rev.	description	date	name
a	Origin		

tolerance		dim. in mm	
2006	date	name	
drawn	01.06.	Lehnenkühler	
appd.	01.06.	Mickenbecker	
norm	DIN EN 60603-2		
d-old			

scale: 2:1

material: SEE NOTES

title: **MALE CONNECTOR TYPE "C"**
96pos. angled
wit clip

dwg no: AutoCAD 2006 DIN-A 3 sh: 1/1

part no: 12K2A197

part no: 121A20919X

