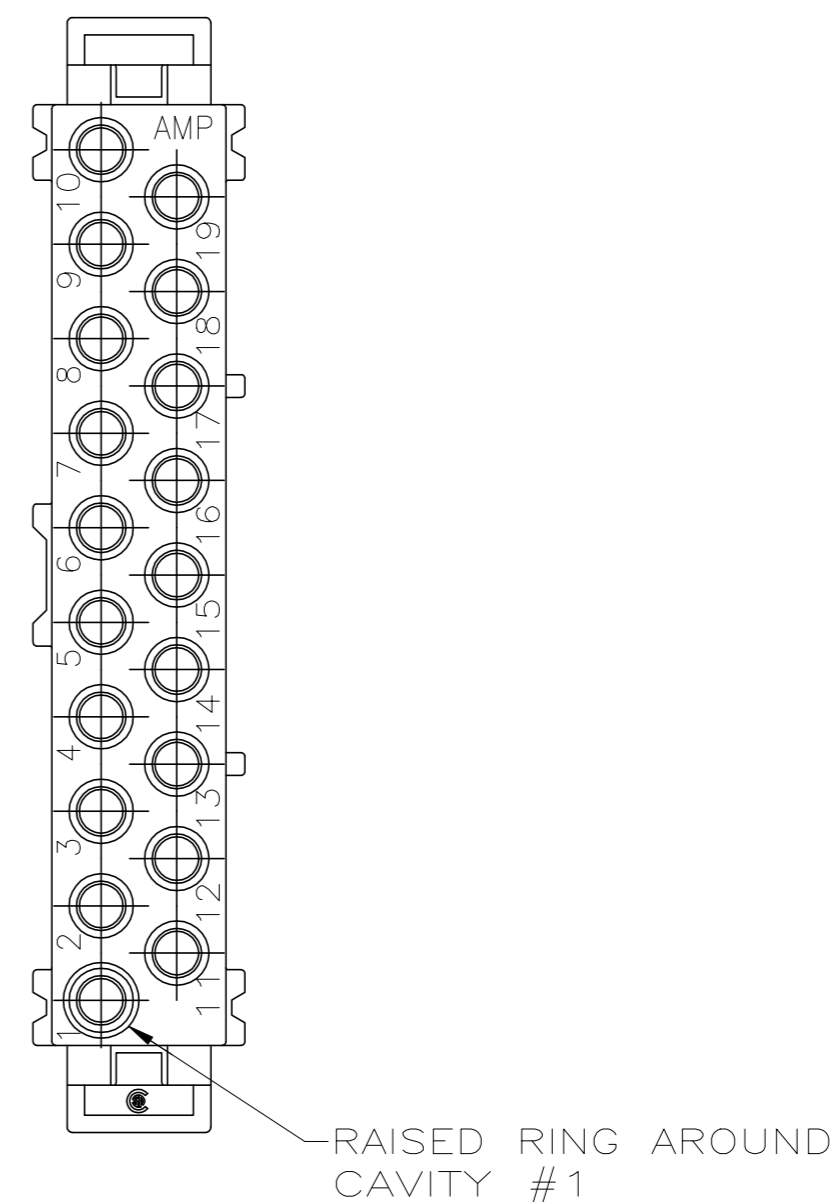
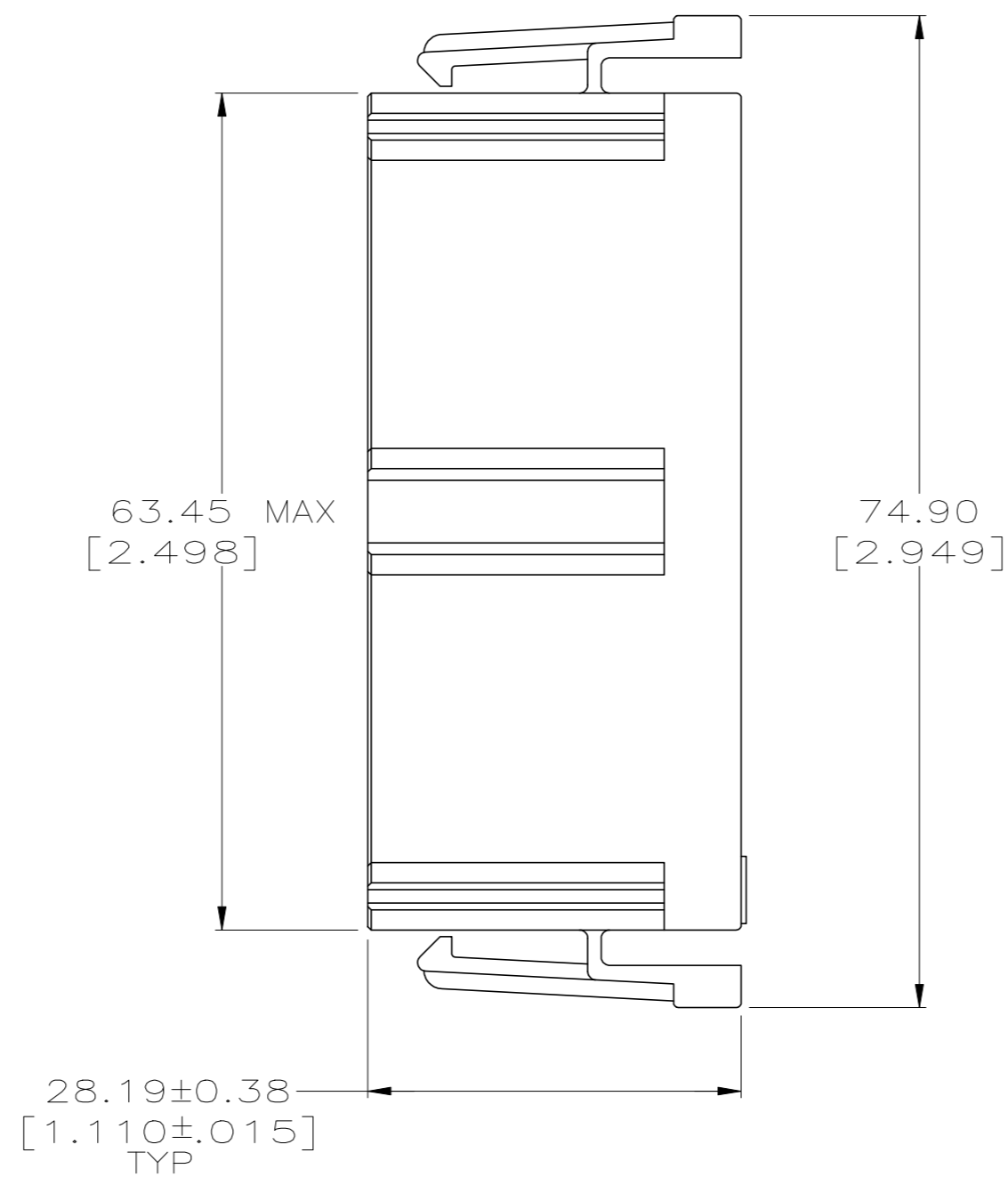
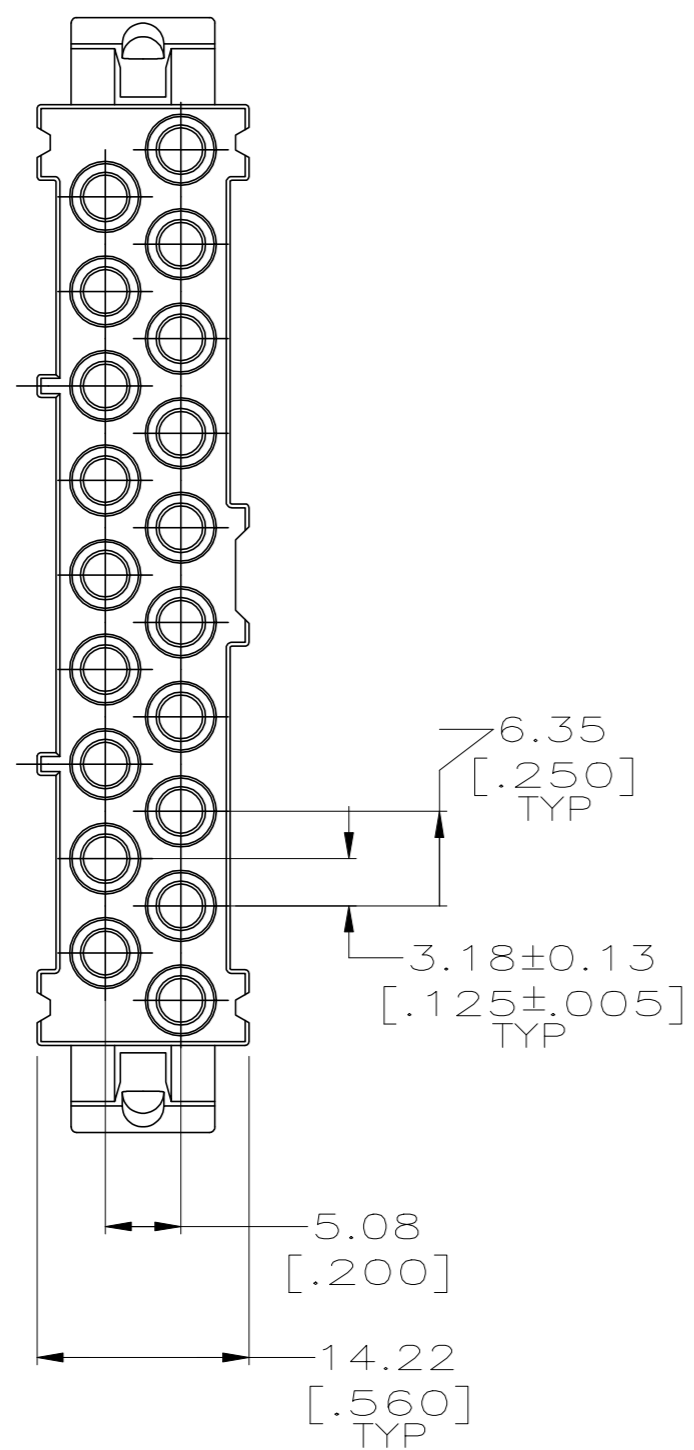


THIS DRAWING IS UNPUBLISHED. RELEASED FOR PUBLICATION
 © COPYRIGHT - TE Connectivity Ltd. ALL RIGHTS RESERVED.

REVISIONS					
P	LTR	DESCRIPTION	DATE	DWN	APVD
-	-		-	-	-



NOTE:
 1 HOUSING MATERIAL: PA66, BLACK, UL 94 V-0 RATED

208100-1
 PART NO.

THIS DRAWING IS A CONTROLLED DOCUMENT.		DWN L.SIPE 03/16/92	TE Connectivity	
DIMENSIONS: INCHES		CHK R.STONE 3-18-92		
		APVD C.RÖHDE/A.TRAVIS 3-18-92	NAME HOUSING, PLUG, 19 POSN, METRIMATE	
TOLERANCES UNLESS OTHERWISE SPECIFIED:		PRODUCT SPEC	RESTRICTED TO	
0 PLC ± -		APPLICATION SPEC	SIZE A2	CAGE CODE 00779
1 PLC ± -		WEIGHT	DRAWING NO C=208100	SCALE 2:1
2 PLC ± 0.25 [.010]		CUSTOMER DRAWING	SHEET 1 of 1	REV E
3 PLC ± -				
4 PLC ± -				
ANGLES ± -				
FINISH -				