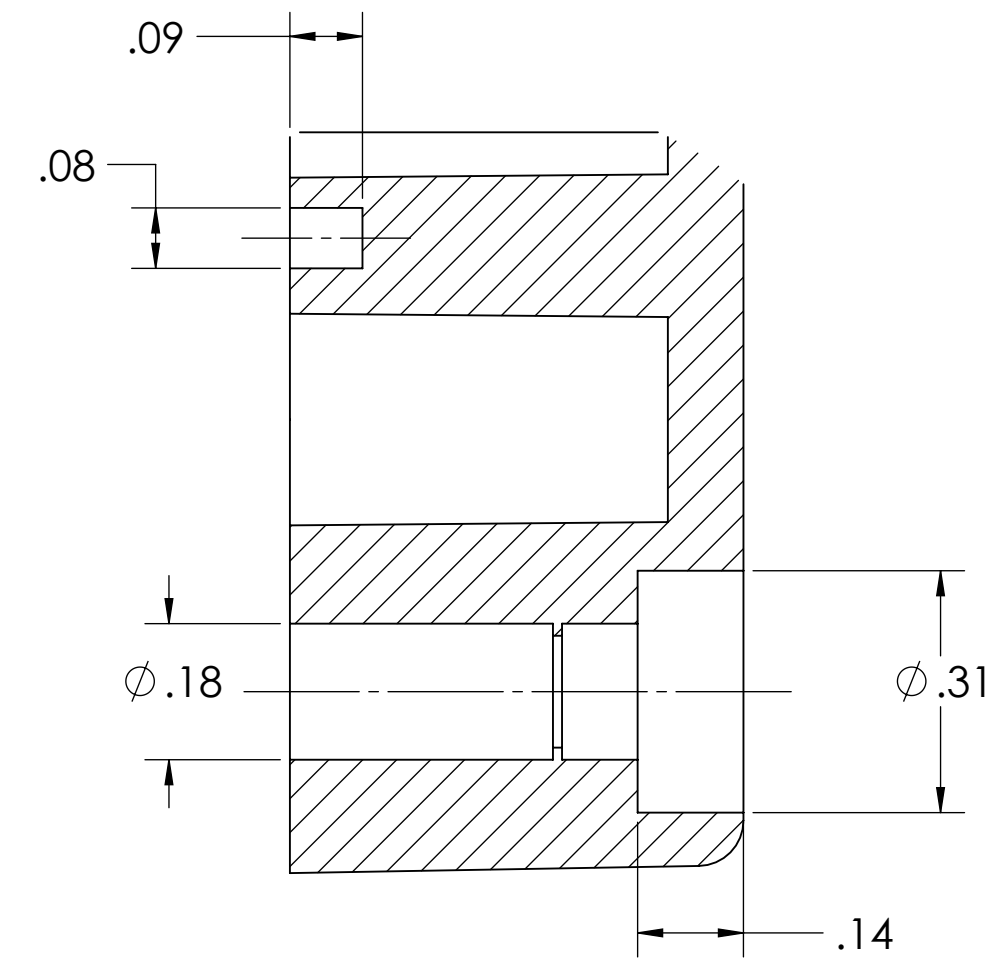
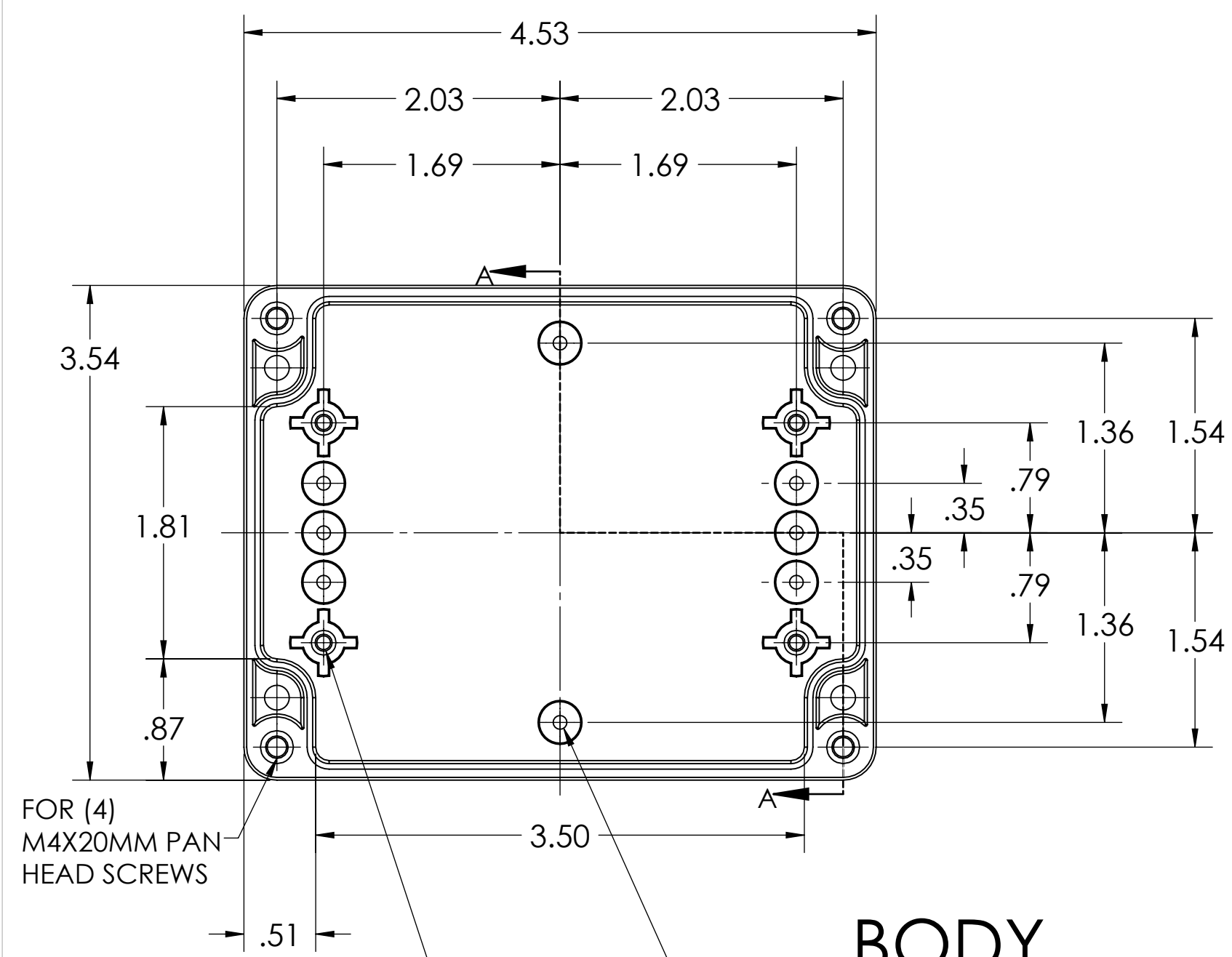
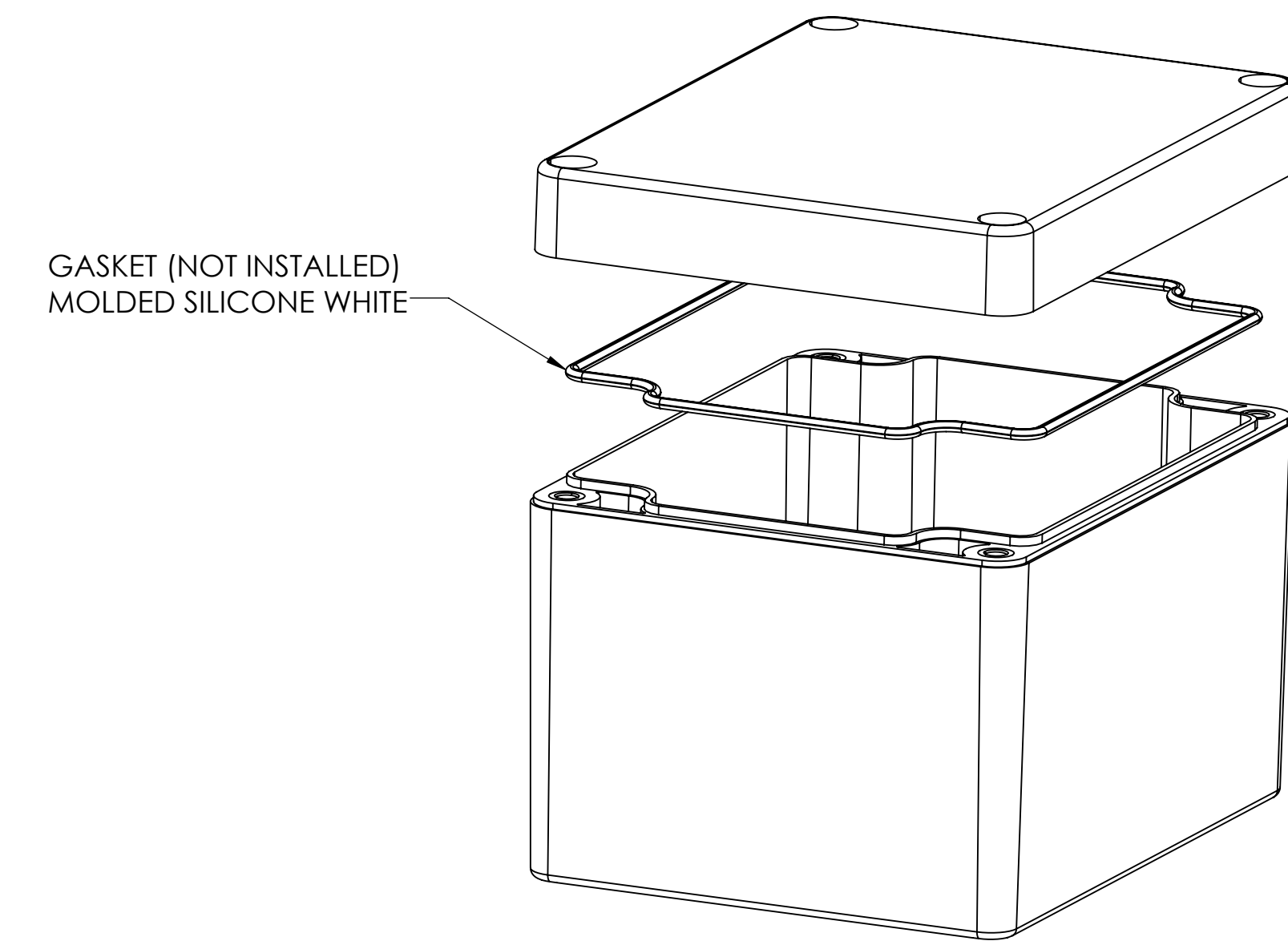
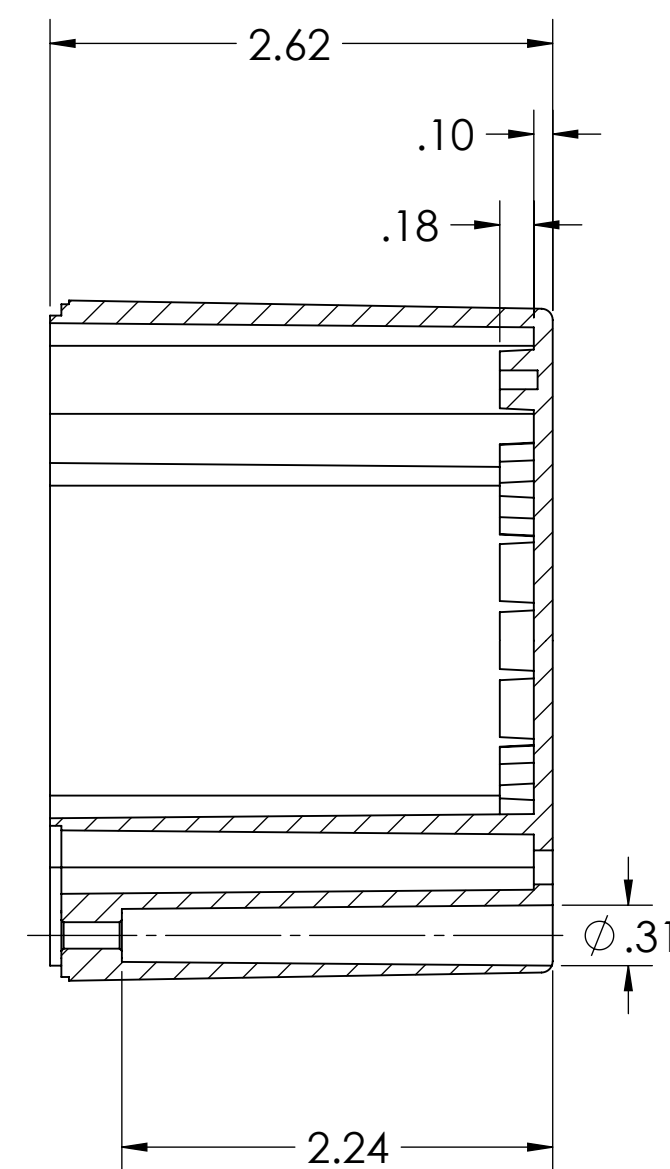
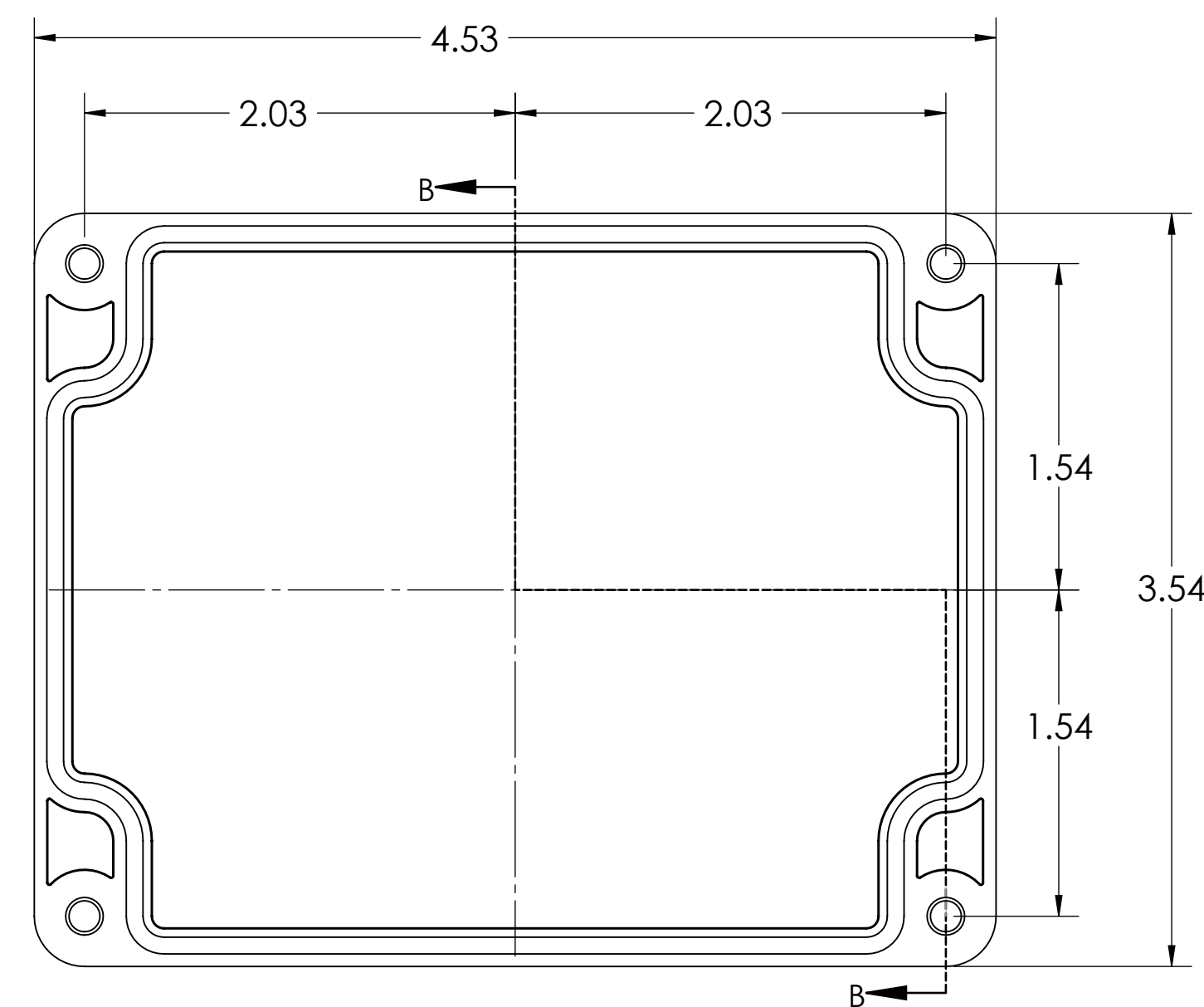
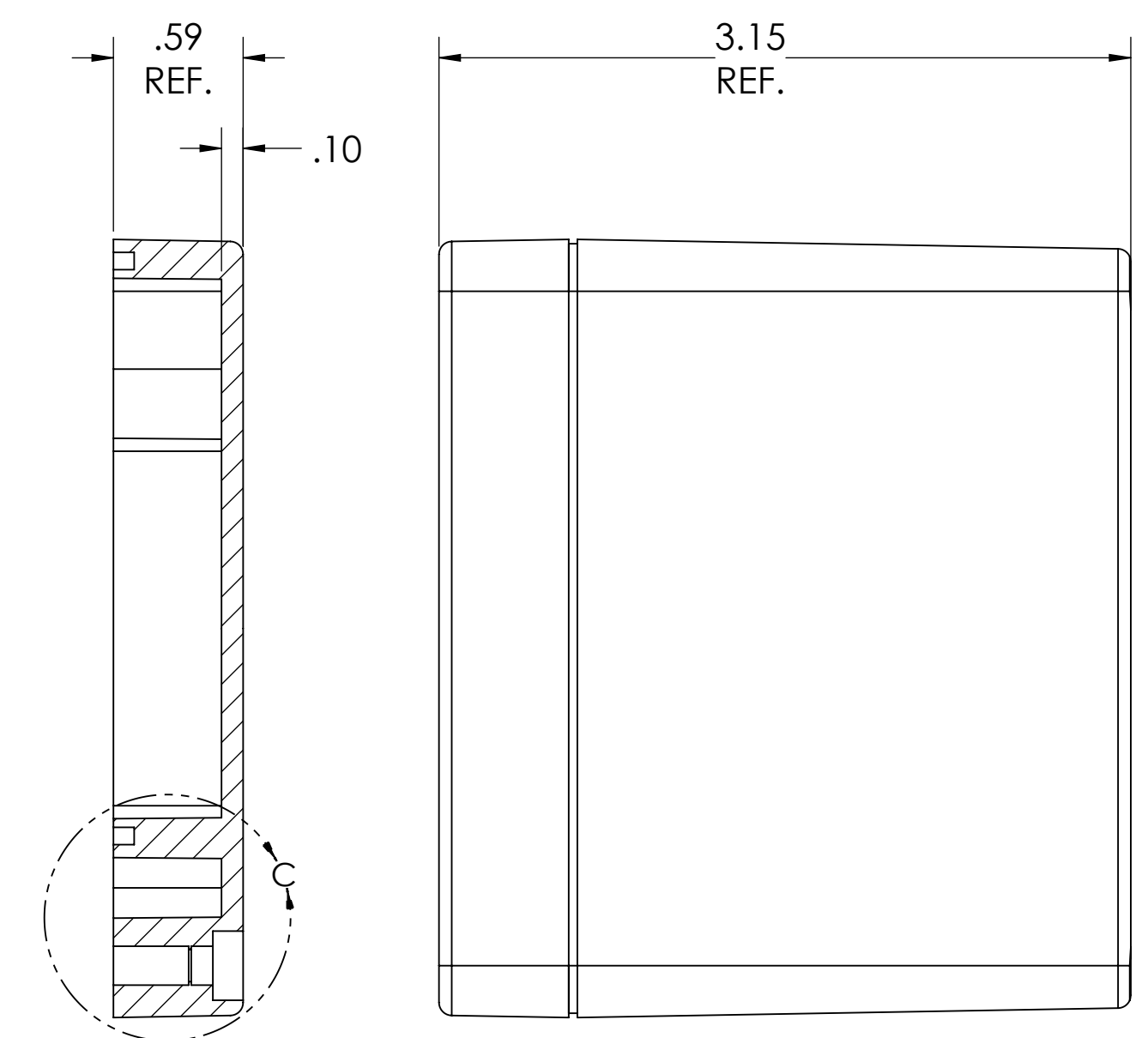


NOTES:

1. MATERIAL AND FLAMMABILITY.
POLYCARBONATE (LIGHT GRAY AND CLEAR) - UL94-HB
BODY, COVER AND CLEAR COVER (C)
FLAMMABILITY RATING (UL FILE #E41613)
SERVICE TEMPERATURE RANGE: -40°C TO +120°C
2. UL 508A (E352997) UL CERT OF COMPLIANCE.: BOXES UL LISTED
NEMA TYPE 6P STANDARD. DESIGNED MEETS IP68 OF IEC529
REQUIREMENTS. PC VERSION UV RESISTANT FOR OUT DOOR USE.
3. GASKET (NOT INSTALLED) MOLDED SILICONE WHITE
4. DIMENSIONS ARE INCH


 DETAIL C
SCALE 4 : 1

BODY

 M3X6 TAPPING SCREWS X 8
(SCREWS NOT SUPPLIED)

 M3X5 THREADED
INSERTS X 4 (SCREWS
NOT SUPPLIED)

 SECTION A-A
SCALE 1 : 1

COVER

 SECTION B-B
SCALE 1 : 0.75