

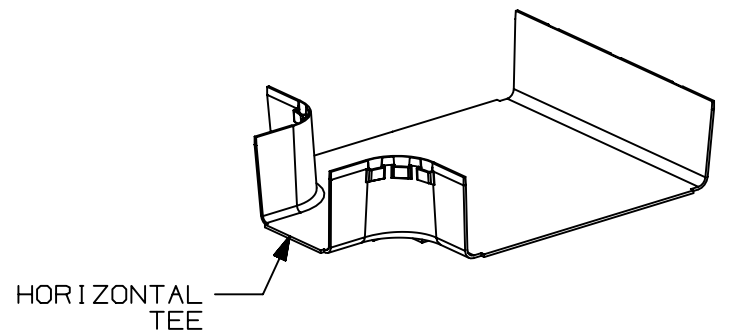
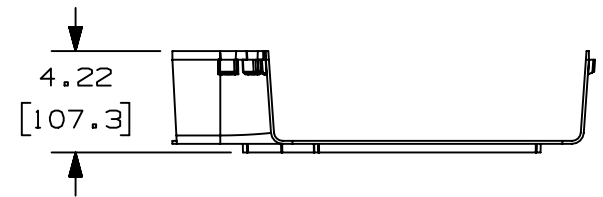
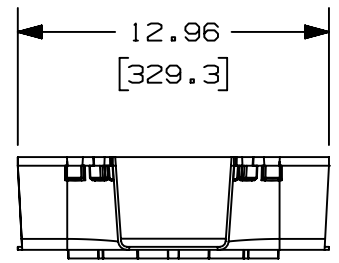
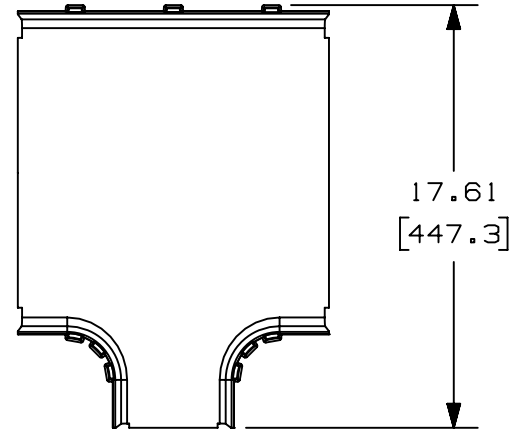
2

1

THIS COPY IS PROVIDED ON A RESTRICTED BASIS AND IS NOT TO BE USED IN ANY WAY DETRIMENTAL TO THE INTERESTS OF PANDUIT CORP.

NOTES:

- 1. SEE CURRENT CATALOG FOR ADDITIONAL PART SUFFIXES TO INDICATE COLOR AND/OR PACKAGE QUANTITY.
- 2. THE FIBERRUNNER 12x4 HORIZONTAL TEE WITH 4" EXIT IS DESIGNED WITH A MINIMUM 2" (50.8) BEND RADIUS TO PROTECT FIBER OPTIC CABLES.
- 3. PARTS SUPPLIED:
(1) - HORIZONTAL TEE
- 4. DIMENSIONS IN PARENTHESES ARE IN METRIC.



PANDUIT PART NUMBER	WEIGHT	MATERIAL
FRT12X4W4**	1.74 LB/EACH (789g/EACH)	ABS
FRT12X4W4L**	1.74 LB/EACH (789g/EACH)	PC/ABS

A

A

TITLE FIBERRUNNER 12x4 HORIZONTAL TEE WITH 4" EXIT (FRT12X4W4**, FRT12X4W4L**)		PANDUIT
CUSTOMER DRAWING		
ITEM REVISION NAME D39774BF/00	DATASET FILE NAME D39774BF_DC/00B	
DRAWING NUMBER: 39774-06		MATERIAL: SEE PART NUMBER TABLE ABOVE
THIRD ANGLE PROJECTION	DRAWING NUMBER: 39774-06	
DRAWN BY MSO	DATE 10/22/08	CHK SL
SCALE NONE	SHT 1 OF 1	
SIZE A		

00B	8/27/20	MEX-JAGC	DWR	DWR	ADDED PART NUMBER UPDATED DRAWING BORDER & TITLE BLOCK	V09002DZ/11
REV	DATE	BY	CHK	APR	DESCRIPTION	ECN

2

1

D10100DA/20