

MATERIAL NUMBER	# OF COLUMNS	# OF DIFF PAIR	DIM "A" MAX	DIM "B"	PTH $\phi$
170510-18**	8	24	15.20	13.30	0.46±0.05
170510-11**	10	30	19.00	17.10	
170510-18**	8	24	15.20	13.30	0.39±0.05
170510-11**	10	30	19.00	17.10	

**170510-1\*\*\***

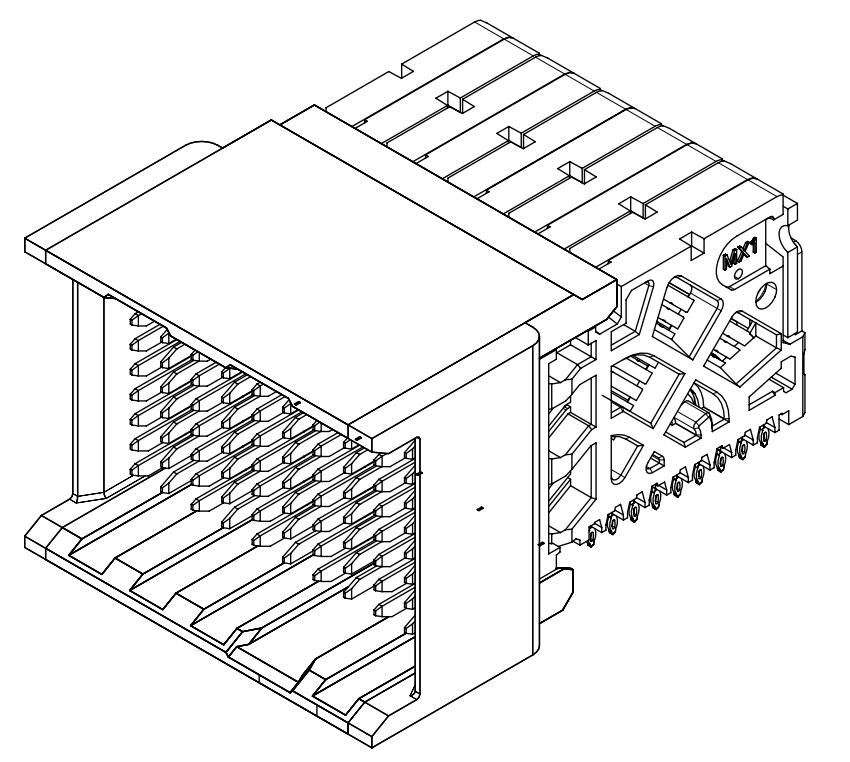
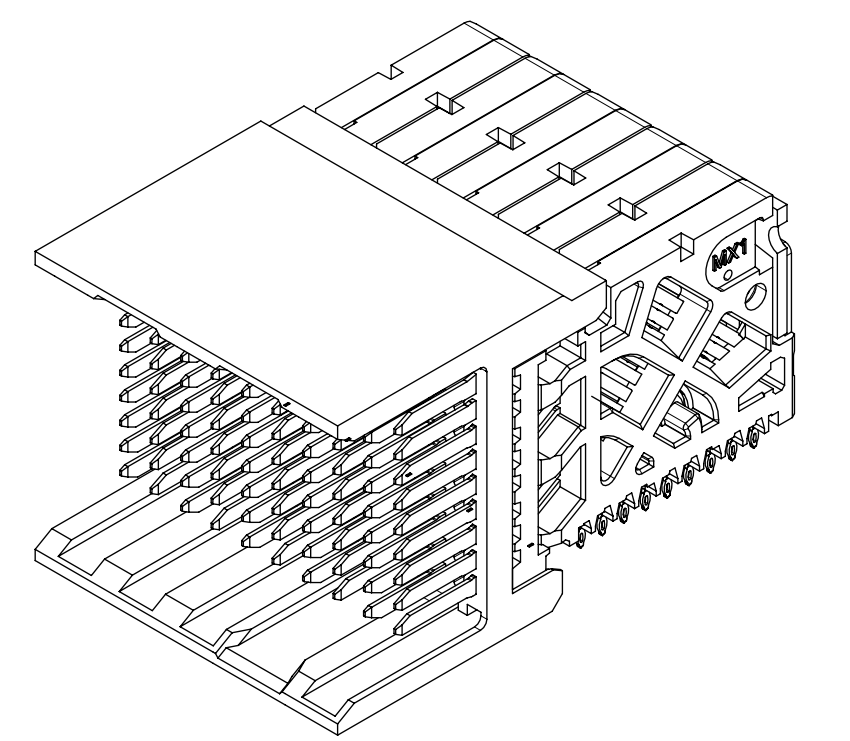
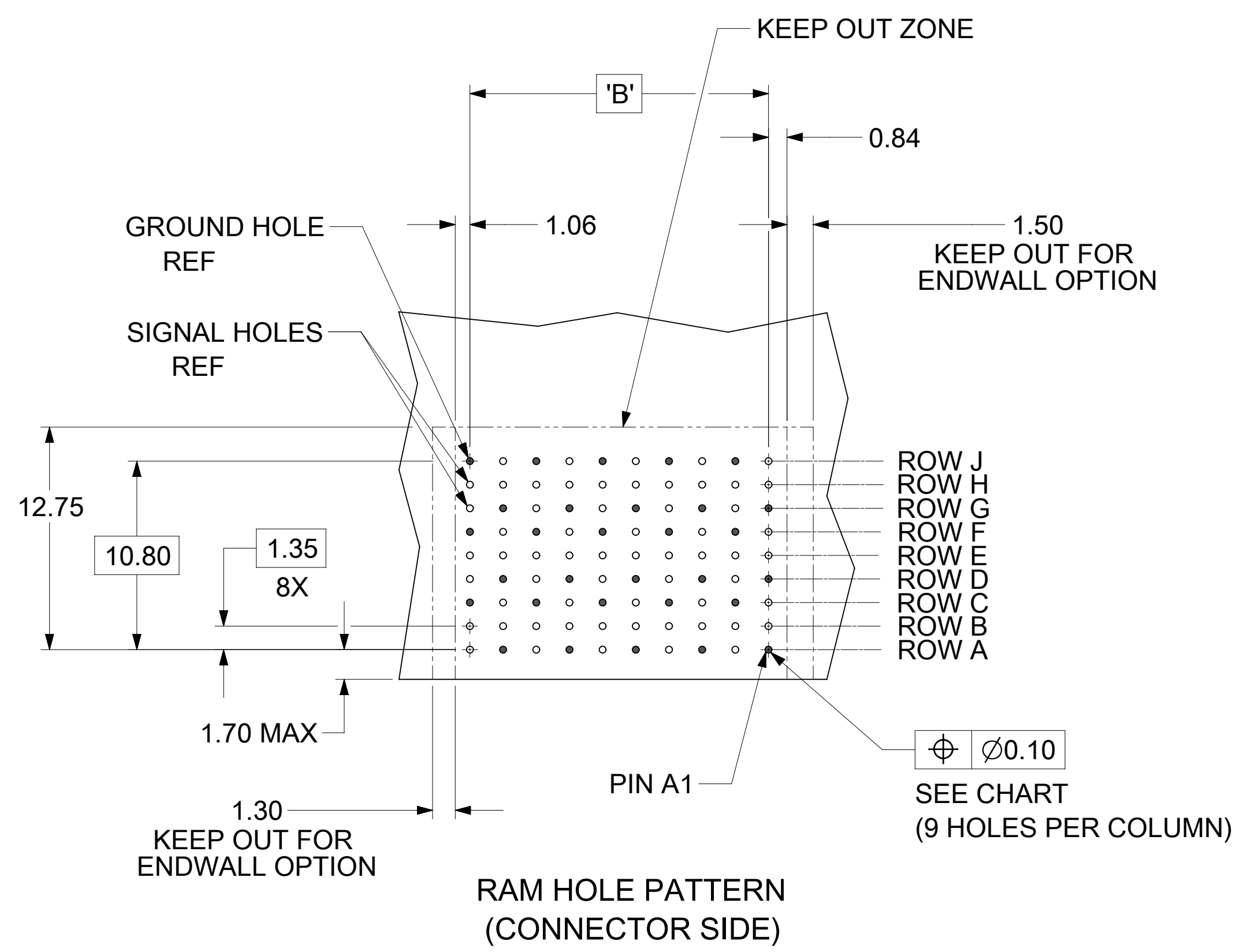
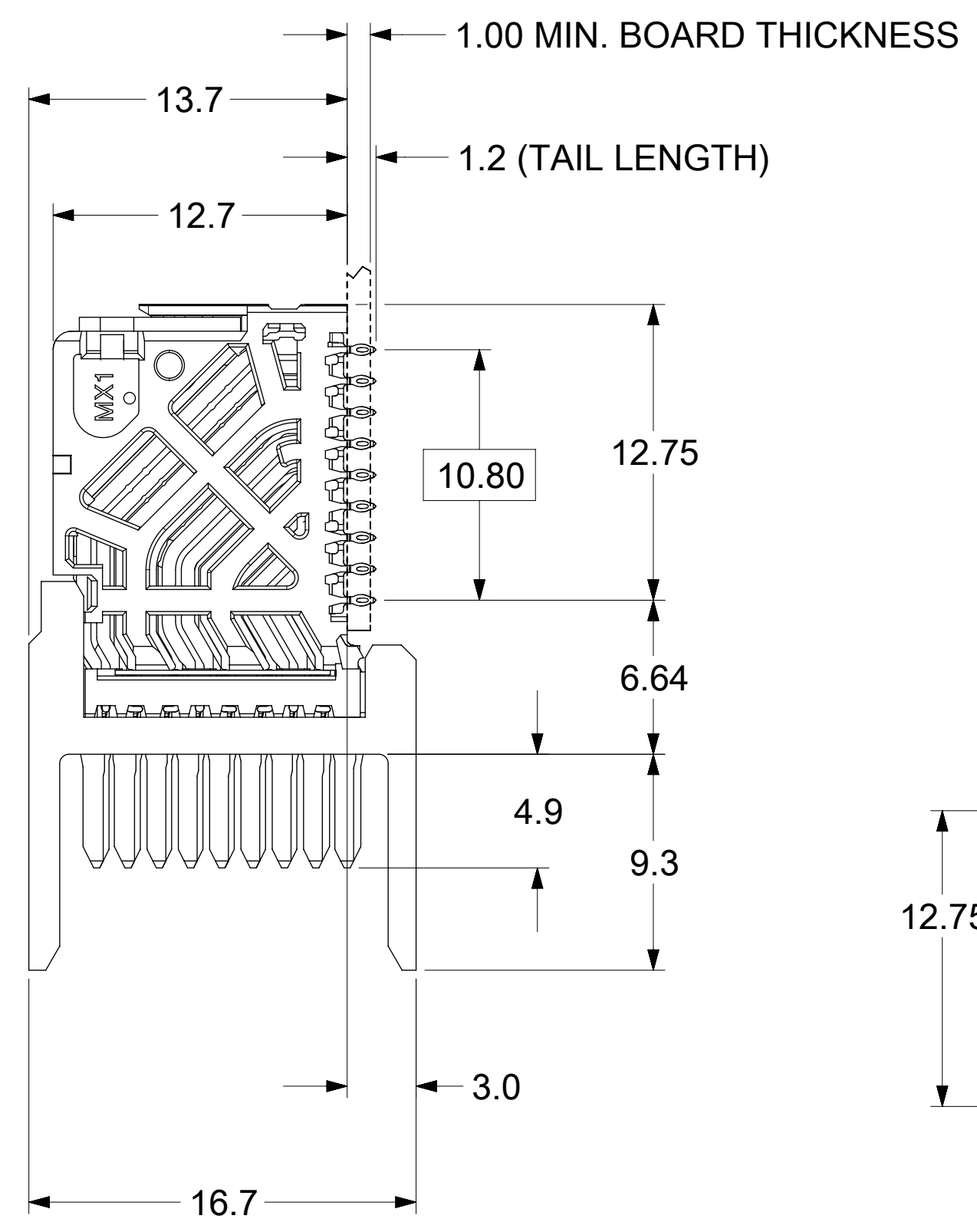
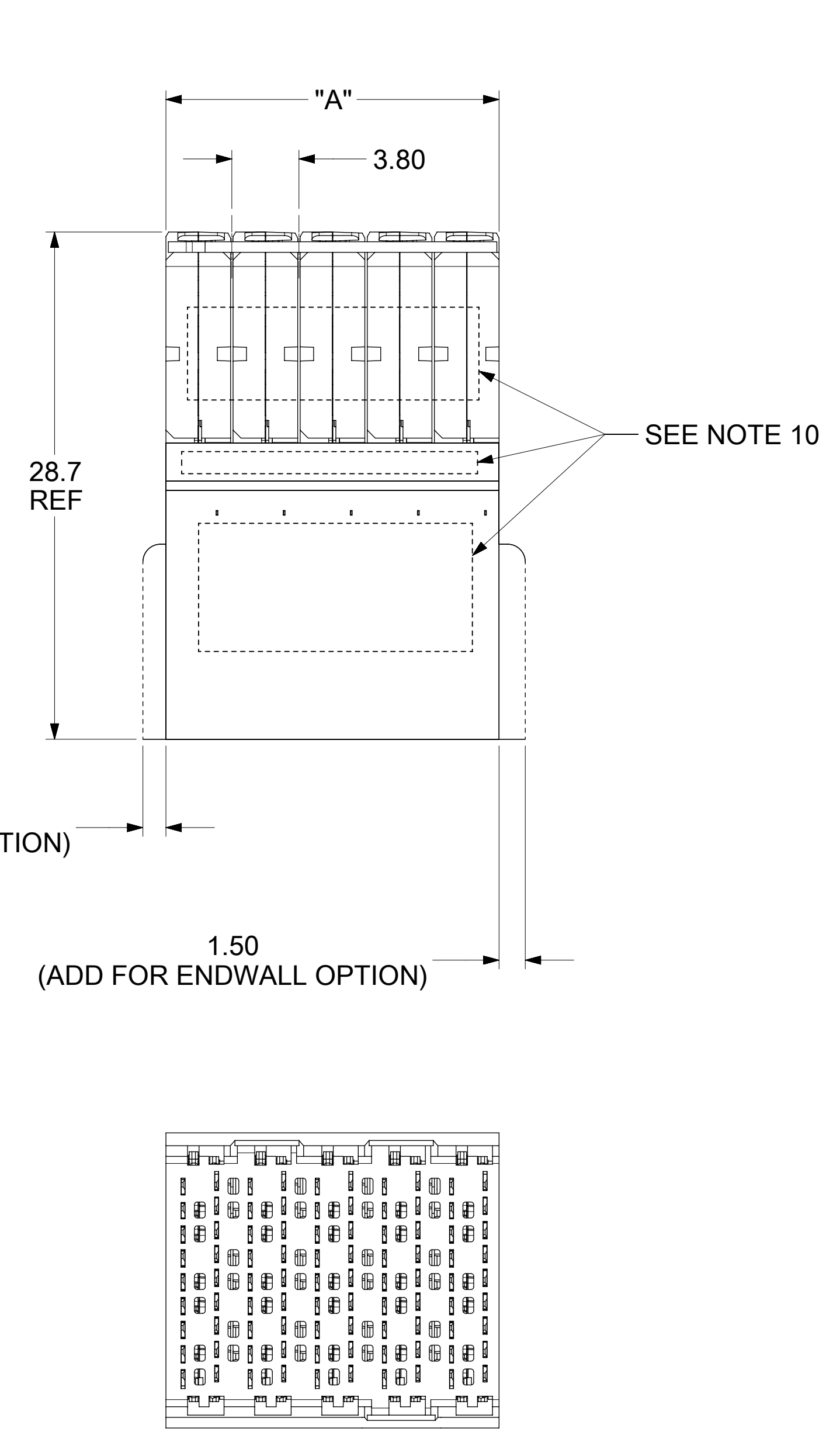
MODULE TYPE  
1 = UNGUIDED, LEAD-FREE

# OF COLUMNS  
1 = 10 COLUMNS  
8 = 8 COLUMNS

PIN LENGTH (P)  
4 = 4.90 (0.46 PTH)  
5 = 5.50 (0.46 PTH)  
7 = 4.90 (0.39 PTH)  
8 = 5.50 (0.39 PTH)

END WALL OPTIONS  
0 = OPEN ENDS  
1 = LEFT ENDWALL  
2 = DUAL ENDWALL  
3 = RIGHT ENDWALL

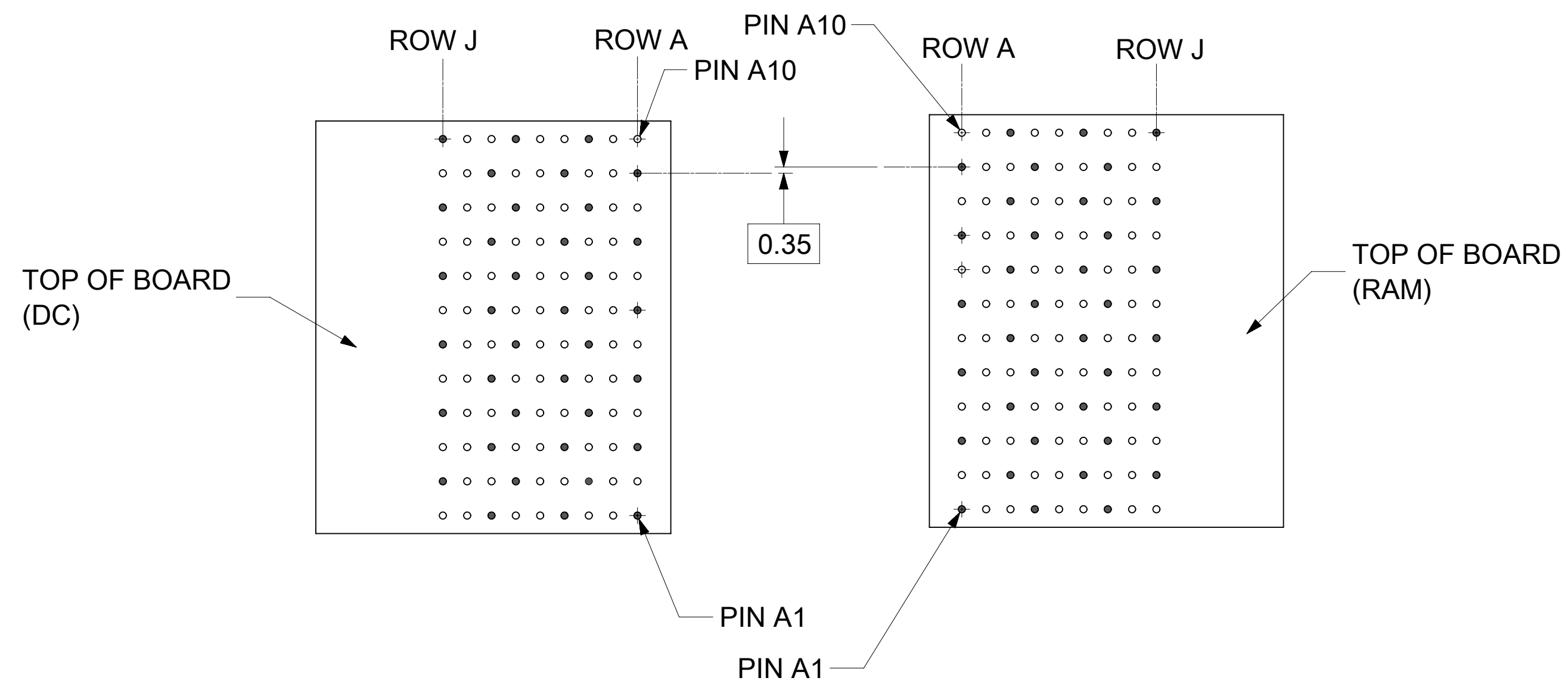
- NOTES:
- MATERIALS: HOUSING - LIQUID CRYSTAL POLYMER (LCP), GLASS-FILLED, UL94V-0  
TERMINALS - HIGH PERFORMANCE COPPER ALLOY
  - FINISH: 30 $\mu$ IN SELECTIVE GOLD IN CONTACT AREA, SELECTIVE TIN ON PCB TAILS, NICKEL OVERALL.
  - REFER TO MOLEX PRODUCT SPECIFICATION PS-170540-999 FOR PERFORMANCE SPECIFICATIONS AND ADDITIONAL PCB INFORMATION.
  - EACH SIGNAL WAFER CONTAINS 2 COLUMNS OF TERMINALS.
  - PRODUCT IS PACKAGED PER PK-70873-041.
  - THIS PART CONFORMS TO CLASS B REQUIREMENTS OF COSMETIC SPEC PS-45499-002.
  - REFER TO MOLEX SALES DRAWING SD-170530-0001 FOR THE MATING RECEPTACLES.
  - REFER TO MOLEX PCB ROUTING GUIDE AS-76060-990 FOR ANTIPAD AND ROUTING RECOMMENDATIONS.
  - GROUND PATHS ARE NOT DISCRETE CIRCUITS.
  - MARKING: LOCATED APPROXIMATELY AS SHOWN. PART NUMBER AND DATE CODE.



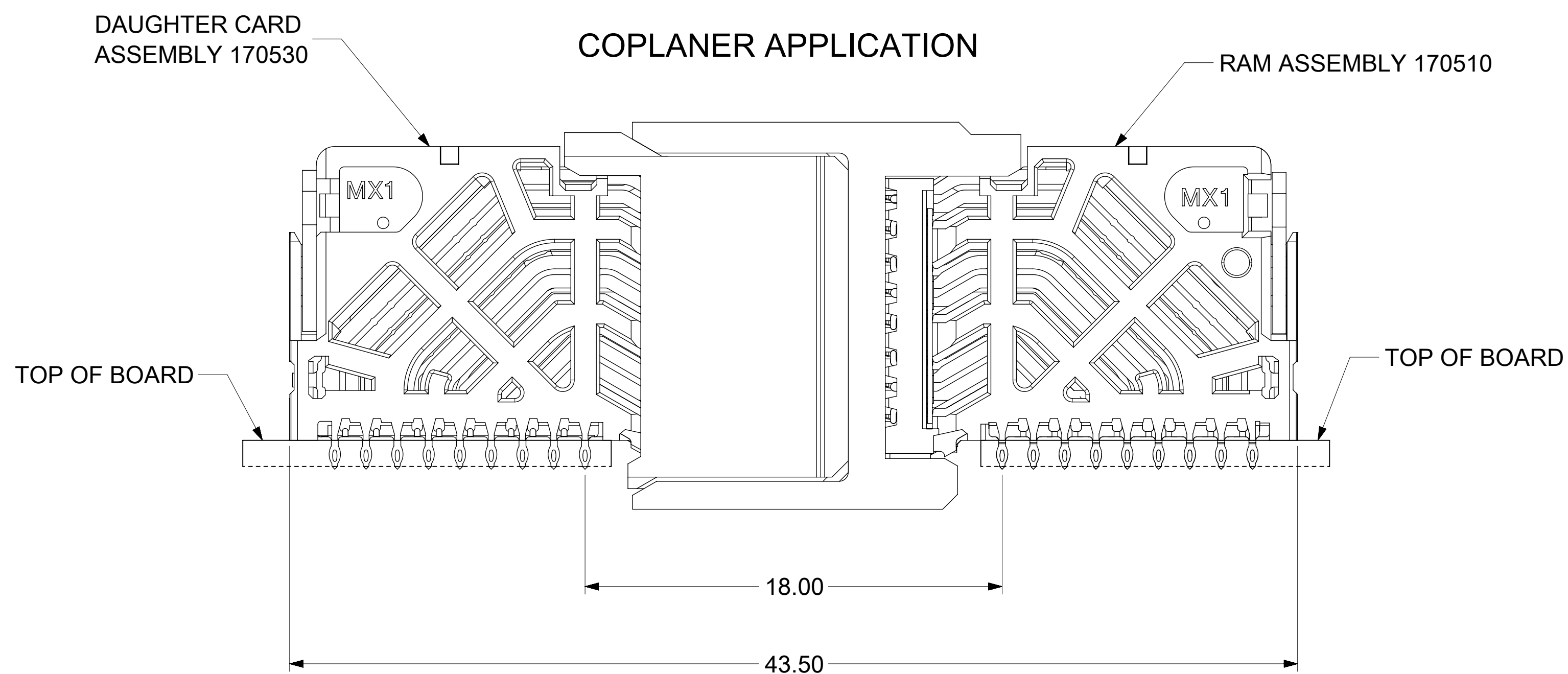
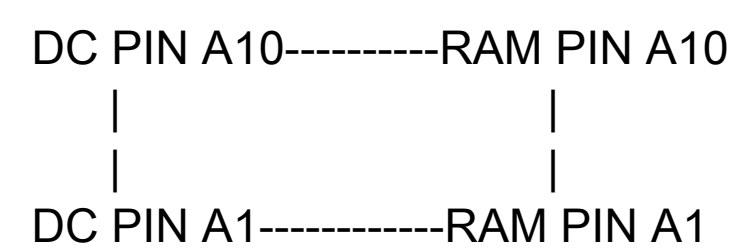
THIS DRAWING CONTAINS INFORMATION THAT IS PROPRIETARY TO MOLEX ELECTRONIC TECHNOLOGIES, LLC AND SHOULD NOT BE USED WITHOUT WRITTEN PERMISSION

DIMENSION UNITS <b>mm</b>	SCALE <b>NTS</b>	CURRENT REV DESC: REMASTERED TO NX AND UPDATED MATING RECEPTACLE DRAWING NUMBER IN NOTE 7.
GENERAL TOLERANCES (UNLESS SPECIFIED)		EC NO: 705090
ANGULAR TOL	± 0.5°	DRWN: PMAHADEVAPPA 2019/05/14
4 PLACES	±	CHK'D: TMARRI 2019/12/13
3 PLACES	±	APPR: LZENG 2022/05/13
2 PLACES	± 0.13	INITIAL REVISION:
1 PLACE	± 0.25	DRWN: MKRAUSE 2013/05/31
0 PLACES	±	APPR: MKRAUSE 2013/06/21
DRAFT WHERE APPLICABLE MUST REMAIN WITHIN DIMENSIONS	THIRD ANGLE PROJECTION	DRAWING SERIES <b>D-SIZE 170510</b>

<b>molex</b>			
IMPACT 3P 85 OHM RAM SIGNAL MODULE ASSEMBLY UNGUIDED SALES DRAWING			
PRODUCT CUSTOMER DRAWING			
DOCUMENT NUMBER	DOC TYPE	DOC PART	REVISION
<b>SD-170510-0002</b>	PSD	001	<b>A4</b>
MATERIAL NUMBER	CUSTOMER	SHEET NUMBER	
SEE CHART	GENERAL MARKET	1 OF 2	



**COPLANAR MATED SIGNAL PATHS**



**COPLANER APPLICATION**

THIS DRAWING CONTAINS INFORMATION THAT IS PROPRIETARY TO MOLEX ELECTRONIC TECHNOLOGIES, LLC AND SHOULD NOT BE USED WITHOUT WRITTEN PERMISSION

DIMENSION UNITS <b>mm</b>	SCALE <b>NTS</b>	CURRENT REV DESC: REMASTERED TO NX AND UPDATED MATING RECEPTACLE DRAWING NUMBER IN NOTE 7.	<b>molex</b>		
GENERAL TOLERANCES (UNLESS SPECIFIED)		EC NO: 705090			
ANGULAR TOL	± 0.5°	DRWN: PMAHADEVAPPA 2019/05/14	PRODUCT CUSTOMER DRAWING		
4 PLACES	±	CHK'D: TMARRI 2019/12/13	DOCUMENT NUMBER	DOC TYPE	DOC PART
3 PLACES	±	APPR: LZENG 2022/05/13	<b>SD-170510-0002</b>	PSD	001
2 PLACES	± 0.13	INITIAL REVISION:	REVISION	<b>A4</b>	
1 PLACE	± 0.25	DRWN: MKRAUSE 2013/05/31	MATERIAL NUMBER	CUSTOMER	SHEET NUMBER
0 PLACES	±	APPR: MKRAUSE 2013/06/21	SEE CHART	GENERAL MARKET	2 OF 2
DRAFT WHERE APPLICABLE MUST REMAIN WITHIN DIMENSIONS		THIRD ANGLE PROJECTION	DRAWING	SERIES	
			<b>D-SIZE</b>	<b>170510</b>	