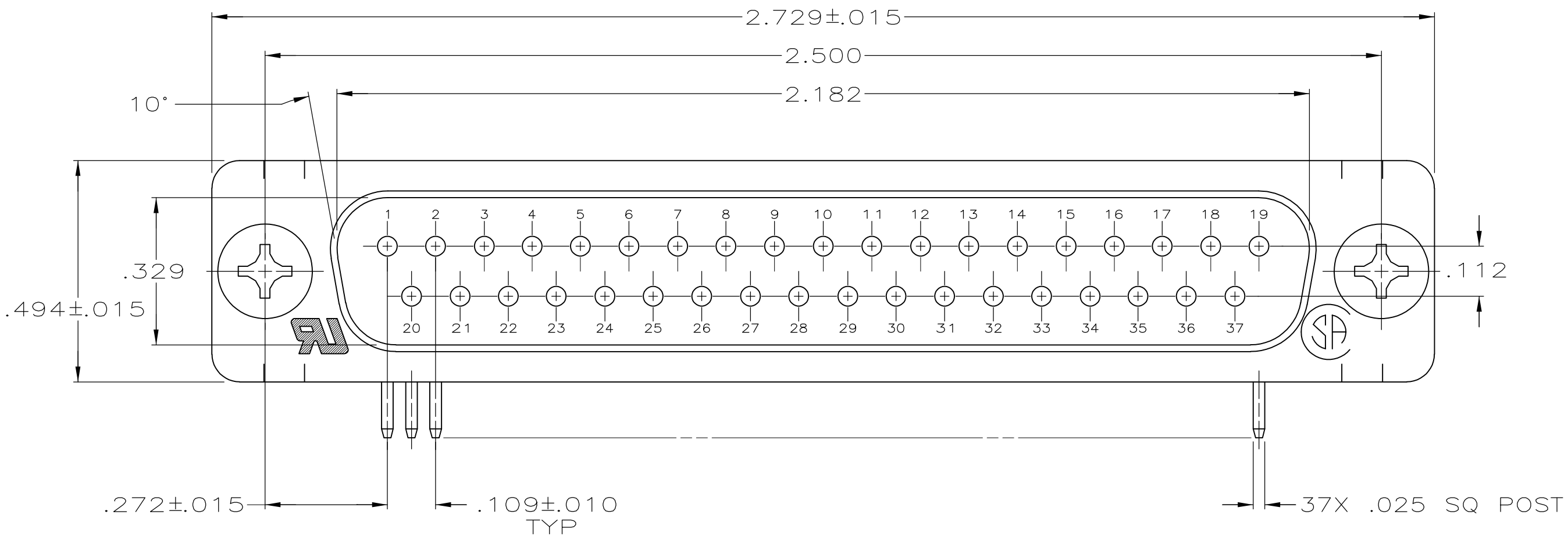
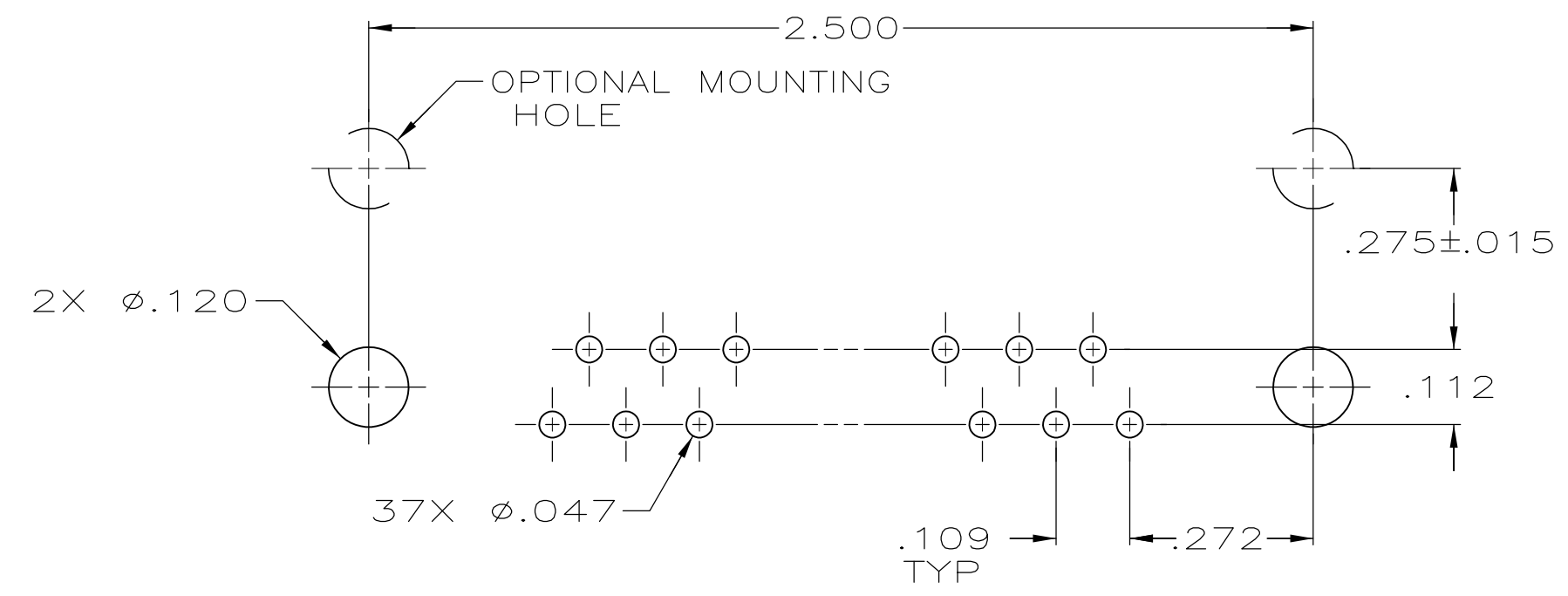
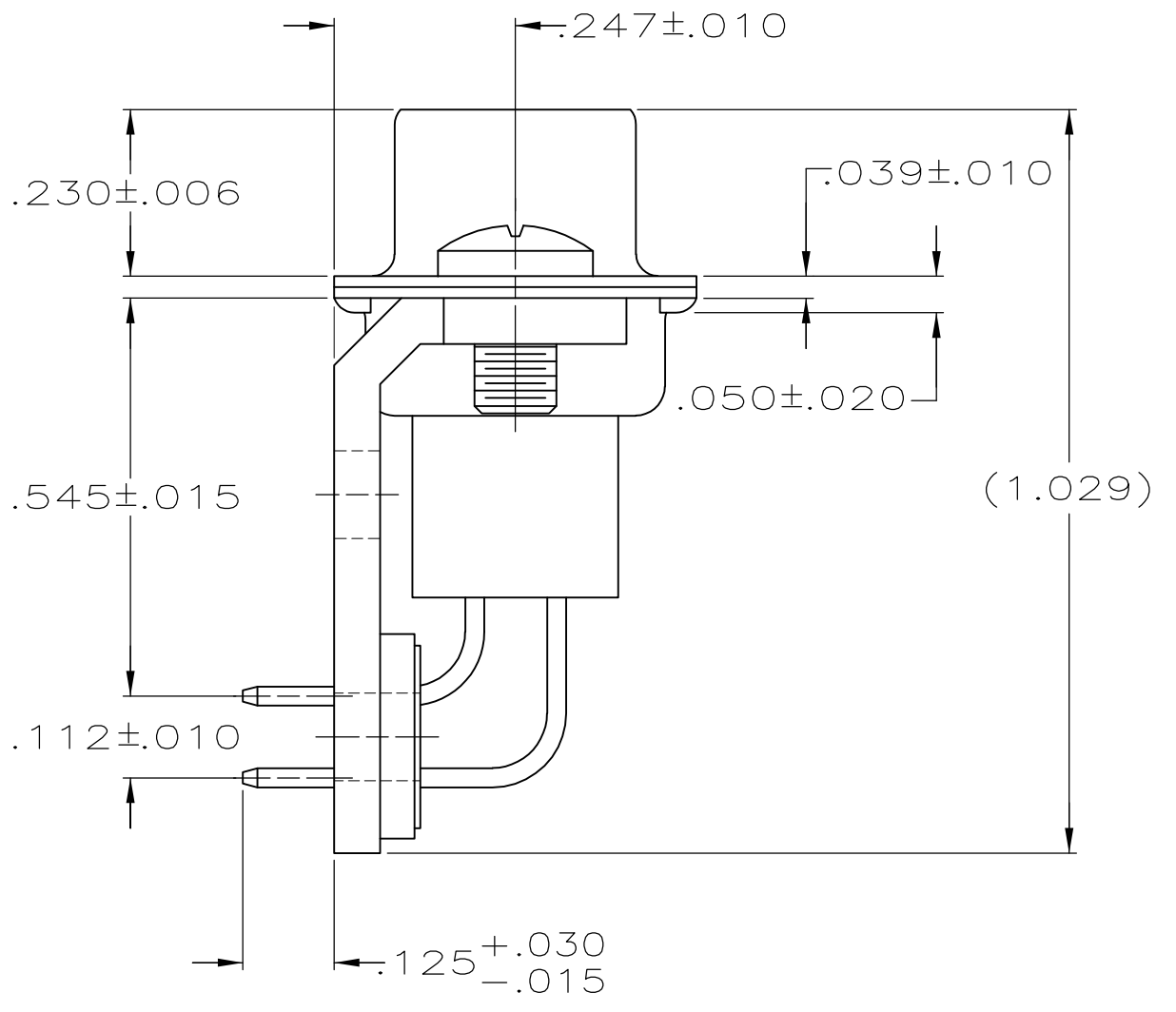
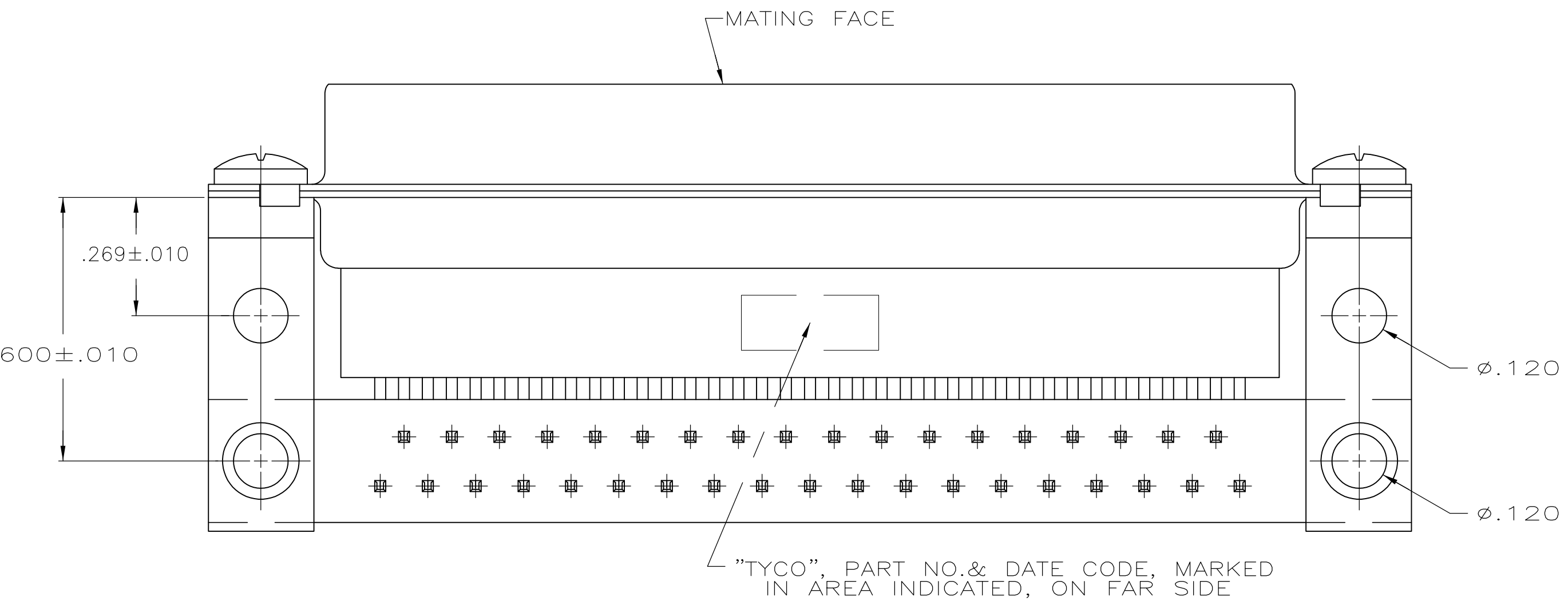


THIS DRAWING IS UNPUBLISHED. RELEASED FOR PUBLICATION
 © COPYRIGHT 2005 By - ALL RIGHTS RESERVED.

| LOC | | DIST | | REVISIONS | | | |
|-----|-----|-------------|---------------------------|-----------|------|----|--|
| P | LTR | DESCRIPTION | DATE | DWN | APVD | | |
| GP | 00 | A | REVISED PER ECO-14-011808 | 11AUG2014 | AP | SB | |



- 1 MOLDED PARTS: GLASS-FILLED PBT OR GLASS-FILLED NYLON, UL94V-0 RATED. COLOR: BLACK
SHELLS & BRACKETS: CARBON STEEL
CONTACTS: BRASS
- 2 SHELLS & BRACKETS: ZINC PLATED YELLOW CHROMATE COATING.
CONTACTS: GOLD PLATED FOR LENGTH OF .150 MIN FROM MATING END, GOLD FLASH IN MATED AREA, .000100 MIN TIN ON OPPOSITE END, BOTH OVER .000050 MIN NICKEL.



P.C. BOARD MOUNTING DIMENSIONS

5205859-1
 PART NUMBER

| | | | | | | |
|---|--|--------------------------------|-----------|---|--------------|------------|
| THIS DRAWING IS A CONTROLLED DOCUMENT. | | DWN D. HENNY 8-21-05 | | TE Connectivity | | |
| DIMENSIONS: INCHES | | CHK S. BOLASH 8-21-05 | | NAME | | |
| TOLERANCES UNLESS OTHERWISE SPECIFIED: | | APVD M. WALMSLEY 8-21-05 | | PLUG ASSEMBLY, SIZE 4, 37 POSITION, RIGHT ANGLE, 545 SERIES, .025 SQ POSTS, AMPLIMITE HDP | | |
| 0 PLC ± - 1 PLC ± - 2 PLC ± .005 3 PLC ± - 4 PLC ± - ANGLES ± 2° | | PRODUCT SPEC 108-40025 | | SIZE | CAGE CODE | DRAWING NO |
| MATERIAL | | APPLICATION SPEC 114-40013 | A2 | 00779 | C=5205859 | |
| FINISH | | WEIGHT | SCALE 4:1 | | SHEET 1 of 1 | |
| 1 2 | | CUSTOMER DRAWING | REV A | | | |

5205859-1