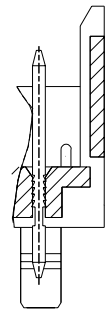
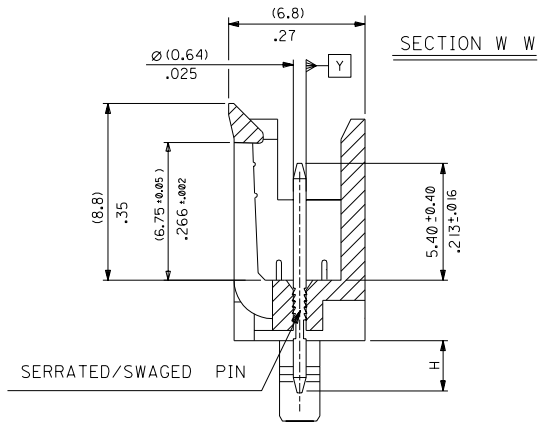
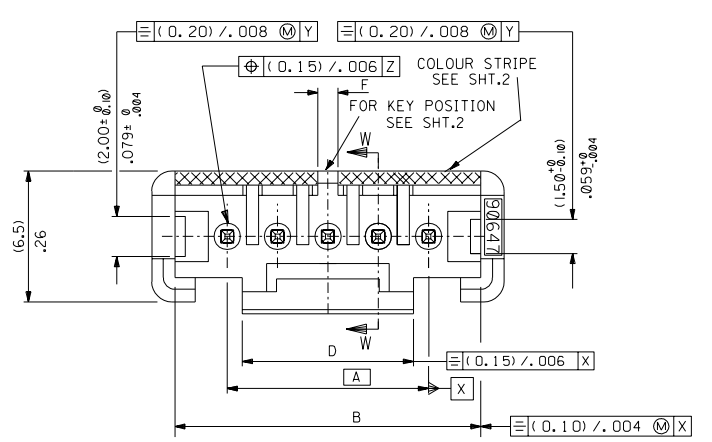
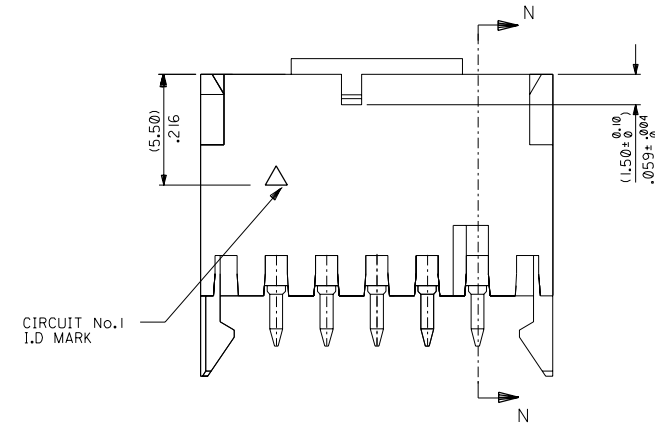
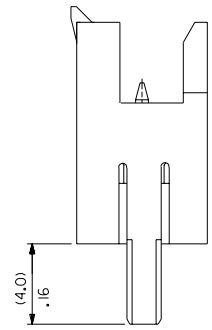
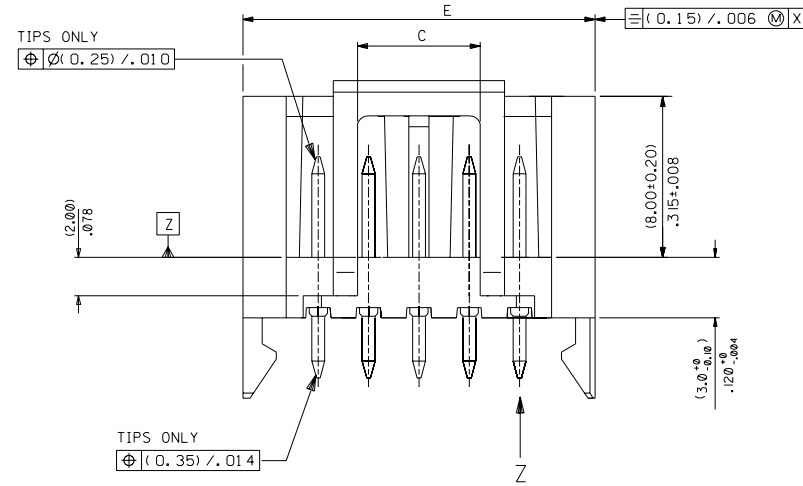


PART NO. SEE CHART  
 DWG. NO. SDA-90647



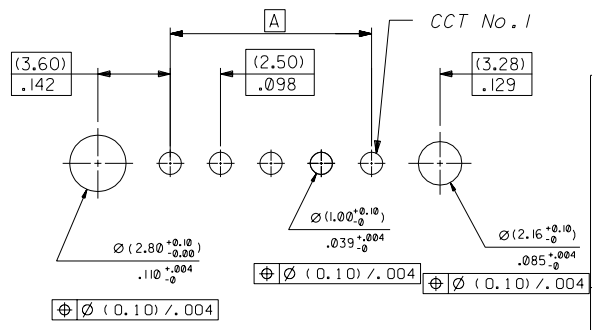
SECTION N-N  
 SKIP FEATURE AND KEYING  
 IN SAME CIRCUIT.  
 2,3 & 4 CKT. ONLY.



NOTES :

- MATERIAL;  
 HOUSING: POLYESTER, UL 94V-0, G.E VALOX 310-SE0.  
 PINS: BRASS,  
 PLATING: (3um)/.118uin MIN. TIN  
 TO 95/5 OVER (2um)/.078uin MIN. COPPER OR NICKEL.
- FOR ALL UNSTATED DIMENSIONS, COLOUR I.D AND  
 KEYING POSITIONS SEE SHEET 2.

RECOMMENDED P.C.B. HOLE LAYOUT  
 PCB LAYOUT : COMPONENT SIDE  
 PCB THICKNESS 1.50 TO 1.60.



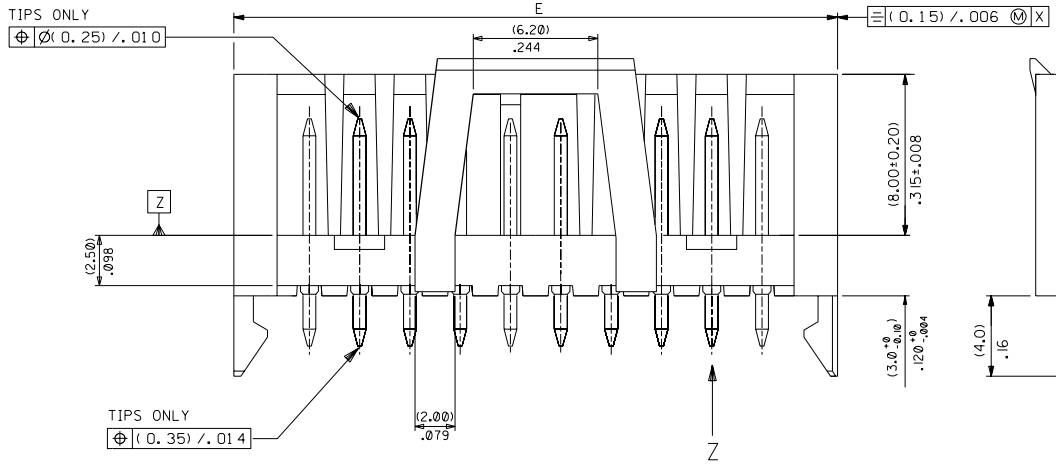
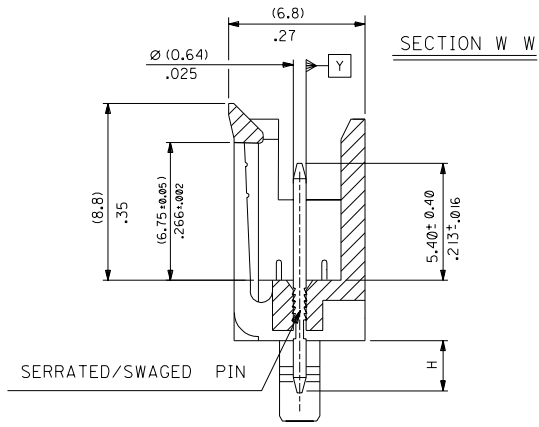
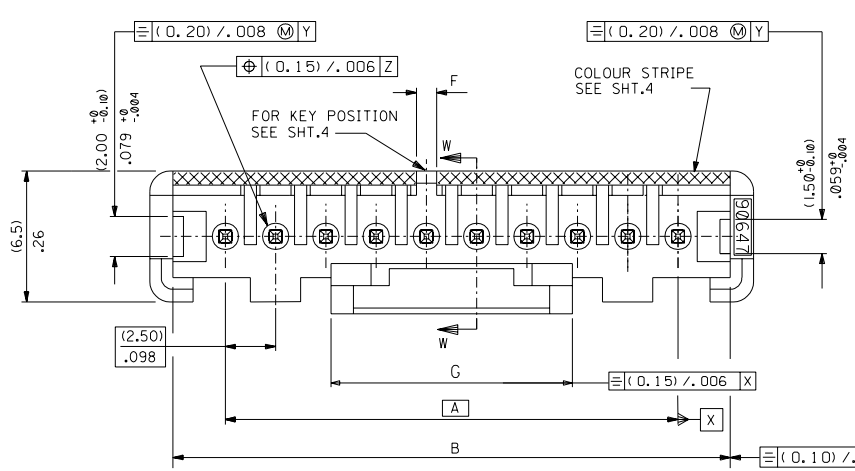
MODIFIED DIMS  
 EC NO. E2004-1124  
 DRAWN BY: RYANES 280504  
 CHK: BMAGUIRE 0406/10  
 APPR: BMAGUIRE 0406/10

REV	DESCRIPTION	MAJOR	CRITICAL

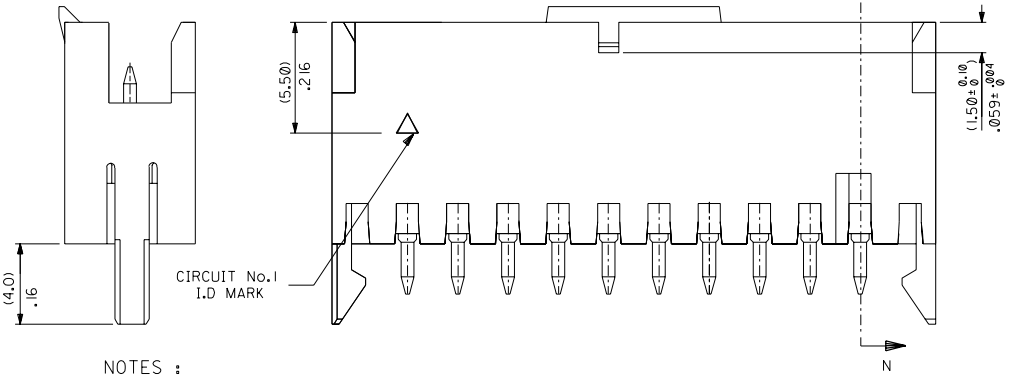
GENERAL TOLERANCES: (UNLESS SPECIFIED)	
mm	INCH
4 PLACES ±0.	±.
3 PLACES ±0.	±.006
2 PLACES ±0.15	±.008
1 PLACE ±0.25	±.
ANGULAR: #/2 °	
DRAFT WHERE APPLICABLE MUST REMAIN WITHIN DIMENSIONS	

SCALE 4:1	DESIGN UNITS <input type="checkbox"/> mm <input type="checkbox"/> INCH	THIRD ANGLE PROJECTION	DIMENSIONS: <input checked="" type="checkbox"/> mm <input type="checkbox"/> INCH <input type="checkbox"/> mm <input type="checkbox"/> ONLY	SHT 4	REV L
DRAWN BY & DATE POB 13/10/90		TITLE: 2.5mm Uf Hdr W+B Vt Ltc (2-5Ckt only)		REVISE ON CAD ONLY	
CHECKED BY & DATE BM 13/10/90		APPROVED BY & DATE MW 13/10/90		MATERIAL NO. SEE CHART	
CAD FILENAME S90647X1.DGN		DRAWING NO. SDA-90647		SHEET NO. 10F 4	
THIS DRAWING CONTAINS INFORMATION THAT IS PROPRIETARY TO MOLEX INCORPORATED AND SHOULD NOT BE USED WITHOUT WRITTEN PERMISSION.					
					SIZE B

PART NO. SEE CHART  
 DWG. NO. SDA-90647E

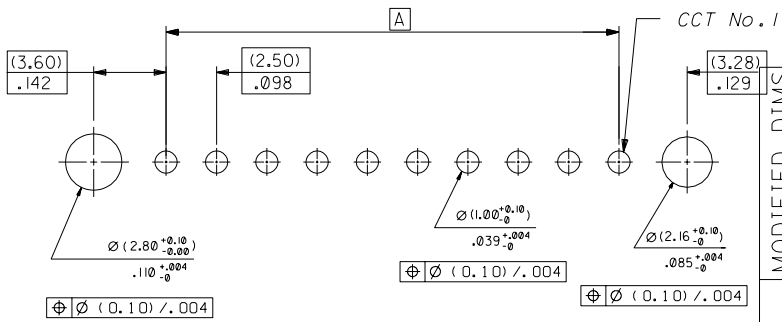


RECOMMENDED P.C.B. HOLE LAYOUT  
 SEEN FROM SOLDER SIDE OF P.C.B.  
 PCB THICKNESS 1.50 TO 1.60.



NOTES :

1. MATERIALS;  
 HOUSING: 15% GF NATURAL (WHITE) POLYESTER, RATED UL 94V-0  
 PINS: BRASS.  
 PLATING: (3um) / .118uin MIN. TIN  
 TO 95/5 OVER (2um) / .078uin MIN. COPPER OR NICKEL.
2. FOR ALL UNSTATED DIMENSIONS, COLOUR I.D AND  
 KEYING POSITIONS SEE SHEET 4.



MODIFIED DIMS  
 EC NO. E2004-1124  
 DRWN: DBYRNES 18/05/04  
 CHK: BMAGUIRE 28/05/04  
 APPR: BMAGUIRE 28/05/04

QUALITY SYMBOLS  
 MAJOR =  
 CRITICAL =

REV	DESCRIPTION	GENERAL TOLERANCES: (UNLESS SPECIFIED)	
		mm	INCH
	4 PLACES	±0.	±.
	3 PLACES	±0.	±.006
	2 PLACES	±0.15	±.008
	1 PLACE	±0.25	±.
	ANGULAR: ±1/2 °		

SCALE 4:1	DESIGN UNITS <input type="checkbox"/> mm <input type="checkbox"/> INCH	THIRD ANGLE PROJECTION <input checked="" type="checkbox"/> THIRD ANGLE
DRAWN BY & DATE DOS 94/05/18		
CHECKED BY & DATE BM 94/05/18		
APPROVED BY & DATE MW 94/05/18		
CAD FILENAME S90647X3.DGN	MATERIAL NO. SEE CHART	DRAWING NO. SDA-90647

DIMENSIONS: <input checked="" type="checkbox"/> mm <input type="checkbox"/> INCH <input type="checkbox"/> mm <input type="checkbox"/> ONLY		SHT REV
TITLE: 2.5mm UF Hdr W+B V+ Ltc (6-20ck+ only)		REVISE ON CAD ONLY
MOLEX INCORPORATED		
SHEET NO. 30F4		

DRAFT WHERE APPLICABLE MUST REMAIN WITHIN DIMENSIONS  
 THIS DRAWING CONTAINS INFORMATION THAT IS PROPRIETARY TO MOLEX INCORPORATED AND SHOULD NOT BE USED WITHOUT WRITTEN PERMISSION.