

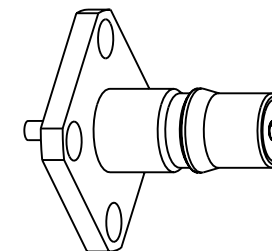
NOTES:

1. MATERIALS AND FINISHES:  
 BODY - BRASS, GOLD PLATING (.000010 THICK MIN) OVER WHITE BRONZE  
 CONTACT - BeCu, GOLD PLATING (.000030 THICK MIN) OVER WHITE BRONZE  
 INSULATOR - PTFE
2. ELECTRICAL:  
 A. IMPEDANCE: 50 OHM  
 B. FREQUENCY RANGE: DC - 6 GHz  
 C. VSWR(RETURN LOSS): -32 dB TO 3 GHz MAX.; -25 dB TO 6 GHz MAX.
3. MECHANICAL:  
 A. DURABILITY: 500 CYCLES MIN.  
 B. TEMPERATURE RANGE: -65°C - +165°C  
 C. CENTER CONTACT MUST WITHSTAND A 6LB. MIN AXIAL FORCE AND A 4IN. OZ. MIN. TORQUE
5. PACKAGING:  
 A. QUANTITY: SINGLE PACK  
 B. MARKING: BAG TO BE MARKED  
 "AMPHENOL, 930-132J-51S, AND DATE CODE"

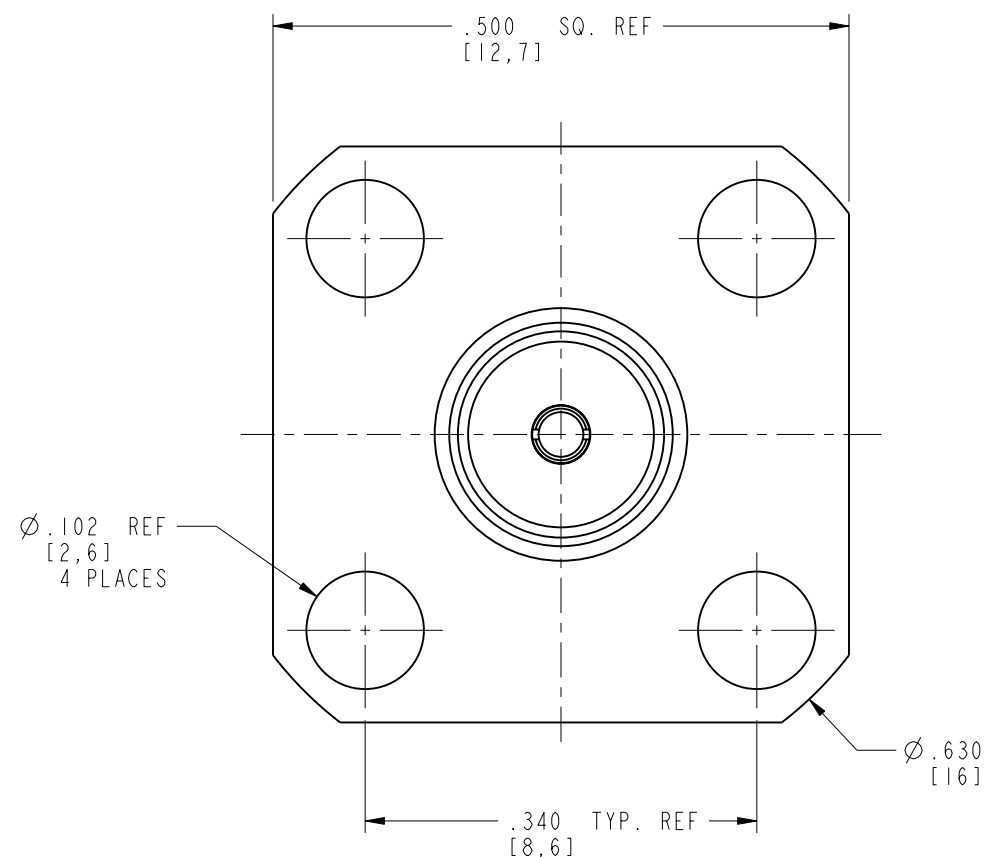
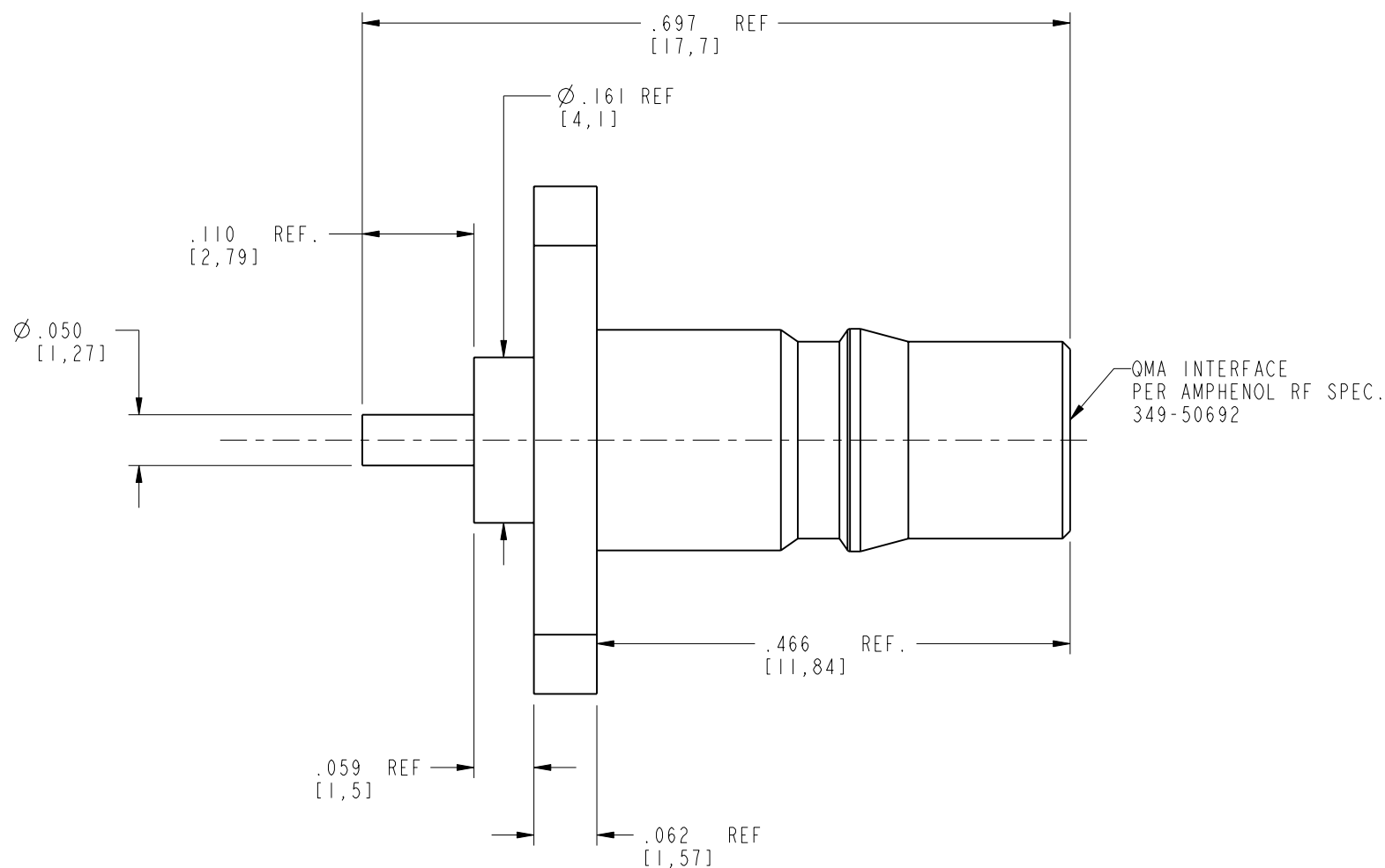
930-132J-51S		REVISIONS			
DRAWING NO.	REV	DESCRIPTION	DATE	ECO	APPR
THIRD ANGLE PROJ.	A	ENGINEERING PROTOTYPE	2/10/04	44814	KJC

## CUSTOMER OUTLINE DRAWING

ALL OTHER SHEETS ARE FOR INTERNAL USE ONLY



SCALE 2.000



UNLESS OTHERWISE SPECIFIED, DIMENSIONS ARE IN INCHES AND TOLERANCES ARE:  
 2 PLACE DECIMAL 3 PLACE DECIMAL ANGLES  
 ±.015 (0,381 mm) ±.005 (0,127 mm) ± 1°

NOTICE - These drawings, specifications, or other data (1) are, and remain the property of Amphenol Corp. (2) must be returned upon request; and (3) are confidential and not to be disclosed to any person other than those to whom they are given by Amphenol Corp. The furnishing of these drawings, specifications, or other data by Amphenol Corp., or to any other person to anyone for any purpose is not to be regarded by implication or otherwise in any manner licensing, granting rights or permitting such holder or any other person to manufacture, use or sell any product, process or design, patented or otherwise, that may in any way be related to or disclosed by said drawings, specifications, or other data.

MATERIAL

REFERENCE  
 EAR #1153  
 615X-1853-300  
 ASSYF4\_QMA

DRAWN	DATE
K. CAPOZZI	8/13/03
ENGINEER	DATE
K. CAPOZZI	8/13/03
APPROVED	DATE
O. BARTHELMES	2/10/04
CAD FILE	
I:\QMA\930-132J-51S	

TITLE

QMA PANEL  
RECEPTACLE

CODE ID	DWG SIZE	DRAWING NO.
74868	B	930-132J-51S

**Amphenol RF**  
 Danbury, CT, USA  
 Tainan, Taiwan  
 Shenzhen, China  
[www.amphenolrf.com](http://www.amphenolrf.com)

SCALE: 6.0:1 SHEET 2 OF 2

REV  
A