

Type LPS-12 In-Line Fuse Holder Low Profile Mini Auto Blade Fuses Splashproof Type



www.optifuse.com (619) 593-5050

Ratings:

Fuse Type: Low Profile Miniature Auto Blade - APSs, ANSs
Electrical Rating: 58VDC
Body: PVC
Cap: Water Resistant Type
IP Rating: IP66
Wire Size: #12 ~ 20 AWG
Wire Color: Red
Body Color: Clear (for Indicating Fuses)
Wire Length: 6 inches; UL 1015 105°C

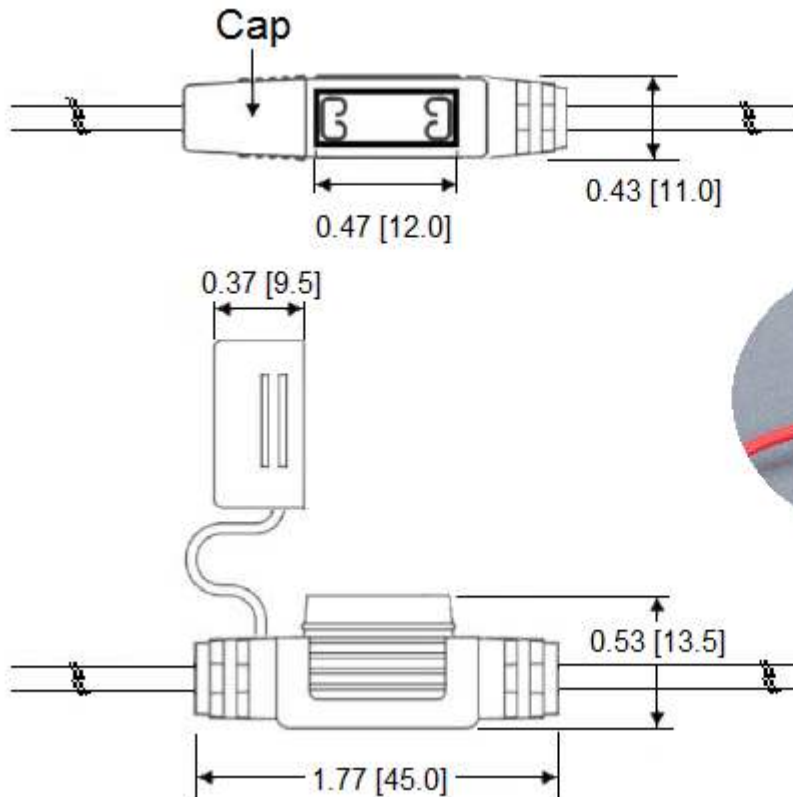
Part number format

LPS-12C-##R

Where ## = Wire Gauge

Wire Gauge	Max. Amperage
#12	30A
#14	20A
#16	15A
#18	10A
#20	7.5A

Mechanical Dimensions: Inches [mm]



Warning:



-Operation beyond the specified maximum ratings or improper use may result in damage and possible electrical arcing and/or flame.
 -Avoid contact of device with chemical solvent. Prolonged contact may damage the device performance.
 -Not designed for prolonged liquid exposure or submersible applications.