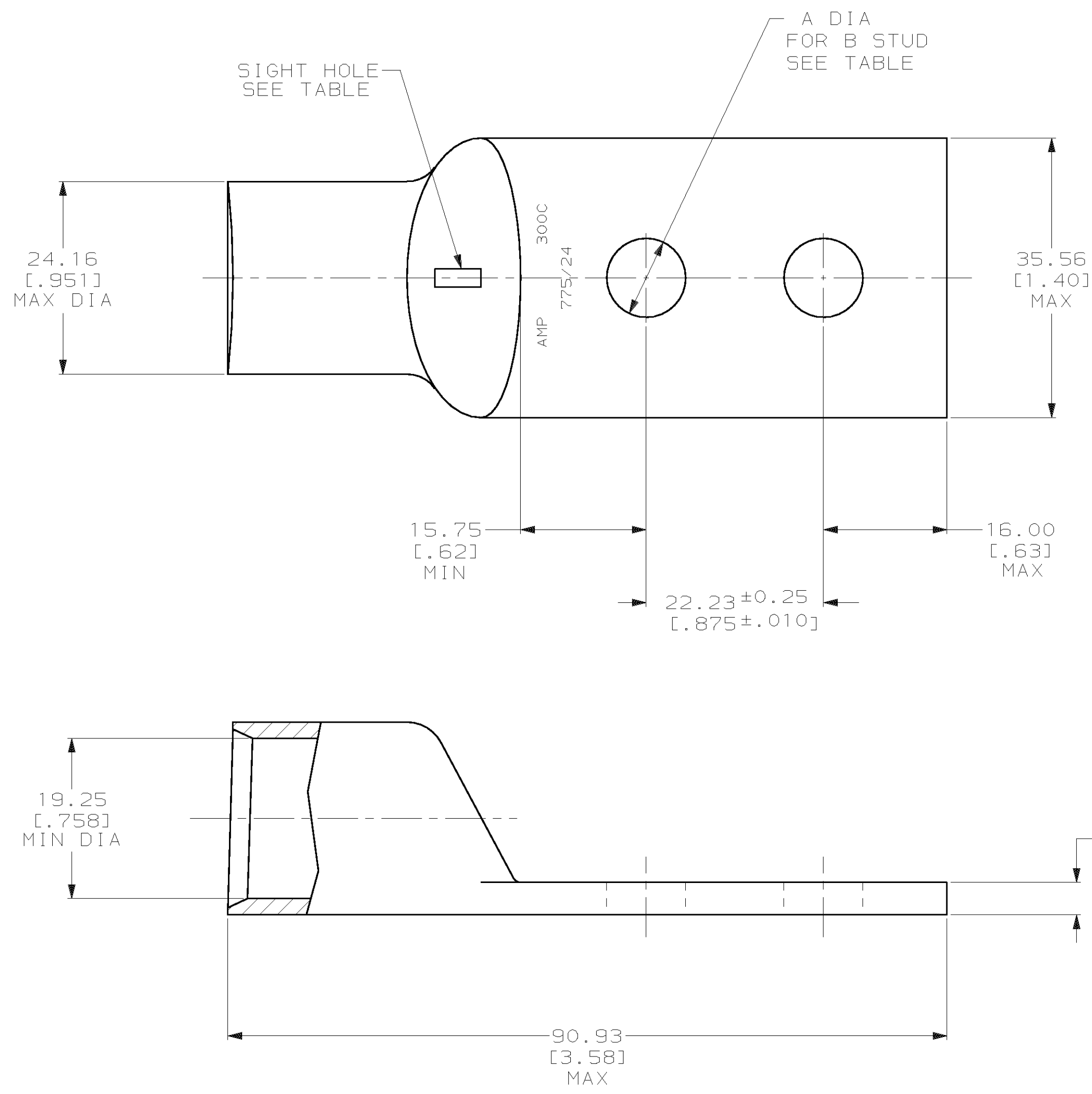


THIS DRAWING IS UNPUBLISHED. RELEASED FOR PUBLICATION
 © COPYRIGHT 19 BY AMP INCORPORATED. ALL INTERNATIONAL RIGHTS RESERVED.

LOC		DIST		P		F		REVISIONS		DATE	APPD
G	86					ZONE	LTR	DESCRIPTION			
							E	REV PER 063A-0561-01	07OCT02	JR	MS



1 CIRCULAR MIL AREA RANGE: 275-325 MCM
 2 TIN PL 0.00381 [0.00150] MIN THK PER MIL-T-10727

WEIGHT	SIGHT HOLE	A	B	PART NO
.208 lbs	REQD	9.91 [0.390]	3/8	276917-2
.211 lbs	NONE	8.33 [0.328]	5/16	276917-1

DO NOT SCALE PRINT. UNLESS SPECIFIED DIMENSIONS IN mm [INCHES] TOLERANCES ON : 2 PLC DEC ± 0.51 [0.020] 3 PLC DEC ± - ANGLES ± -	DR 03/09/90 DK SCHRUM	AMP INCORPORATED Harrisburg, Pa. 17105	
	CHK 23JAN95 MS FEHER		
MATERIAL	APPD 23JAN95 TL SHUTTER	NAME	
ANNEALED COPPER ASTM B-75	PRODUCT SPEC 108-30200	TERMINAL, AMPOWER, WIRE SIZE: 300 MCM	
FINISH	APPLICATION SPEC	SIZE	CAGE CODE
	-	C	00779
	WEIGHT -	SCALE	DRAWING NO
		2:1	276917
			SHEET 1 OF 1

