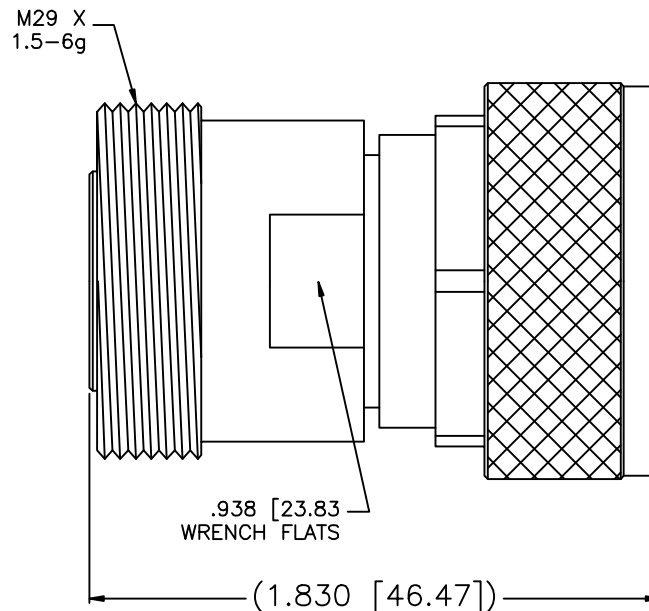


PART NO.

**RFD-1660-WB**

REV	DESCRIPTION	DWN	DATE	APPROVED
-	ENGINEERING RELEASE	CZS	01/12/12	JDMc

SPECIFICATIONS:

IMPEDANCE: 50 OHMS  
 FREQUENCY RANGE: DC-7.5 GHz  
 VSWR MAX: <1.10:1 @ DC-7.5 GHz  
 INSERTION LOSS: -.01 dB √ FREQUENCY GHz  
 3rd ORDER IM <-155 dBc

9	SHELL	1	BRASS	WHITE BRONZE
8	O RING	1	S.I. RUBBER	---
7	GROUND RING	1	BRASS	WHITE BRONZE
6	GROUND RING	1	BRASS	WHITE BRONZE
5	INSULATOR	2	PTFE	---
4	PIN	1	BRASS	WHITE BRONZE
3	CONTACT SHAFT	1	BRASS	WHITE BRONZE
2	CONTACT	1	BeCu	WHITE BRONZE
1	BODY	1	BRASS	WHITE BRONZE
#	DESCRIPTION	QTY	MATERIAL	FINISH

CUSTOMER  
OUTLINE DRAWINGALL DIMENSIONS  
ARE REFERENCE ONLYUNLESS OTHERWISE SPECIFIED:  
DIMENSIONS ARE IN INCHES  
AND [MILLIMETERS]DRAWN  
C. ZUNIGA 01/12/12  
CHECKEDORJ DRAWN  
C. ZUNIGA 02/27/97

PROPRIETARY AND CONFIDENTIAL  
 THIS DRAWING CONTAINS  
 INFORMATION PROPRIETARY TO  
 RF INDUSTRIES. ANY  
 UNAUTHORIZED USE OF THIS  
 DRAWING IS EXPRESSLY  
 PROHIBITED WITHOUT WRITTEN  
 PERMISSION FROM RF  
 INDUSTRIES. ANY VIOLATION IS  
 PUNISHABLE UNDER U.S.  
 COPYRIGHT LAWS.

**RFconnectors**  
 DIVISION OF RF INDUSTRIES, LTD.

7610 MIRAMAR RD.  
 SAN DIEGO, CA 92126  
 (858) 549-6340  
 (858) 549-6345 FAX

**7-16 DIN JACK TO  
 7-16 DIN PLUG**

SIZE	CABLE GROUP	DWG NO.	REV
A	N/A	<b>RFD-1660-WB</b>	---
SCALE:	ENGINEERING ID:	SHEET 1 OF 1	
NTS	000000		