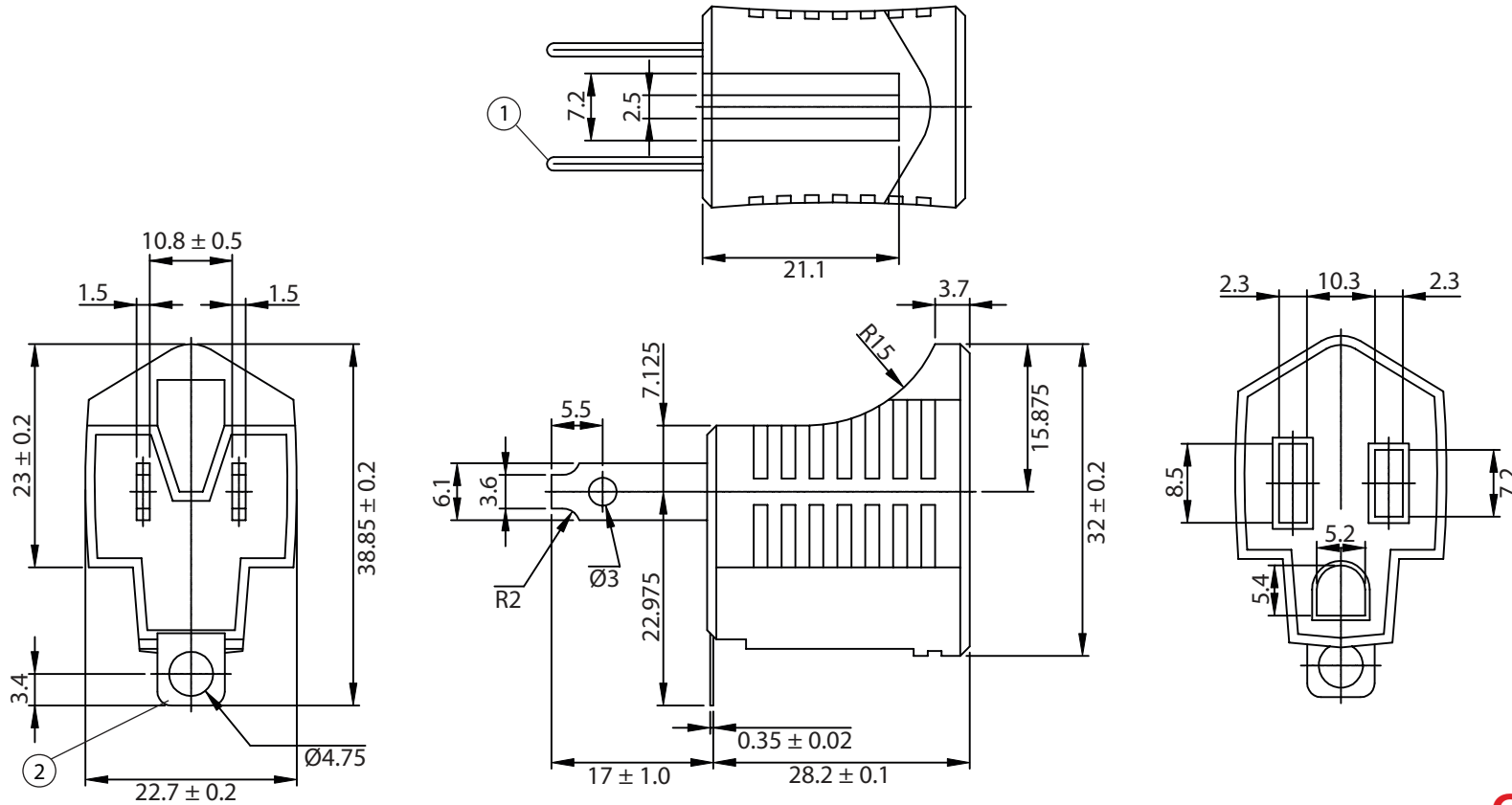


THESE DRAWINGS ARE THE PROPERTY OF QUALTEK ELECTRONICS AND NOT TO BE REPRODUCED FOR OR COMMUNICATED TO A THIRD PARTY WITHOUT THE EXPRESS WRITTEN PERMISSION OF AN OFFICER OF QUALTEK ELECTRONICS.

REVISION			
REV.	DESCRIPTION	DATE	APPROVED
B	RoHS Compliancy	06-01-06	DP



**CONTROLLED**

NOTES:

RATING: 15A 125V AC  
 APPROVALS: UL, CSA  
 RoHS COMPLIANT

2	Terminal Nickel Coating	1			
1	Terminal Copper Coating	2			
Dim range (mm)		Tolerance +/- (mm)		<b>Qualtek Electronics Corp.</b> PPC DIVISION Part Number: <b>738W-E/01</b> <span style="border: 1px solid green; padding: 2px;">RoHS Compliant</span>	
0-1	0.15	Description:			
1-6	0.20	AC RECEPTACLE		UNIT: mm	REV. B
6-18	0.30	Drawn / Date	Checked / Date	Approved / Date	
18-50	0.50	K.Huang	11-21-98	JH / 11-21-98	
50-120	0.70				
120-250	0.90				
250-500	1.20				