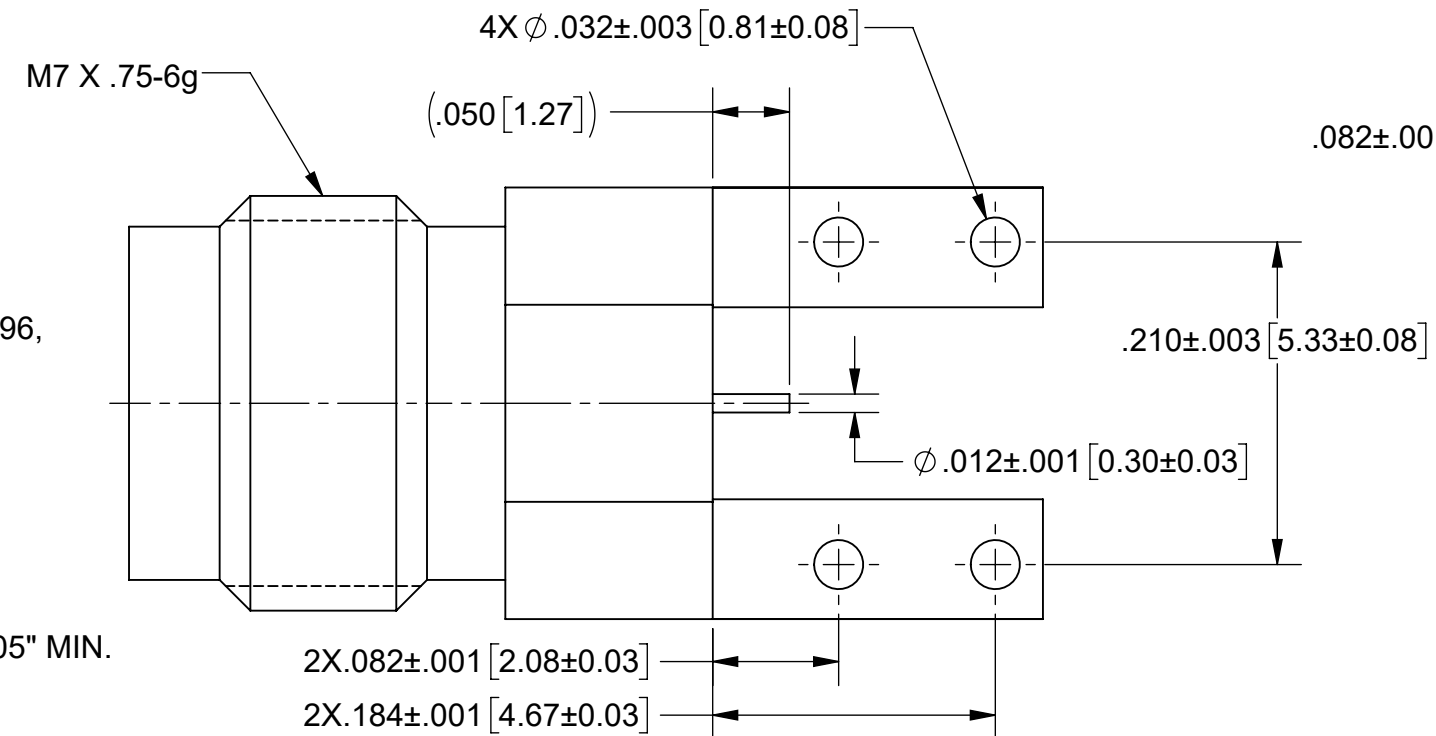
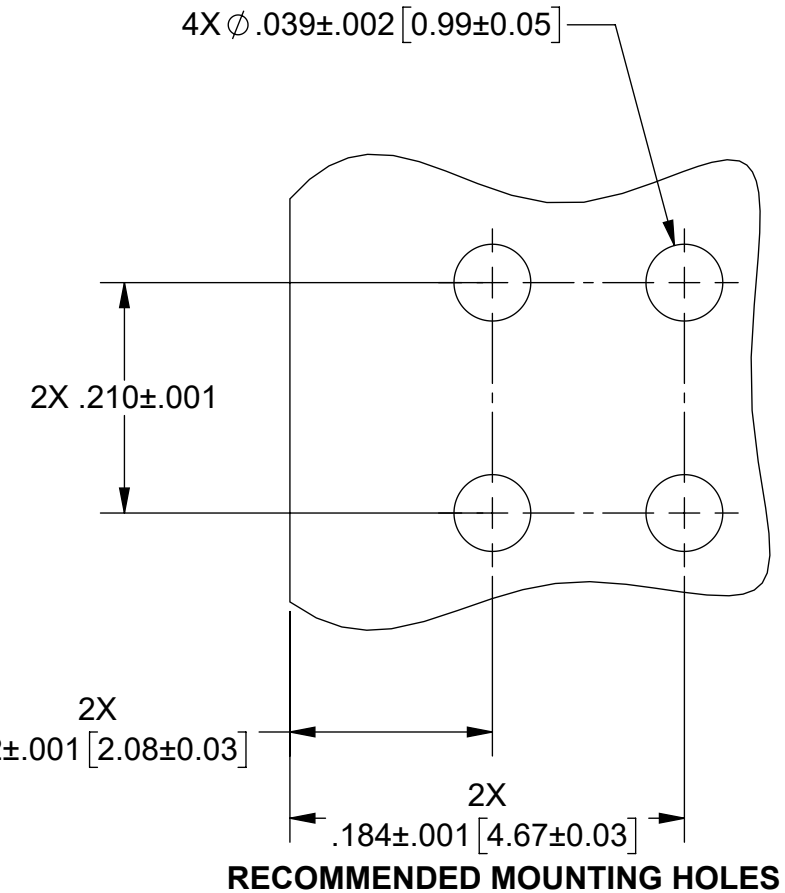
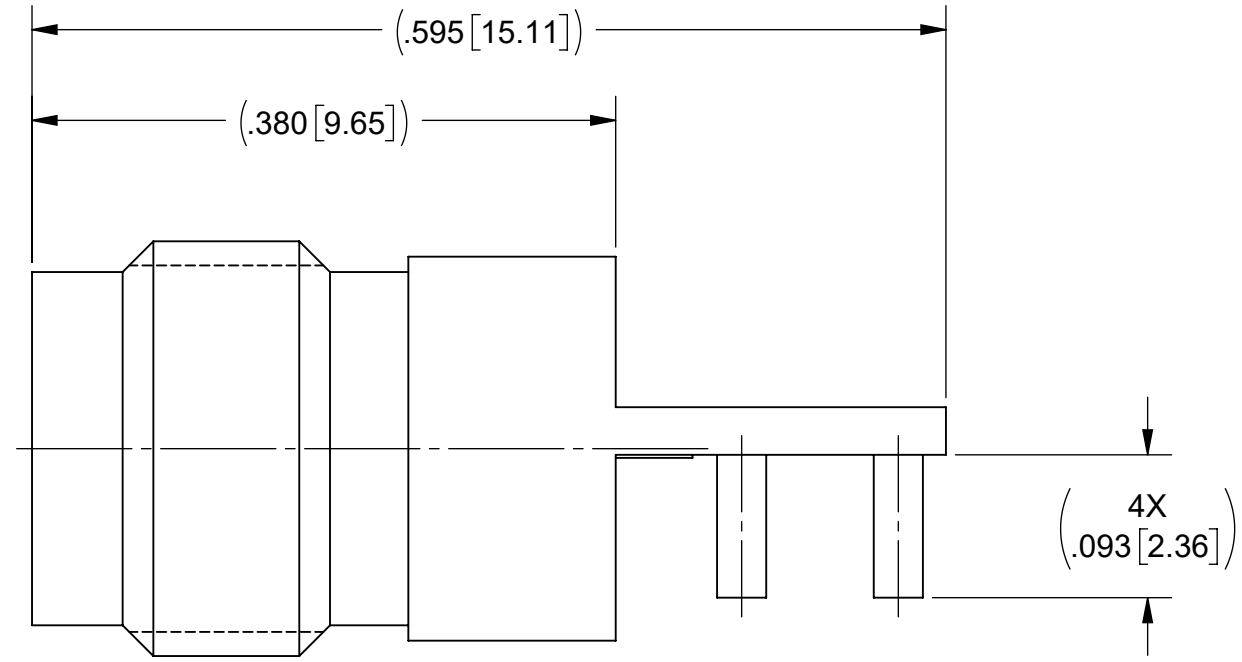
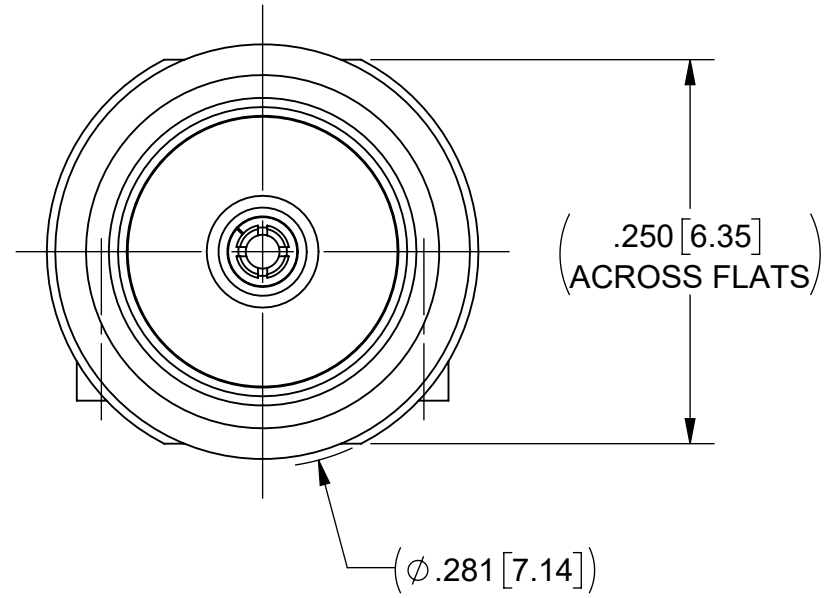


# PRODUCT DATA DRAWING

REVISION HISTORY			
REV	DESCRIPTION	DATE	APPROVED
-	NRN 46036	06/21	SEE PDM



**MATERIAL:**

**BODY & INSERT:** STAINLESS STEEL PER AMS-5640, ALLOY UNS S30300, TYPE 1; OR ASTM A582 TYPE 303, COND. A

**CONTACT:** BERYLLIUM COPPER PER ASTM B196, ALLOY No. UNS C17300, TD04

**INSULATOR:** PCTFE PER ASTM D1430

**FINISH:**

**BODY, CONTACT, & INSERT:** GOLD PER ASTM B 488, TYPE II, CODE C, CLASS .76, OVER NICKEL PER AMS-QQ-N-290, CLASS 1, .00005" MIN.

**PERFORMANCE:**

**IMPEDANCE:** 50 OHMS  
**FREQ. RANGE:** DC TO 67.0 GHz.  
**VSWR:** 1.33:1 MAX. DC TO 67.0 GHz.

**NOTES:**  
 1. FOR RECOMMENDED FOOTPRINT TO YOUR SPECIFIC PCB, CONTACT SV MICROWAVE SALES DEPARTMENT (sales@svmicro.com, 561-840-1800).

<b>MATERIAL:</b> SEE NOTES	<b>DIMENSIONS ARE IN INCHES TOLERANCES:</b> FRACTIONAL: ±1/64 ANGULAR: X° ±1'0" X"X' ±15'	<b>UNLESS OTHERWISE SPECIFIED</b> 1) ALL DIMENSIONS ARE IN INCHES (MILLIMETERS) 2) ALL DIMENSIONS ARE AFTER PLATING. 3) BREAK CORNERS & EDGES .005 R. MAX. 4) CHAM. 1ST & LAST THREADS. 5) SURFACE ROUGHNESS 63-MIL-STD-10. 6) DIA: 'S ON COMMON CENTERS TO BE CONCENTRIC WITHIN .005 T.I.R. 7) REMOVE ALL BURRS	 <b>TITLE:</b> 1.85mm STR. F PCB EDGE LAUNCH CONNECTOR
<b>FINISH:</b> SEE NOTES	DECIMAL: X ±.030 .XX ±.010 .XXX ±.005  INTERPRET DIMENSIONS AND TOLERANCES PER ASME Y14.5M - 1994	<b>DRAWN:</b> JPM 06/15/21 <b>CHECKED:</b> SEE PDM <b>APPROVED:</b> SEE PDM	
<b>SURFACE AREA:</b> N/A	<b>THIRD ANGLE PROJECTION</b>		<b>SHEET 1 OF 1</b>