



CLIPLITE Midget Flange Relampable Indicator Lights



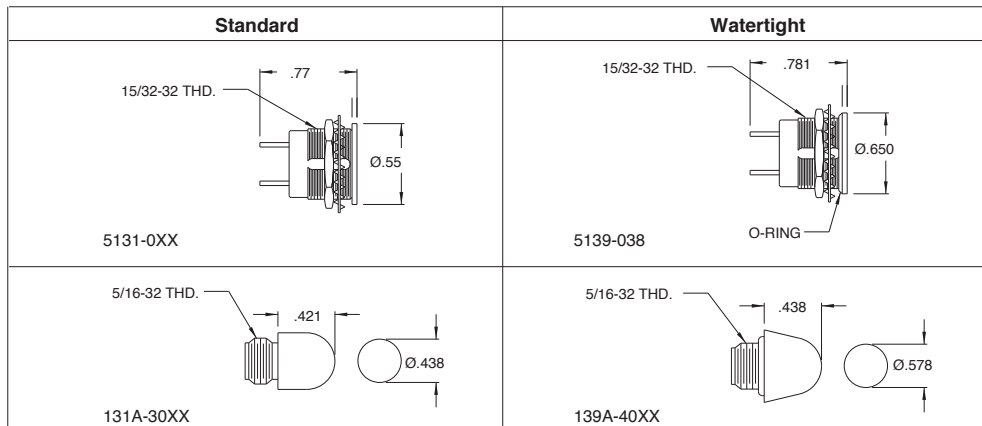
Midget Flange Indicator Lights are versatile, industry standard, front panel indicator lights capable of accepting any T-1 3/4 midget flange base lamp. These high quality indicators provide reliable service in a vast array of commercial and military applications (conforming to MIL-L-3661). Lamps are easily replaced from the front panel. These indicator lights are available in both a standard configuration and a watertight configuration providing reliable status indication in the most demanding of environments. The lamp is not included with this indicator light; please order the required lamp separately.

Lens Specifications

Standard	Watertight	Description
131A-303R	139A-403R	Transparent Red
131A-303A	139A-403A	Transparent Amber
131A-303G	-	Translucent Dark Green
131A-303C	139A-403C	Transparent Clear
131A-304R	139A-404R	Translucent Red
131A-304Y	139A-404Y	Translucent Yellow
131A-304G	139A-404G	Translucent Light Green
131A-304W	139A-404W	Translucent White

Panel Mount Indicator Specifications

Mounting Hole:	.484", 5131 Type has a keyed flange anti-rotation feature, 5139 Type features a flat "D" hole mounting
Mounting Centers:	.750"
Maximum Panel Thickness:	5131 type: .265", 5139 type: .188"
Housing/Material:	Black anodized aluminum (suffix -038). Clear anodized aluminum (suffix -032)
Lugs:	Brass, center contact terminal marked +
Hex Nut:	Cadmium plated steel
Lockwasher:	Cadmium plated steel
Lens:	Lexan
Lens Shank:	Nickel plated brass
Electrical rating:	30 Volts, up to 1.26 Watt, 0.5A max. current.



All dimension in inches.