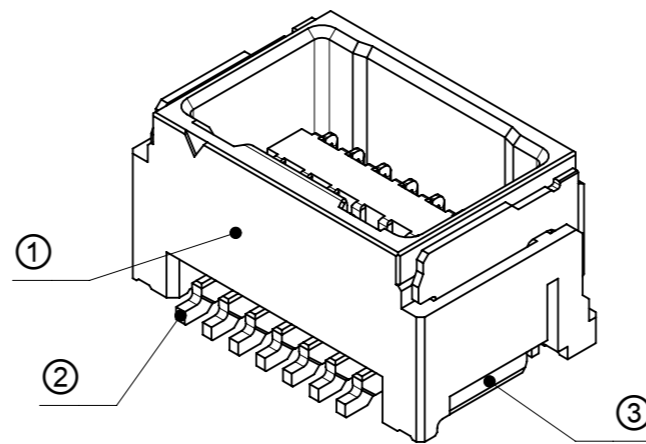
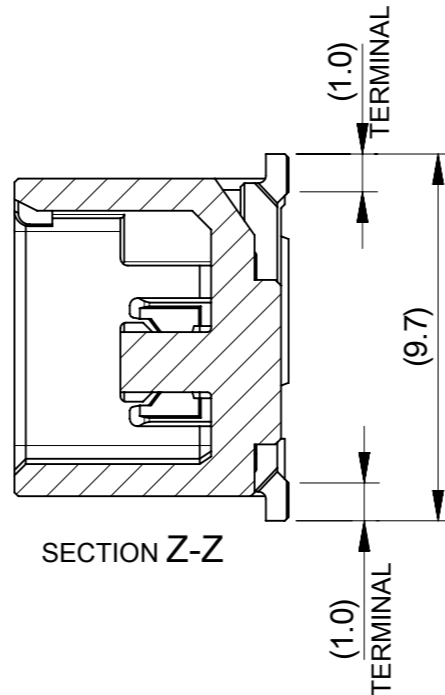
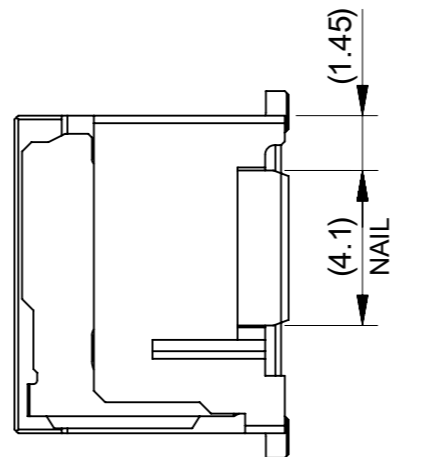
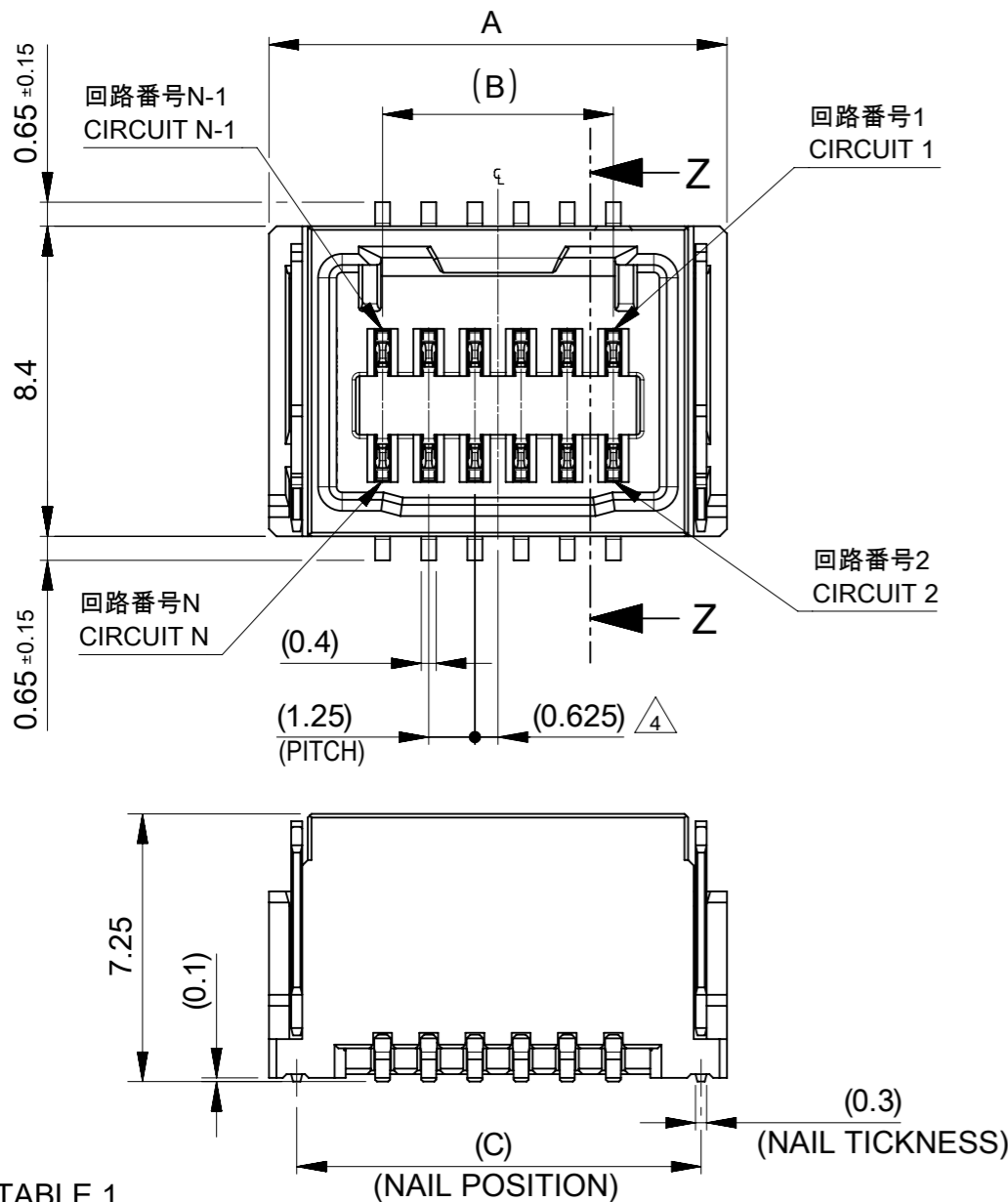


回路番号1マーク
CIRCUIT 1 MARK



注記：
NOTES：

- ① 材料及び仕上げ(めっき仕様)：TABLE 1, TABLE2 参照
MATERIAL AND FINISHES (PLATING SPECIFICATION)：SEE TABLE 1, TABLE2.
- ② 製品仕様書、コネクタ取扱説明書、適合嵌合相手、適合リテーナーはSHEET 5を
ご参照下さい。
PLEASE REFER TO SHEET 5 FOR PRODUCT SPECIFICATION,
APPLICATION SPECIFICATION, MATE WITH AND APPLICABLE RETAINER.
- 3. 端子テール部 及び ネイルの平坦度：0.12 MAXIMUM
TAIL AND NAIL COPLANARITY TO BE 0.12 MAXIMUM
- ④ 極数 / 2 = 偶数に適合
APPLY TO CIRCUIT SIZE / 2 = EVEN.
- ⑤ 発注番号：SHEET 5 参照
ORDER NUMBER：PLEASE REFER TO SHEET 5



207760****

| 番号 NO. | カバーテープ COVER TAPE | 番号 NO. | ハウジングカラー HOUSING COLOR |
|-----------|----------------------|-----------|----------------------------|
| 7 | 無 WITHOUT | 0 | ナチュラル(白) NATURAL(WHITE) |
| 8 | 有 WITH | 1 | 黒 BLACK |
| | | 2 | 赤 RED |
| | | 3 | 黄 YELLOW |
| | | 4 | 青 BLUE |

④ TABLE 1

| 番号 NO. | 部品 PART | 材質 MATERIAL | |
|-----------|-------------------|--|--|
| ① | ハウジング HOUSING | ポリアミド(PA) UL94V-0 色：SHEET 5参照 POLYAMIDE(PA) UL94V-0 COLOR：SEE SHEET 5 | |
| ② | ターミナル TERMINAL | 黄銅 BRASS | |
| | | 接点部、テール部めっき CONTACT, TAIL PLATING | 錫ビスマスめっき：1.0 MICROMETER MINIMUM TIN-BISMUTH PLATING |
| ③ | ネイル NAIL | 黄銅 BRASS | |
| | | テール部めっき TAIL PLATING | 錫ビスマスめっき：1.0 MICROMETER MINIMUM TIN-BISMUTH PLATING |
| | | 下地めっき UNDER PLATING | ニッケルめっき：1.0 MICROMETER MINIMUM NICKEL PLATING (UNDER PLATING) |

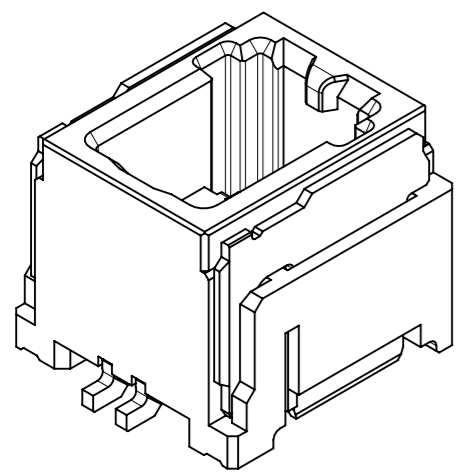
| | | | |
|-------|------|-------|--------------------|
| 12.2 | 7.5 | 13.65 | 14 |
| 10.95 | 6.25 | 12.4 | 12 |
| 9.7 | 5 | 11.15 | 10 |
| 8.45 | 3.75 | 9.9 | 8 |
| 8.1 | 2.5 | 9.55 | 6 |
| 6.85 | 1.25 | 8.3 | 4 |
| C | B | A | 極数 CIRCUIT SIZE |

THIS DRAWING CONTAINS INFORMATION THAT IS PROPRIETARY TO MOLEX ELECTRONIC TECHNOLOGIES, LLC AND SHOULD NOT BE USED WITHOUT WRITTEN PERMISSION

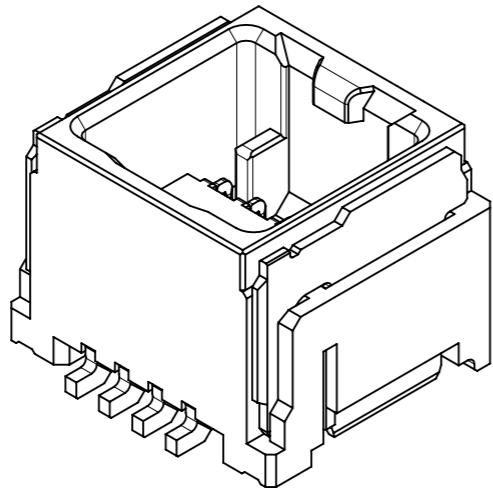
| | | | |
|--|---------|---|-----------------|
| DIMENSION UNITS | SCALE | CURRENT REV DESC: | |
| mm | NTS | | |
| GENERAL TOLERANCES (UNLESS SPECIFIED) | | <p>molex</p> <p>MICRO-LOCK PLUS 1.25 W/B DUAL ROW VERTICAL SMT PLUG ASSEMBLY FOR POTTING</p> <p>PRODUCT CUSTOMER DRAWING</p> | |
| ANGULAR TOL | ± 3.0 ° | | |
| 4 PLACES | ± 0.2 | | |
| 3 PLACES | ± 0.2 | | |
| 2 PLACES | ± 0.2 | | |
| 1 PLACE | ± 0.2 | EC NO: 736271 | 2022/12/27 |
| 0 PLACES | ± 0.2 | DRWN: SOKUMURA01 | 2023/02/16 |
| DRAFT WHERE APPLICABLE MUST REMAIN WITHIN DIMENSIONS | | CHK'D: SAKIYAMA | 2023/02/16 |
| THIRD ANGLE PROJECTION | | APPR: AIDA | 2023/02/16 |
| DRAWING | SERIES | INITIAL REVISION: | DOCUMENT NUMBER |
| A3-SIZE | 207760 | DRWN: TENAGASE | 2077600000-SD |
| MATERIAL NUMBER | | APPR: KOMURAKAMI | DOC TYPE |
| SEE SHEET 5 | | 2019/05/31 | PSD |
| CUSTOMER | | 2020/01/16 | 000 |
| GENERAL | | | C |
| SHEET NUMBER | | | 1 OF 5 |

製品形状
PRODUCT SHAPE

カラー & キー位置 (4, 6極)
COLOR & KEY POSITION (4,6 CIRCUIT)

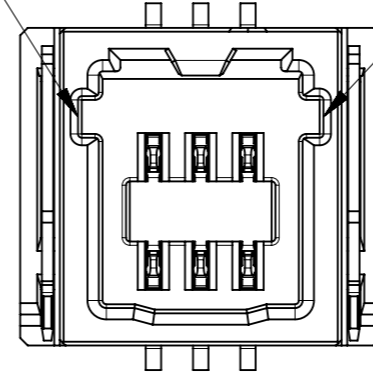


4-6極
4-6 CIRCUIT



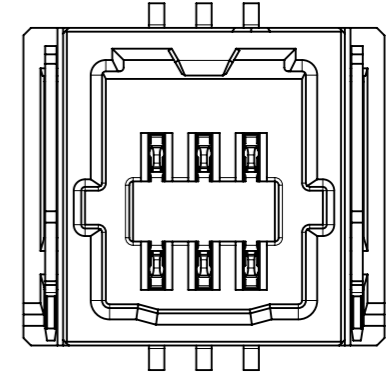
8-14極
8-14 CIRCUIT

極性キー
POLARIZATION
KEY

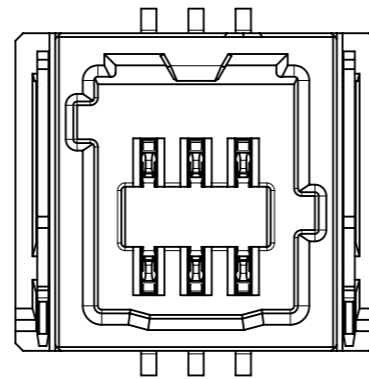


207760***0
ナチュラル(白)
NATURAL(WHITE)

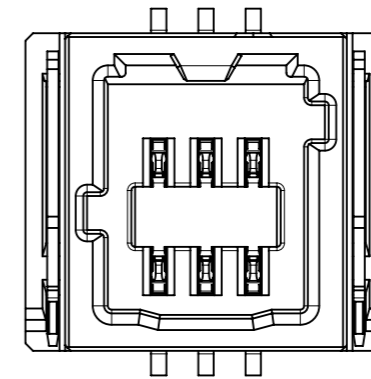
極性キー
POLARIZATION
KEY



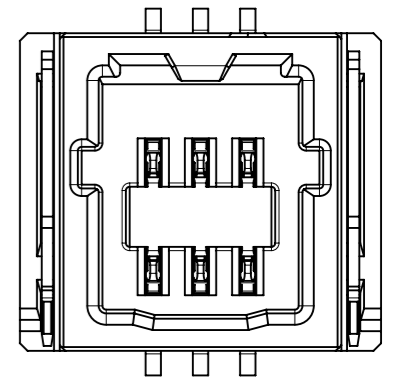
207760***1
黒
BLACK



207760***2
赤
RED

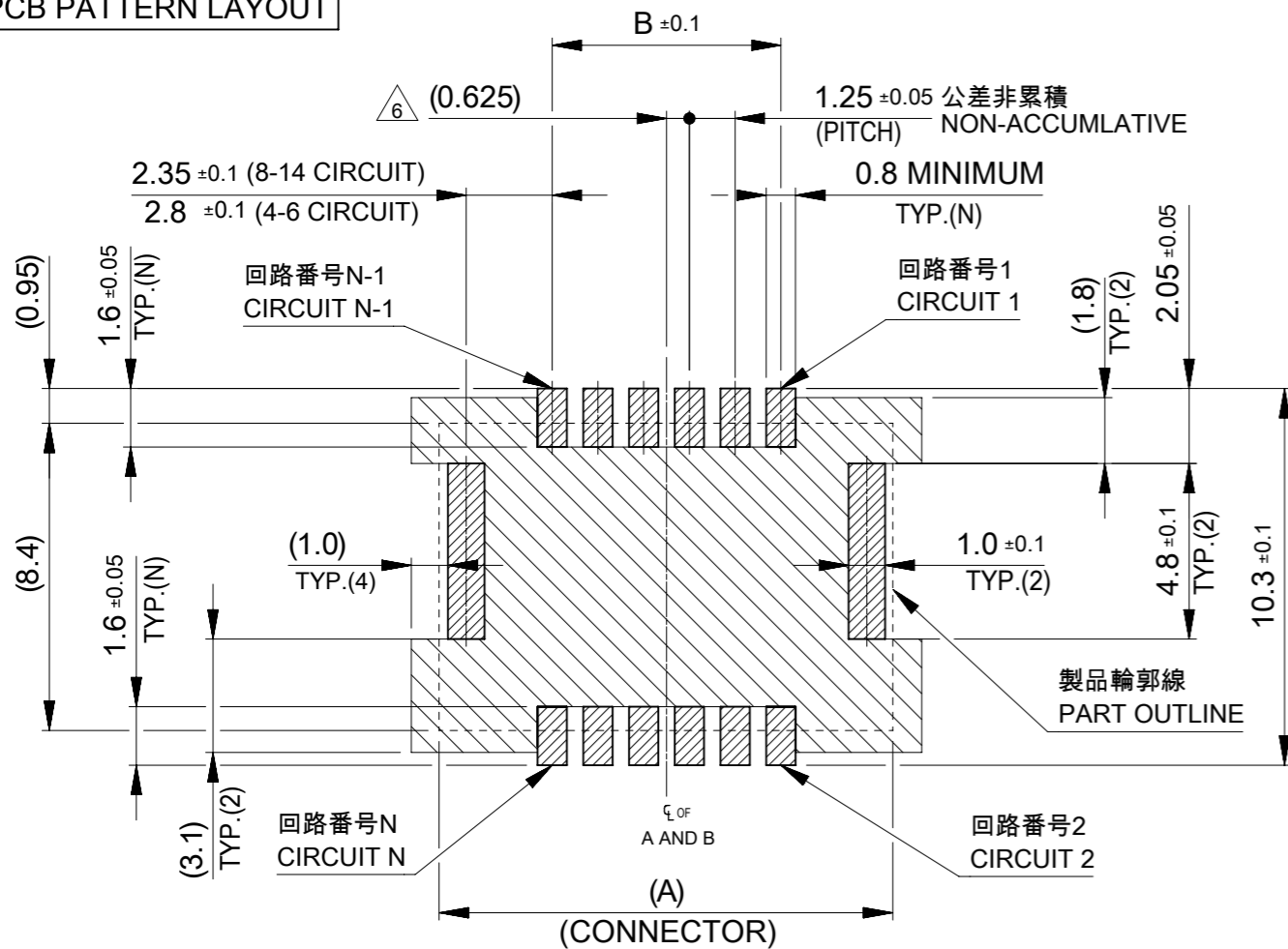


207760***3
黄
YELLOW



207760***4
青
BLUE

基板パターンレイアウト
PCB PATTERN LAYOUT

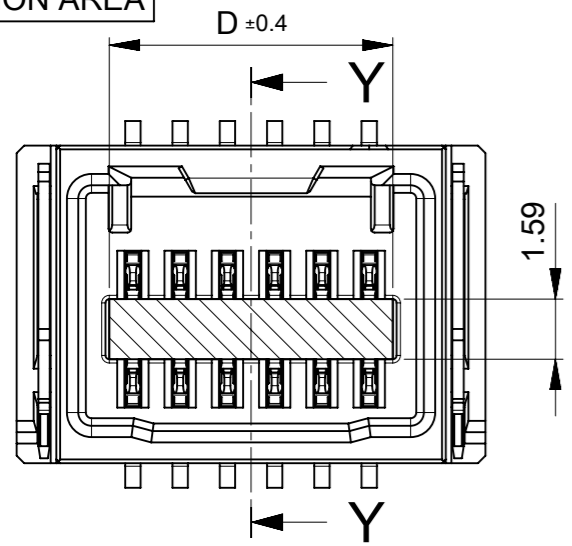


基板パターンレイアウト (参考)
 (参考: 基板厚 1.6mm, メタルマスク厚さ 0.15mm, マスク開口率 100%)
 RECOMMEND PCB LAYOUT : COMPONENT SIDE
 (REFERENCE : PCB THICKNESS 1.6mm, STENCIL THICKNESS 0.15mm, APERTURE RATIO 100%)

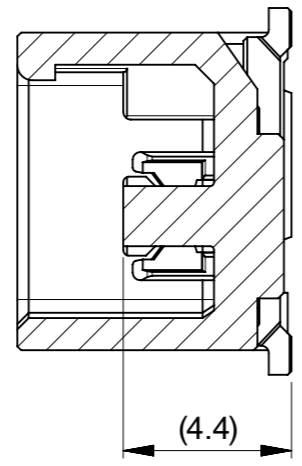
パターン禁止エリア
 RESTRICTED AREA
 NO PCB COMPONENTS ALLOWED

| | | | | | |
|---|-------|-------------------|--|--------------------------|--|
| THIS DRAWING CONTAINS INFORMATION THAT IS PROPRIETARY TO MOLEX ELECTRONIC TECHNOLOGIES, LLC AND SHOULD NOT BE USED WITHOUT WRITTEN PERMISSION | | CURRENT REV DESC: | | molex | |
| DIMENSION UNITS | SCALE | | | | |
| mm | NTS | | | PRODUCT CUSTOMER DRAWING | |
| GENERAL TOLERANCES (UNLESS SPECIFIED) | | | | DOCUMENT NUMBER | |
| ANGULAR TOL ± 3.0 ° | | | | 2077600000-SD | |
| 4 PLACES ± 0.2 | | EC NO: 736271 | | DOC TYPE | |
| 3 PLACES ± 0.2 | | DRWN: SOKUMURA01 | | PSD | |
| 2 PLACES ± 0.2 | | 2022/12/27 | | DOC PART | |
| 1 PLACE ± 0.2 | | CHK'D: SAKIYAMA | | 000 | |
| 0 PLACES ± 0.2 | | APPR: AIDA | | C | |
| DRAFT WHERE APPLICABLE MUST REMAIN WITHIN DIMENSIONS | | INITIAL REVISION: | | SHEET NUMBER | |
| THIRD ANGLE PROJECTION | | DRWN: TENAGASE | | 2 OF 5 | |
| DRAWING | | 2020/01/16 | | SERIES | |
| A3-SIZE | | 207760 | | MATERIAL NUMBER | |
| | | SEE SHEET 5 | | CUSTOMER | |
| | | GENERAL | | | |

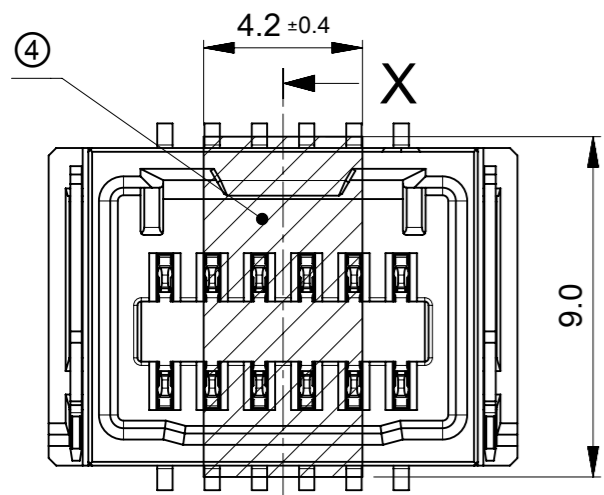
吸着エリア
SUCTION AREA



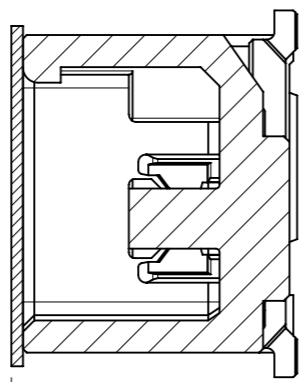
カバーテープ無
WITHOUT COVER TAPE
207760 **7*



SECTION Y-Y
吸着高さ
SUCTION HEIGHT

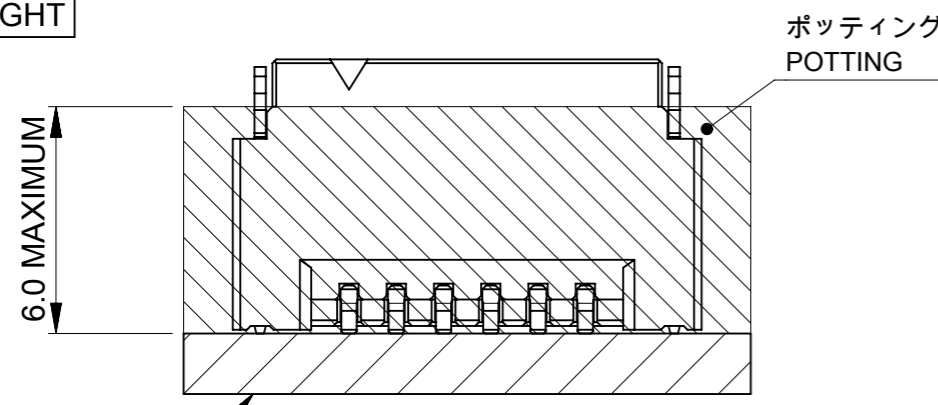


カバーテープ有
WITH COVER TAPE
207760 **8*

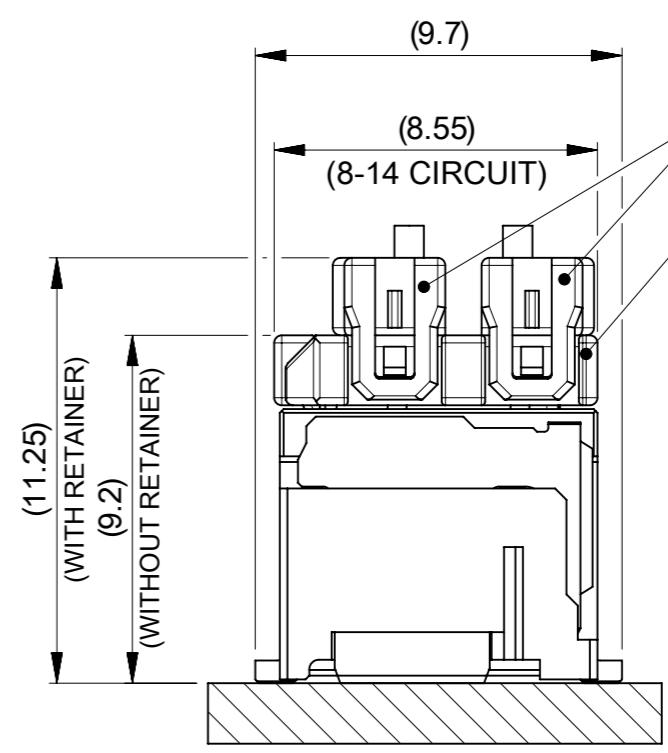
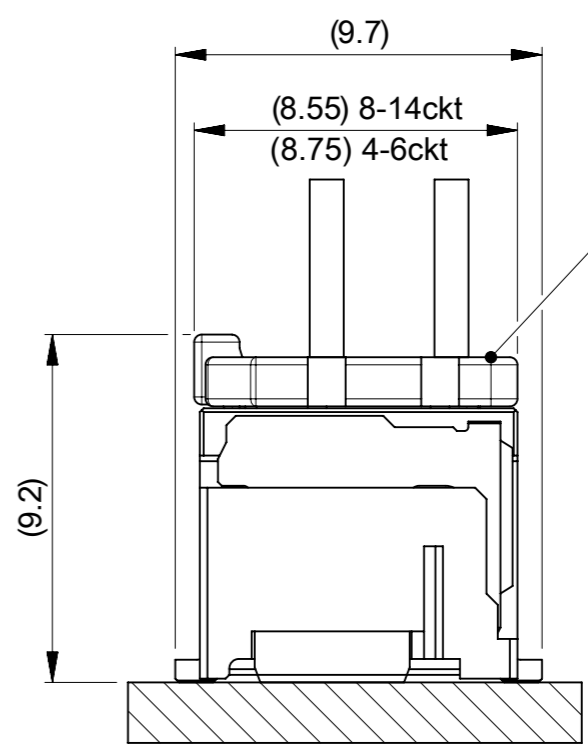
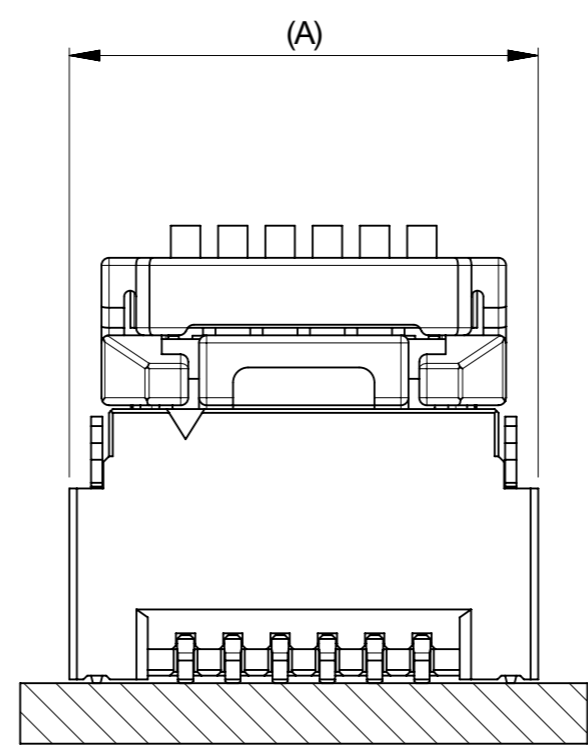
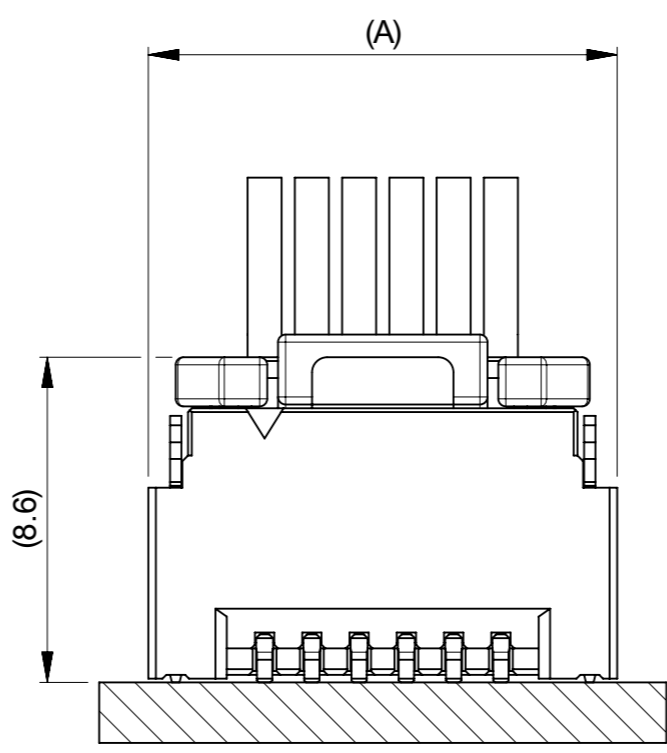


SECTION X-X
カバーテープ高さ
COVER TAPE HEIGHT

ポッティング高さ
POTTING HEIGHT



嵌合状態図
MATED CONNECTORS



嵌合相手 : 204523シリーズ
MATE WITH : 204523 SERIES

リテーナー : 214528シリーズ
RETAINER : 214528 SERIES
嵌合相手 : 214527シリーズ
MATE WITH : 214527 SERIES

| | | |
|------|-----------------------|----------------------|
| 8.75 | 14 | 無 WITHOUT |
| 7.5 | 12 | |
| 6.25 | 10 | |
| 5 | 8 | |
| 3.75 | 6 | |
| 2.5 | 4 | |
| D | 極数 CIRCUIT SIZE | カバーテープ COVER TAPE |

TABLE2

| 番号 NO. | 部品 PART | 材質 MATERIAL |
|-----------|----------------------|--------------------|
| ④ | カバーテープ COVER TAPE | ポリイミド POLYIMIDE |

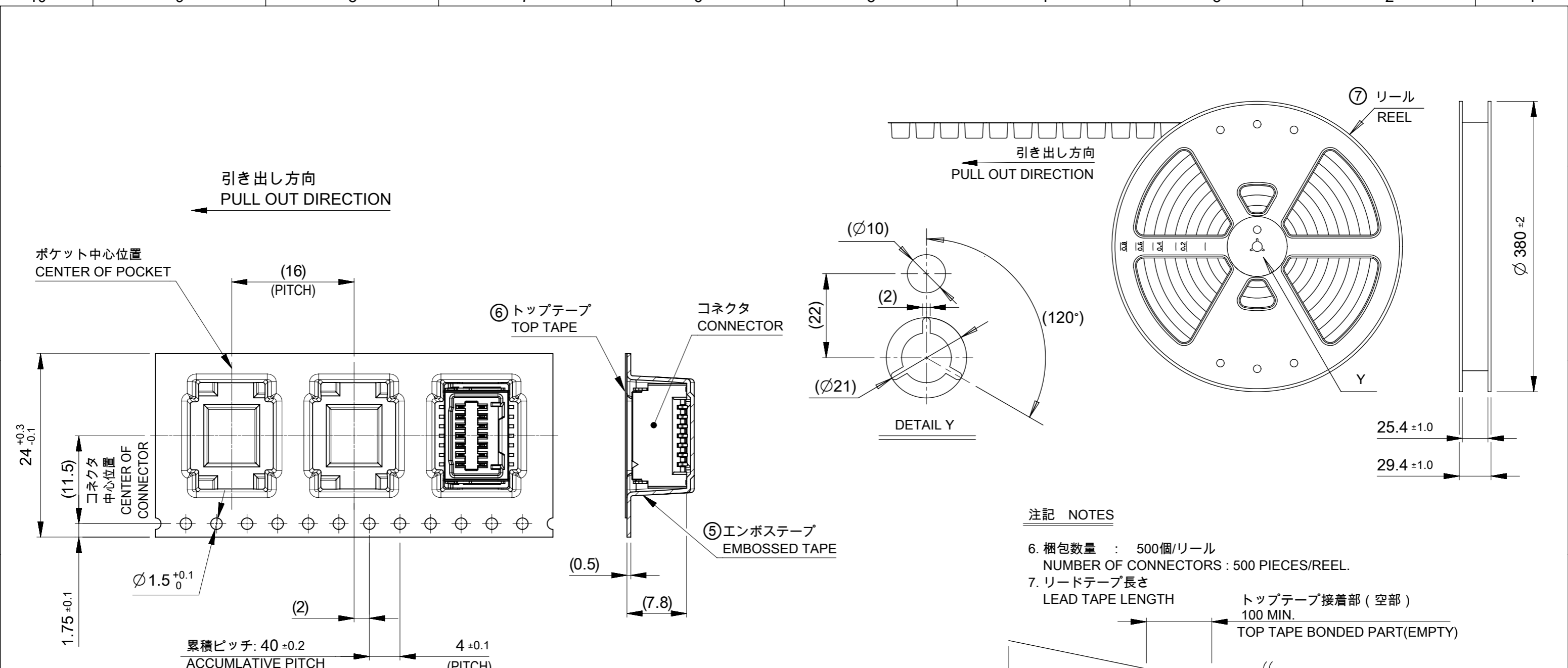
DOCUMENT STATUS P1 RELEASE DATE 2023/02/16 15:22:35

THIS DRAWING CONTAINS INFORMATION THAT IS PROPRIETARY TO MOLEX ELECTRONIC TECHNOLOGIES, LLC AND SHOULD NOT BE USED WITHOUT WRITTEN PERMISSION

| | | | |
|--|--------------------|---|-----------------|
| DIMENSION UNITS mm | SCALE NTS | CURRENT REV DESC: | |
| GENERAL TOLERANCES (UNLESS SPECIFIED) | | EC NO: 736271 | |
| ANGULAR TOL ± 3.0 ° | 4 PLACES ± 0.2 | DRWN: SOKUMURA01 | 2022/12/27 |
| 3 PLACES ± 0.2 | 2 PLACES ± 0.2 | CHK'D: SAKIYAMA | 2023/02/16 |
| 1 PLACE ± 0.2 | 0 PLACES ± 0.2 | APPR: AIDA | 2023/02/16 |
| DRAFT WHERE APPLICABLE MUST REMAIN WITHIN DIMENSIONS | | INITIAL REVISION: DRWN: TENAGASE APPR: KOMURAKAMI | |
| THIRD ANGLE PROJECTION | DRAWING A3-SIZE | SERIES 207760 | 2019/05/31 |
| MATERIAL NUMBER SEE SHEET 5 | | CUSTOMER GENERAL | 2020/01/16 |
| DOCUMENT NUMBER 2077600000-SD | | DOC TYPE PSD | DOC PART 000 |
| REVISION C | | SHEET NUMBER 3 OF 5 | |

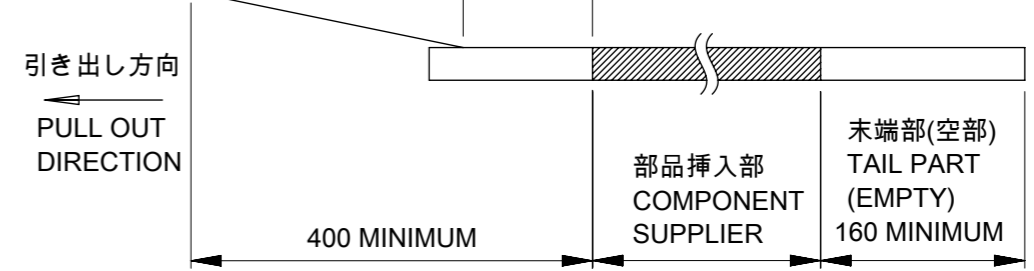
molex
MICRO-LOCK PLUS 1.25 W/B
DUAL ROW VERTICAL SMT PLUG ASSEMBLY
FOR POTTING

PRODUCT CUSTOMER DRAWING



注記 NOTES

- 6. 梱包数量 : 500個/リール
NUMBER OF CONNECTORS : 500 PIECES/REEL.
- 7. リードテープ長さ
LEAD TAPE LENGTH
トップテープ接着部 (空部) 100 MIN.
TOP TAPE BONDED PART (EMPTY)



8. トップテープの剥離強度については、IEC60286-3に準拠
TOP TAPE PEELING FORCE IS DEFINED BY IEC60286-3.

TABLE3

| 番号 NO. | 部品 PART | 材質 MATERIAL |
|--------|---------------------------|--|
| ⑤ | エンボステープ EMBOSSSED TAPE | ポリスチレン(PS) POLYSTYRENE(PS) |
| ⑥ | トップテープ TOP TAPE | ポリエチレン(PE)、その他 POLYETHYLENE(PE), etc |
| ⑦ | リール REEL | ポリスチレン(PS) <リサイクル材を含む> POLYSTYRENE(PS) < RECYCLE MATERIAL CONTAINED > |

| | | | | | |
|---|---------|------------------------|--|--|--|
| THIS DRAWING CONTAINS INFORMATION THAT IS PROPRIETARY TO MOLEX ELECTRONIC TECHNOLOGIES, LLC AND SHOULD NOT BE USED WITHOUT WRITTEN PERMISSION | | CURRENT REV DESC: | | | |
| DIMENSION UNITS | SCALE | | | | |
| mm | NTS | | | MICRO-LOCK PLUS 1.25 W/B DUAL ROW VERTICAL SMT PLUG ASSEMBLY FOR POTTING | |
| GENERAL TOLERANCES (UNLESS SPECIFIED) | | | | PRODUCT CUSTOMER DRAWING | |
| ANGULAR TOL | ± 3.0 ° | | | DOCUMENT NUMBER | |
| 4 PLACES | ± 0.2 | EC NO: 736271 | | 2077600000-SD | |
| 3 PLACES | ± 0.2 | DRWN: SOKUMURA01 | | PSD | |
| 2 PLACES | ± 0.2 | 2022/12/27 | | 000 | |
| 1 PLACE | ± 0.2 | CHK'D: SAKIYAMA | | C | |
| 0 PLACES | ± 0.2 | APPR: AIDA | | REVISION | |
| DRAFT WHERE APPLICABLE MUST REMAIN WITHIN DIMENSIONS | | THIRD ANGLE PROJECTION | | SHEET NUMBER | |
| | | DRAWING | | 4 OF 5 | |
| | | SERIES | | | |
| | | A3-SIZE | | | |
| | | 207760 | | | |
| | | MATERIAL NUMBER | | | |
| | | SEE SHEET 5 | | | |
| | | CUSTOMER | | | |
| | | GENERAL | | | |

△ 2 適合製品及び各種仕様書 APPLICABLE PRODUCTS AND VARIOUS SPECIFICATIONS

| | | | |
|--|--------------------------------|-----------------------|-------------------------------|
| 梱包仕様書 PACKAGING SPECIFICATION | | 2077609200-SPK PS 200 | |
| 適合嵌合相手 MATE WITH | シリーズ番号 SERIES NUMBER | 204523 | 214527 |
| | リテーナー対応 RETAINER APPLICABLE | NOT COMPLIANT | COMPLIANT (NATURAL, BLACK) |
| 適合リテーナーシリーズ番号 APPLICABLE RETAINER SERIES NUMBER | | - | 214528 |
| 製品仕様書 PRODUCT SPECIFICATION | | 2045230001-PS PS 000 | 2145270001-PS PS 000 |
| コネクタ取扱説明書 APPLICATION SPECIFICATION | | 5054320000-AS PS 000 | |

△ 5 207760**** 発注番号一覧 ORDER NUMBER LIST

| NOT COMPLIANT | | | COMPLIANT | | LOW HALOGEN | WITH |
|--|------------|------------|------------|-----------------|-----------------------|----------------------|
| BLUE | YELLOW | RED | BLACK | NATURAL (WHITE) | HOUSING COLOR | |
| --- | --- | --- | 2077601481 | 2077601480 | 14 | WITH |
| --- | --- | --- | 2077601281 | 2077601280 | 12 | |
| --- | --- | --- | 2077601081 | 2077601080 | 10 | |
| --- | --- | --- | 2077600881 | 2077600880 | 8 | |
| 2077600684 | 2077600683 | 2077600682 | 2077600681 | 2077600680 | 6 | |
| 2077600484 | 2077600483 | 2077600482 | 2077600481 | 2077600480 | 4 | WITHOUT |
| --- | --- | --- | 2077601471 | 2077601470 | 14 | |
| --- | --- | --- | 2077601271 | 2077601270 | 12 | |
| --- | --- | --- | 2077601071 | 2077601070 | 10 | |
| --- | --- | --- | 2077600871 | 2077600870 | 8 | |
| 2077600674 | 2077600673 | 2077600672 | 2077600671 | 2077600670 | 6 | |
| 2077600474 | 2077600473 | 2077600472 | 2077600471 | 2077600470 | 4 | |
| 発注番号 ORDER NUMBER | | | | | 極数 CIRCUIT SIZE | カバーテープ COVER TAPE |
| 梱包形態 PACKAGING STYLE エンボステープ、リール EMBOSSED TAPE AND REEL | | | | | | |

THIS DRAWING CONTAINS INFORMATION THAT IS PROPRIETARY TO MOLEX ELECTRONIC TECHNOLOGIES, LLC AND SHOULD NOT BE USED WITHOUT WRITTEN PERMISSION

| | | | | | | |
|--|----------------|---|------------------|--------------------------|-----------------|------------------------|
| DIMENSION UNITS mm | SCALE NTS | CURRENT REV DESC: | | molex | | |
| GENERAL TOLERANCES (UNLESS SPECIFIED) | | EC NO: 736271 | | | | |
| ANGULAR TOL ± 3.0 ° | 4 PLACES ± 0.2 | DRWN: SOKUMURA01 | 2022/12/27 | PRODUCT CUSTOMER DRAWING | | |
| 3 PLACES ± 0.2 | 2 PLACES ± 0.2 | CHK'D: SAKIYAMA | 2023/02/16 | DOCUMENT NUMBER | | |
| 1 PLACE ± 0.2 | 0 PLACES ± 0.2 | APPR: AIDA | 2023/02/16 | 2077600000-SD | | |
| DRAFT WHERE APPLICABLE MUST REMAIN WITHIN DIMENSIONS | | INITIAL REVISION: DRWN: TENAGASE APPR: KOMURAKAMI | | 2019/05/31 | DOC TYPE PSD | DOC PART 000 |
| THIRD ANGLE PROJECTION | | DRAWING A3-SIZE | SERIES 207760 | CUSTOMER GENERAL | REVISION C | SHEET NUMBER 5 OF 5 |