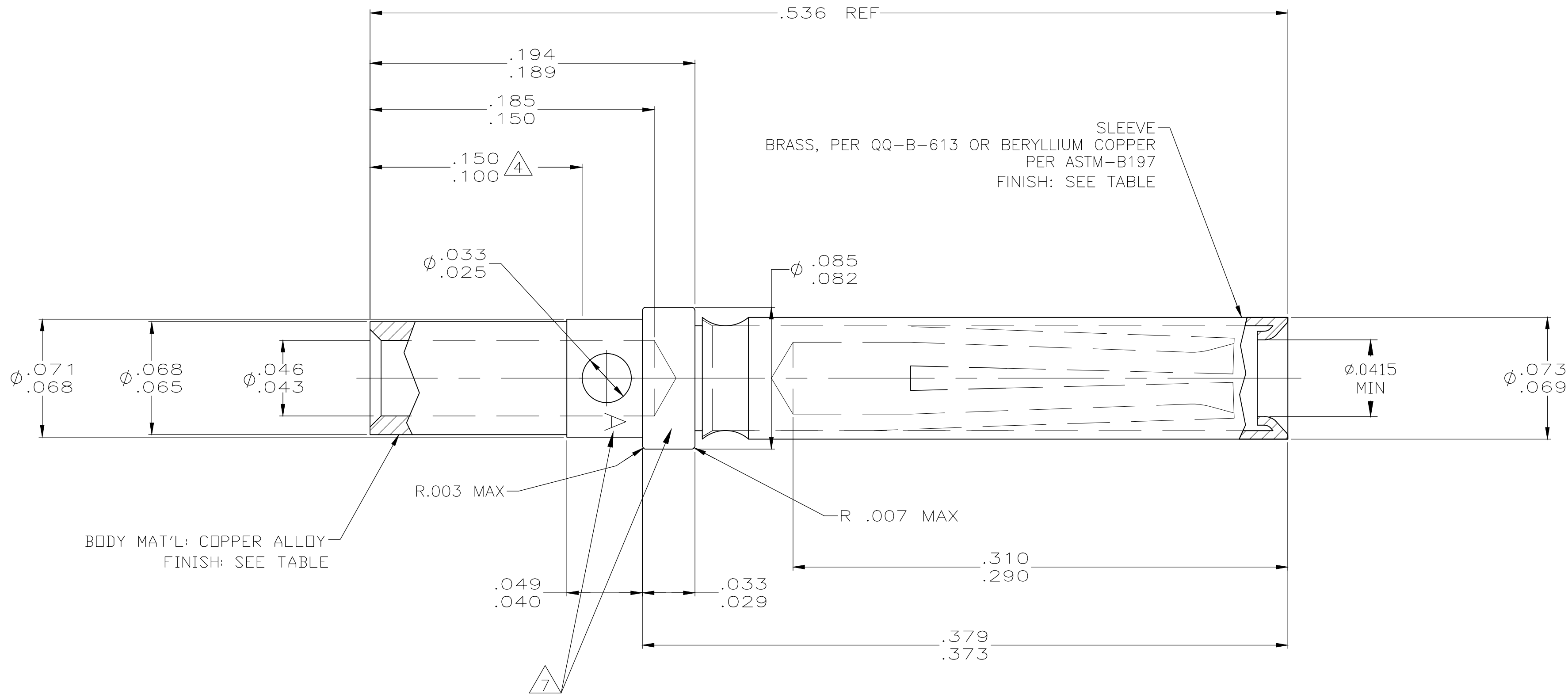
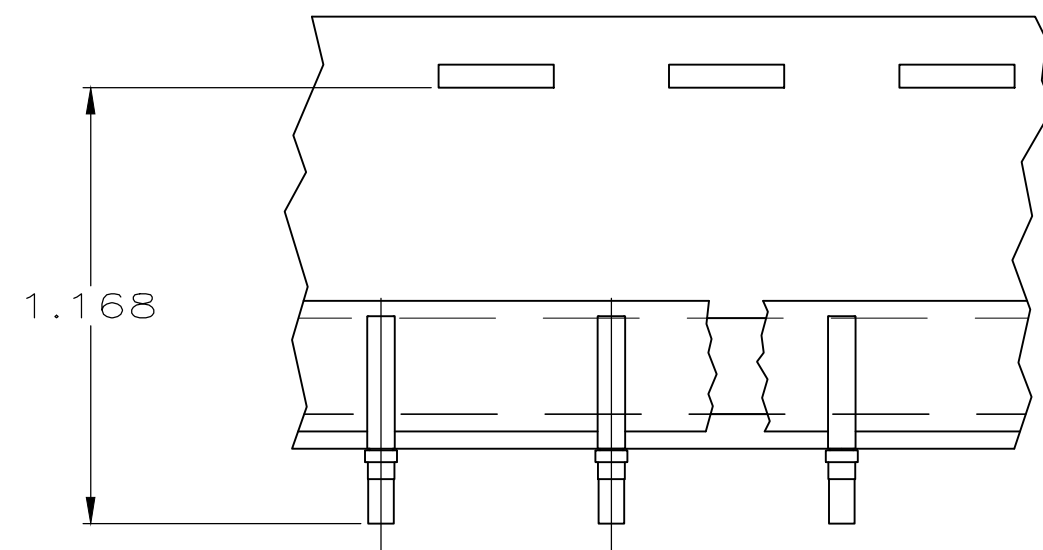


REVISIONS					
P	LTR	DESCRIPTION	DATE	DWN	APVD
M		REV PER ECO 20-007904	11-25-20	CT	DM



- CONTACTS QUALIFIED TO GSFC-S-311-P-4/10, NASA P/N G-10-S1
- ALL DIAMETERS ARE CONCENTRIC WITH EACH OTHER WITHIN .004 T.I.R.
- ALL SURFACES HAVE $\sqrt{63}$ OR BETTER FINISH.
- POINT OF PLATING THICKNESS MEASUREMENT.
- SLEEVE MAY BE CRIMPED OR DIMPLED TO BODY.
- MINIMUM SEPERATION FORCE OF 7 OZ USING A.039 PIN AND 4 OZ MAX ENGAGEMENT FORCE USING A.041 PIN.
- OPTIONAL LOCATION FOR STAMPED LETTER "A"
- PLATING: GOLD PER ASTM-B-488 (TYPEII) OVER COPPER PER AMS 2418, .000050 MIN THK.
- PLATING: GOLD PER ASTM-B-488 (TYPEII) OVER NICKEL PER AMS-QQ-N-290.
- CONTACTS MEET REQUIREMENTS OF AS39029/63-368
- RESTRICTED PART NUMBER.



TAPE MOUNTED
PART NO 206793-2 ONLY
SCALE 2:1

11			1-206793-1
	9	AS SHOWN	206793-4
OBSOLETE	8	SAME AS -1 EXCEPT 6	206793-3
	1	8	SAME AS -1 EXCEPT TAPE MOUNTED 5,000 CONTACTS PER REEL
	1	8	AS SHOWN
		FINISH	DESCRIPTION
			PART NO

THIS DRAWING IS A CONTROLLED DOCUMENT.		DWN	C.C.THOMAS	11-20-02			
DIMENSIONS: INCHES		CHK	D.MILLER	11-20-02			
TOLERANCES UNLESS OTHERWISE SPECIFIED:		APVD	D.MILLER	11-20-02	NAME		
0 PLC ± -		PRODUCT SPEC		SOCKET CONTACT ASSY, SIZE 20, AMPLIMITE			
1 PLC ± -		APPLICATION SPEC		-			
2 PLC ± -		-		-			
3 PLC ± -		-		-			
4 PLC ± -		-		-			
ANGLES ± -		-		-			
MATERIAL SEE CALLOUT		FINISH		WEIGHT	0.000000	SIZE	A2
-		-		CAGE CODE		00779	DRAWING NO
-		-		DRAWING NO		C=206793	RESTRICTED TO
-		-		CUSTOMER DRAWING		SCALE	20:1
-		-		SHEET		1 of 1	REV
-		-		M			