

BTS4130QGA

Smart High-Side Power Switch

Automotive Power



Never stop thinking

1	Overview	3
2	Block Diagram	5
3	Pin Configuration	6
3.1	Pin Assignment	6
3.2	Pin Definitions and Functions	6
3.3	Voltage and Current Definition	7
4	General Product Characteristics	8
4.1	Absolute Maximum Ratings	8
4.2	Functional Range	9
4.3	Thermal Resistance	9
5	Power Stage	10
5.1	Output ON-State Resistance	10
5.2	Turn ON / OFF Characteristics	10
5.3	Inductive Output Clamp	11
5.3.1	Maximum Load Inductance	12
5.4	Electrical Characteristics Power Stage	13
6	Protection Mechanisms	14
6.1	Loss of Ground Protection	14
6.2	Undervoltage Protection	14
6.3	Overvoltage Protection	14
6.4	Reverse Polarity Protection	15
6.5	Overload Protection	15
6.5.1	Current Limitation	16
6.6	Electrical Characteristics Protection Functions	17
7	Diagnostic Mechanism	18
7.1	ST 0/1/2/3 Pin	18
7.2	ST0/1/2/3 Signal in Case of Failures	18
7.2.1	Diagnostic in Open Load, Channel OFF	19
7.2.2	ST 0/1 Signal in case of Over Temperature	20
7.3	Electrical Characteristics Diagnostic Functions	21
8	Input Pins	22
8.1	Input Circuitry	22
8.2	Electrical Characteristics	22
9	Application Information	23
9.1	Further Application Information	23
10	Package Outlines	24
11	Revision History	25

Four Channel Device

1 Overview
Basic Features

- Withstand low Cranking Voltage
- Fit for 12V Application
- Four Channel device
- Very low Stand-by Current
- CMOS Compatible Inputs
- Electrostatic Discharge Protection (ESD)
- Optimized Electromagnetic Compatibility
- Logic ground independent from load ground
- Very low Leakage Current from OUT to the load in OFF State
- Green Product (RoHS compliant)
- AEC Qualified


PG-DSO-20-32
Description

The BTS4130QGA is a quad channel Smart High-Side Power Switch. It is embedded in a PG-DSO-20-32 package, providing protective functions and diagnostics. The power transistor is built by a N-channel power MOSFET with charge pump. The device is monolithically integrated in Smart technology. It is specially designed to drive relays as well as resistive loads in the harsh automotive environment.

Table 1 Electrical Parameters (short form)

Parameter	Symbol	Value
Operating voltage range	V_{SOP}	5.5V 20V
Undervoltage switch OFF at $T_j = -40^{\circ}\text{C}$	$V_{s(USO)}$	3.2V
Maximum load per channel	P_{BULB}	2 * R5W, relays or LED
Over voltage protection	$V_{S(AZ)}$	43V
Max ON State resistance at $T_j = 150^{\circ}\text{C}$ per channel	$R_{DS(ON)}$	260m Ω
Nominal load current (one channel active)	$I_{L(nom)}$	1.8A
Minimum current limitation	I_{L_SCR}	5A
Standby current for the whole device with load	$I_{S(off)}$	16 μA
Maximum reverse battery voltage	$-V_{s(REV)}$	32V

Type	Package	Marking
BTS4130QGA	PG-DSO-20-32	BTS4130QGA

Diagnostic Feature

- Open load detection in OFF state
- Feedback of the thermal shutdown in ON state
- Diagnostic feedback with open drain output

Protection Functions

- Short circuit protection
- Overload protection
- Current limitation
- Thermal shutdown
- Overvoltage protection (including load dump) with external resistor
- Reverse battery protection with external resistor
- Loss of ground and loss of V_S protection
- Electrostatic discharge protection (ESD)

Application

- All types of resistiv, inductive and capacitive loads

2 Block Diagram



Figure 1 Block diagram for the BTS4130QGA

3 Pin Configuration

3.1 Pin Assignment

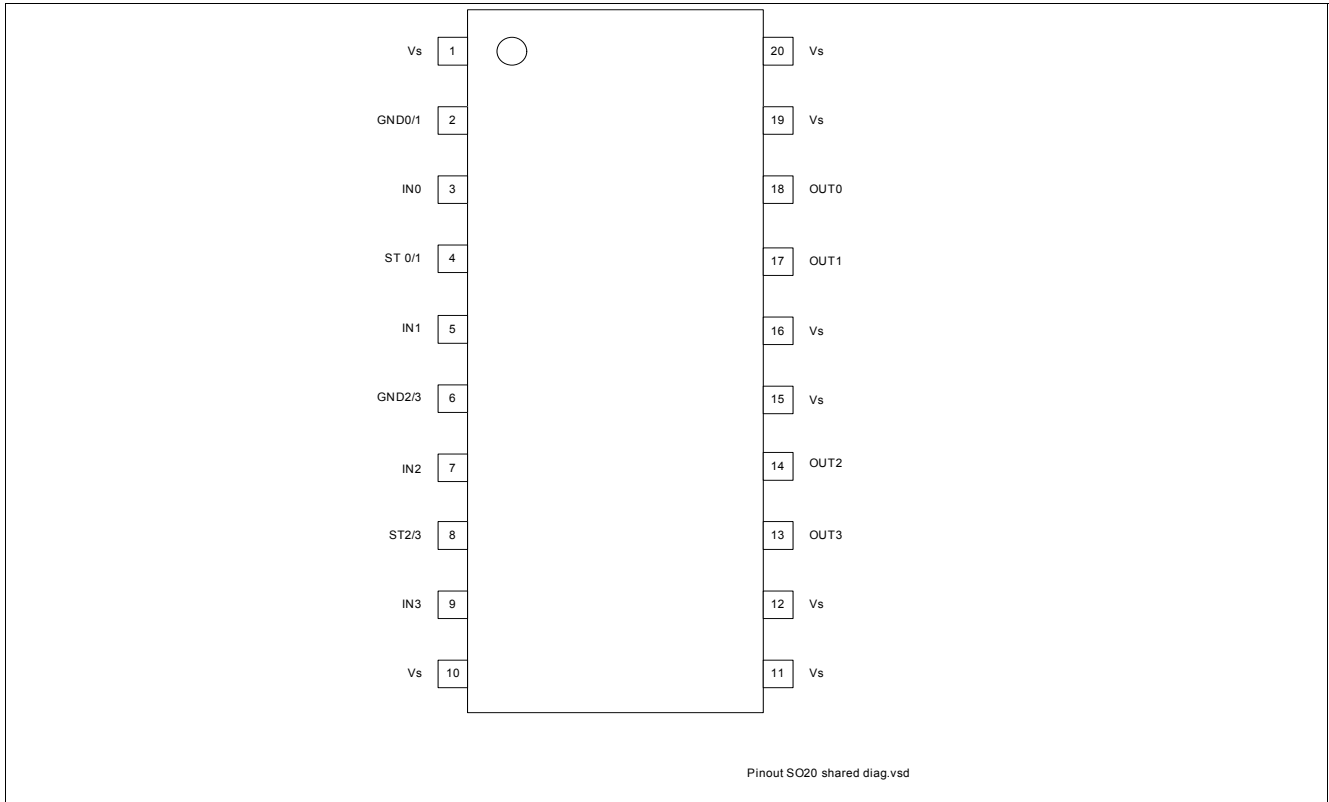


Figure 2 Pin Configuration

3.2 Pin Definitions and Functions

Pin	Symbol	Function
1, 10, 11, 12, 15, 16, 19, 20	V _S	Battery voltage; Design the wiring for the simultaneous maximum short circuit currents from channel 0 and 1 and also for low thermal resistance
2	GND0/1	Ground; Ground connection for channel 0 and 1
3	IN0	Input channel 0; Input signal for channel 0. Activate the channel in case of logic high level
4	ST 0/1	Diagnostic feedback; of channel 0/1. Open drain.
5	IN1	Input channel 1; Input signal for channel 1. Activate the channel in case of logic high level
6	GND2/3	Ground; Ground connection for channel 2 and 3
7	IN2	Input channel 2; Input signal for channel 2. Activate the channel in case of logic high level
8	ST 2/3	Diagnostic feedback; of channel 2/3. Open drain.
9	IN3	Input channel 3; Input signal for channel 3. Activate the channel in case of logic high level

Pin	Symbol	Function
13	OUT3	Output 3; Protected High side power output channel 3
14	OUT2	Output 2; Protected High side power output channel 2
17	OUT1	Output 1; Protected High side power output channel 1
18	OUT0	Output 0; Protected High side power output channel 0

3.3 Voltage and Current Definition

Figure 3 shows all terms used in this data sheet, with associated convention for positive values.

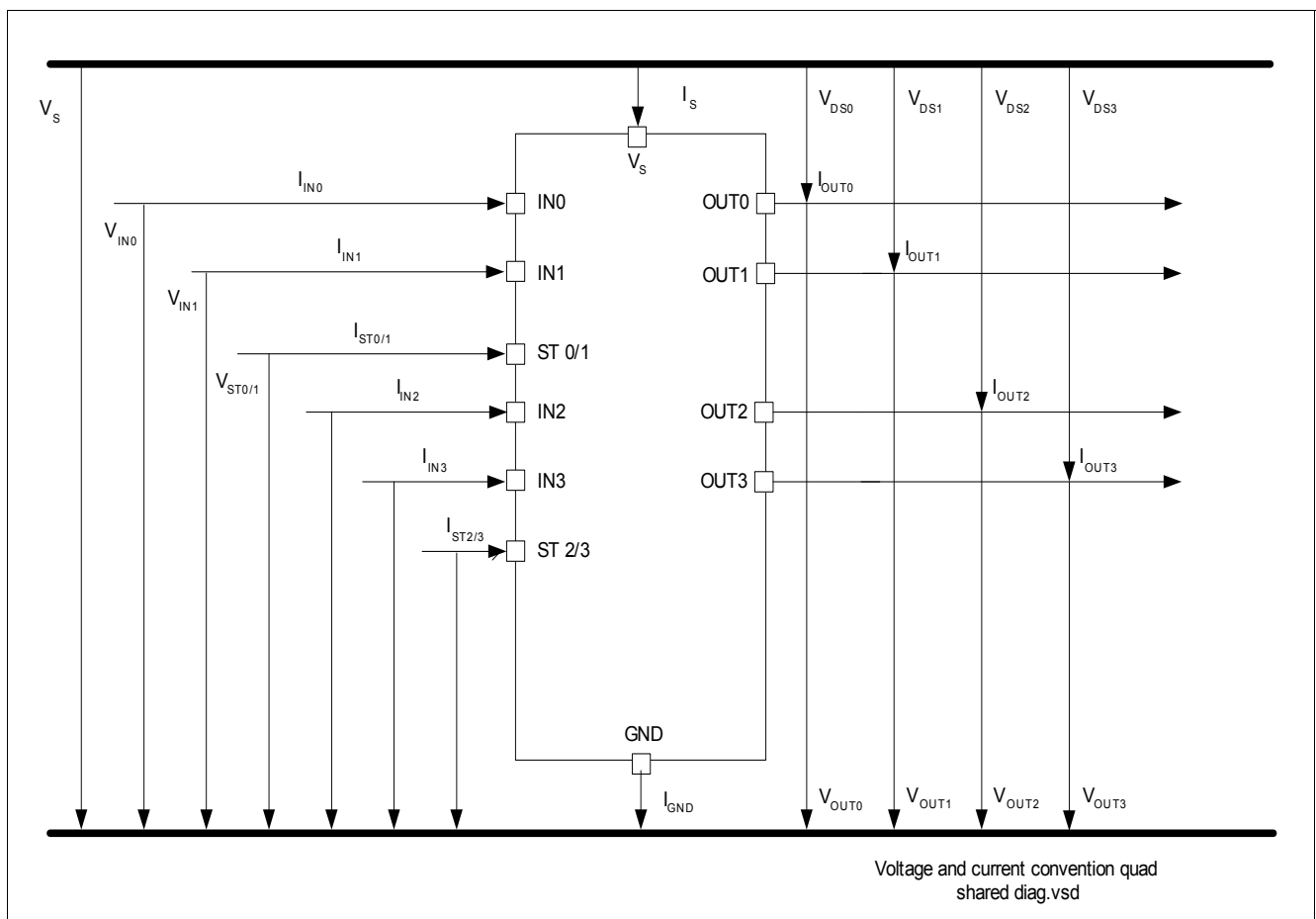


Figure 3 Voltage and current definition

4 General Product Characteristics

4.1 Absolute Maximum Ratings

Absolute Maximum Ratings ¹⁾

$T_j = 25^\circ\text{C}$; (unless otherwise specified)

Pos.	Parameter	Symbol	Limit values		Unit	Conditions
			Min.	Max.		
Voltages						
4.1.1	Supply voltage	V_S	-0.3	43	V	–
4.1.2	Reverse polarity Voltage	$-V_{S(\text{REV})}$	–	32	V	–
4.1.3	Supply voltage for short circuit protection	$V_{\text{bat(SC)}}$	0	20	V	$R_{\text{ECU}} = 20\text{m}\Omega$, $R_{\text{Cable}} = 16\text{m}\Omega/\text{m}$, $L_{\text{Cable}} = 1\mu\text{H}/\text{m}$, $\ell = 0$ or 5m^2) see Chapter 6
Input pins						
4.1.4	Voltage at INPUT pins	V_{IN}	-10	16	V	–
4.1.5	Current through INPUT pins	I_{IN}	-0.3	0.3	mA	–
4.1.6	Current through INPUT pins pulsed	I_{IN}	-5	5	mA	Only for testing
Status pin						
4.1.7	Current through ST 0/1 pin	$I_{\text{ST0/1}}$	-5	5	mA	–
4.1.8	Current through ST 2/3 pin	$I_{\text{ST2/3}}$	-5	5	mA	–
Power stage						
4.1.9	Load current	$ I_L $	–	$I_{L(\text{LIM})}$	A	–
4.1.10	Power dissipation (DC), all channel active	P_{TOT}	–	1.4	W	$T_A = 85^\circ\text{C}$, $T_j < 150^\circ\text{C}$
4.1.11	Maximum Switchable energy, single pulse	E_{AS}	–	76	mJ	$I_L = 2.3\text{A}$, $V_S = 12\text{V}$
Temperatures						
4.1.12	Junction Temperature	T_j	-40	150	$^\circ\text{C}$	–
4.1.13	Dynamic temperature increase while switching	ΔT_j	–	60	K	–
4.1.14	Storage Temperature	T_{stg}	-55	150	$^\circ\text{C}$	–
ESD Susceptibility						
4.1.15	ESD Resistivity IN pin	V_{ESD}	-1	1	kV	HBM ³⁾
4.1.16	ESD Resistivity ST 0/1, 2/3 pins	V_{ESD}	-4	4	kV	HBM ³⁾
4.1.17	ESD Resistivity OUT to all other pins shorted	V_{ESD}	-5	5	kV	HBM ³⁾

1) Not subject to production test, specified by design

2) Set up in accordance to AEC Q100-012 and AEC Q101-006

3) ESD susceptibility HBM according to EIA/JESD 22-A 114B

Note: Stresses above the ones listed here may cause permanent damage to the device. Exposure to absolute maximum rating conditions for extended periods may affect device reliability.

General Product Characteristics

Note: Integrated protection functions are designed to prevent IC destruction under fault conditions described in the data sheet. Fault conditions are considered as "outside" normal operating range. Protection functions are not designed for continuous repetitive operation.

4.2 Functional Range

$T_j = -40\text{ °C}$ to $+150\text{ °C}$; (unless otherwise specified)

Pos.	Parameter	Symbol	Limit values		Unit	Conditions
			Min.	Max.		
4.2.1	Operating Voltage	V_{SOP}	5.5	20	V	$V_{IN} = 4.5V$, $R_L = 12\Omega$, $V_{DS} < 0.5V$
4.2.2	Undervoltage switch OFF	V_{SUV}	–	3.2	V	⁻¹⁾ , $T_j = -40\text{ °C}$, $V_{DS} < 0.5V$
4.2.3	Operating current One channel active Four channels active	I_{GND}	– –	0.9 3.3	mA	$V_{IN} = 5V$
4.2.4	Standby current for whole device with load	$I_{S(OFF)}$	– – –	16 16 24	μA	$T_j = 25\text{ °C}$ $T_j = 85\text{ °C}^{2)}$ $T_j = 150\text{ °C}$, $V_s = 12V$, $R_L = 12\Omega$, $V_{IN} = 0V$

1) Battery voltage is decreasing

2) Not subject to production test. Specified by design

Note: Within the functional range the IC operates as described in the circuit description. The electrical characteristics are specified within the conditions given in the related electrical characteristics table.

4.3 Thermal Resistance

Pos.	Parameter	Symbol	Limit values			Unit	Conditions
			Min.	Typ.	Max.		
4.3.1	Junction to Soldering Point each channel	R_{thJSP}	–	–	15	K/W	⁻¹⁾
4.3.2	Junction to Ambient	R_{thJA}	–	45	–	K/W	with 6cm ² cooling area ¹⁾

1) Not subject to production test, specified by design

5 Power Stage

The power stages are built by an N-channel vertical power MOSFET (DMOS) with charge pump.

5.1 Output ON-State Resistance

The ON-state resistance $R_{DS(ON)}$ depends on the supply voltage as well as the junction temperature T_j . **Figure 4** shows the dependencies for the typical ON-state resistance. The behavior in reverse polarity is described in **Chapter 6.4**.

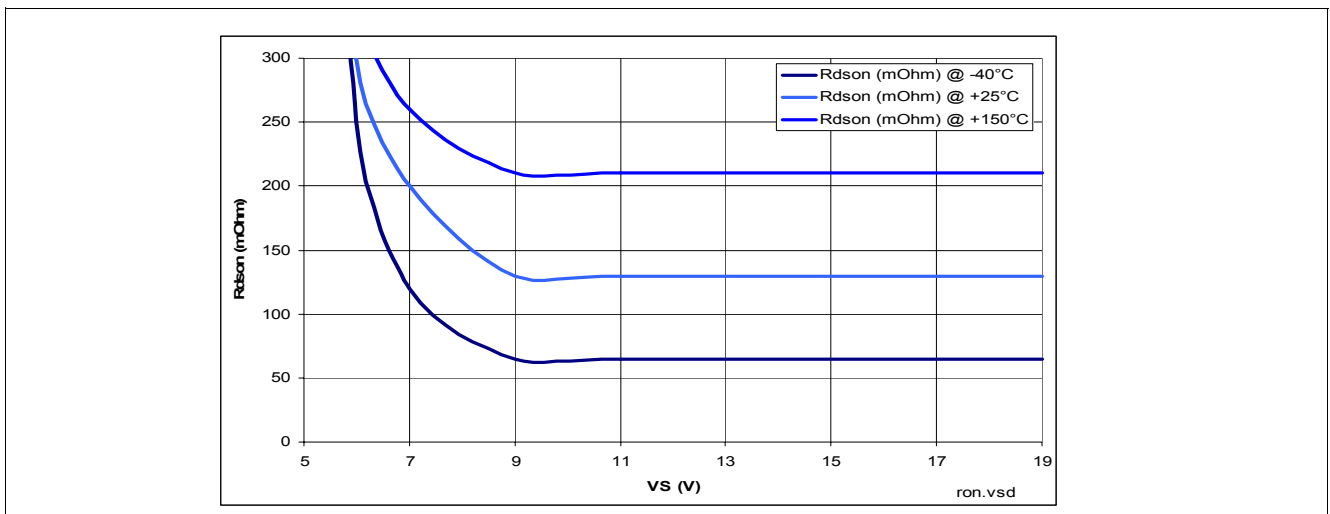


Figure 4 Typical ON-state resistance

A high signal (See **Chapter 8**) at the input pin causes the power DMOS to switch ON with a dedicated slope, which is optimized in terms of EMC emission.

5.2 Turn ON / OFF Characteristics

Figure 5 shows the typical timing when switching a resistive load.

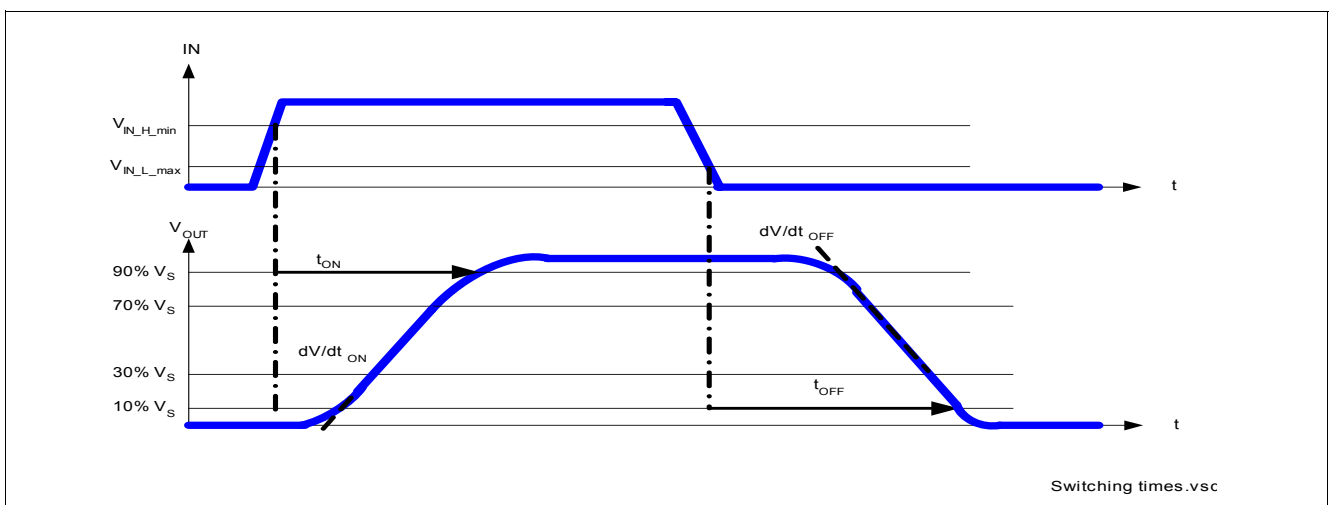


Figure 5 Turn ON/OFF (resistive) timing

5.3 Inductive Output Clamp

When switching OFF inductive loads with high side switches, the voltage V_{OUT} drops below ground potential, because the inductance intends to continue driving the current. To prevent the destruction of the device due to high voltages, there is a voltage clamp mechanism implemented that keeps the negative output voltage at a certain level ($V_S - V_{DS(AZ)}$). Please refer to [Figure 6](#) and [Figure 7](#) for details. Nevertheless, the maximum allowed load inductance is limited.

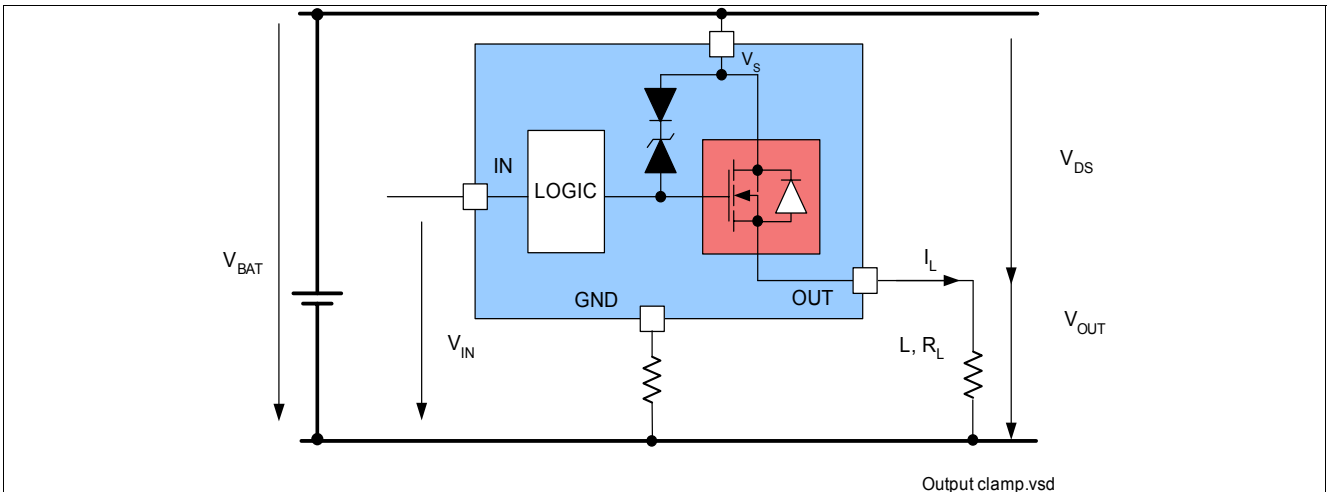


Figure 6 Output clamp (OUT0 and OUT1)

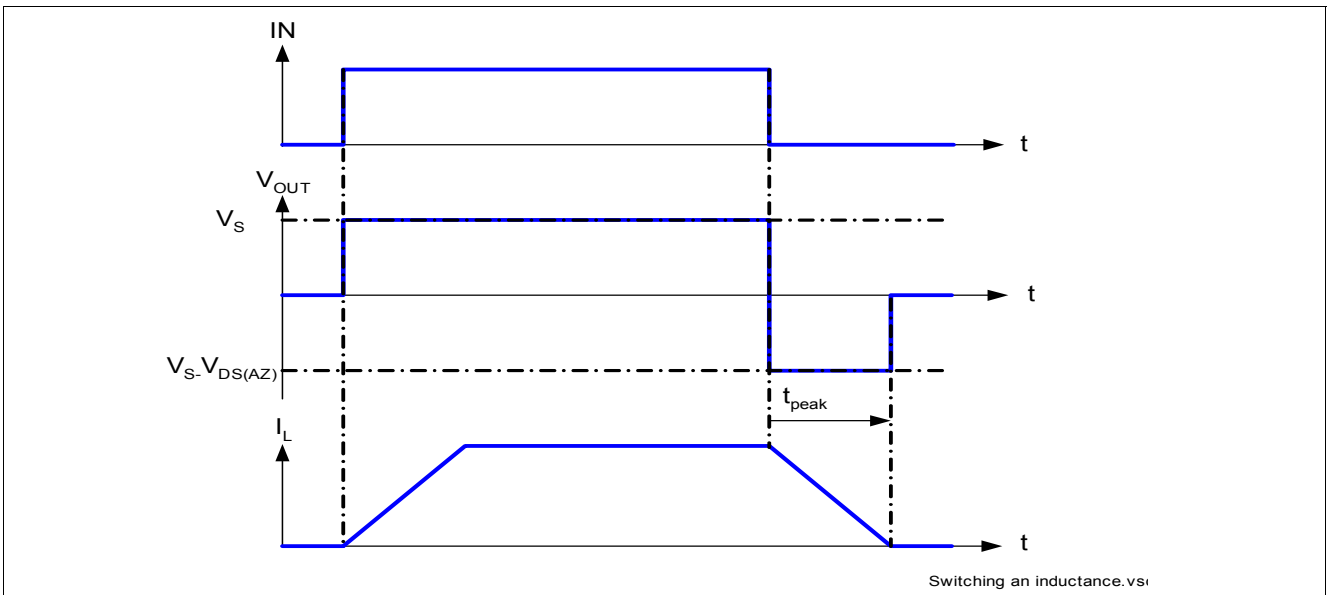


Figure 7 Switching an inductance

5.3.1 Maximum Load Inductance

During demagnetization of inductive loads, energy has to be dissipated in the BTS4130QGA. This energy can be calculated with following equation:

$$E = V_{DS(AZ)} \cdot \frac{L}{R_L} \left[\frac{V_S - V_{DS(AZ)}}{R_L} \cdot \ln\left(1 - \frac{R_L \cdot I_L}{V_S - V_{DS(AZ)}}\right) + I_L \right]$$

Following equation simplifies under the assumption of $R_L = 0\Omega$.

$$E = \frac{1}{2} \cdot L \cdot I^2 \cdot \left(1 - \frac{V_S}{V_S - V_{DS(AZ)}}\right)$$

The energy, which is converted into heat, is limited by the thermal design of the component. See [Figure 8](#) for the maximum allowed inductivity.

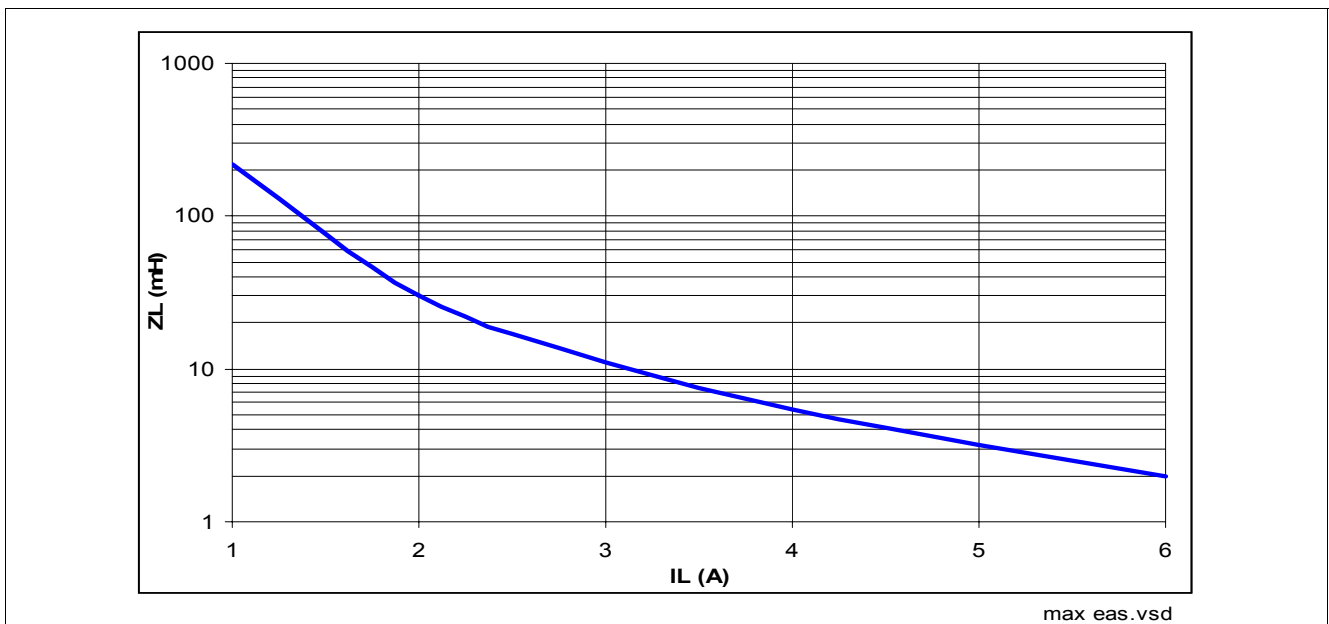


Figure 8 Maximum energy dissipation single pulse, $T_{j,Start} = 150\text{ °C}$

5.4 Electrical Characteristics Power Stage

Electrical Characteristics: Power stage

$V_S = 12\text{ V}$, $T_j = -40\text{ °C}$ to $+150\text{ °C}$. Typical values are given at $T_j = 25\text{ °C}$

Pos.	Parameter	Symbol	Limit values			Unit	Conditions
			Min.	Typ.	Max.		
5.4.1	ON-state resistance per channel	$R_{DS(ON)}$	–	130	–	mΩ	$T_j = 25\text{ °C}$, ¹⁾ $I_L = 2\text{ A}$, $V_{IN} = 5\text{ V}$, See Figure 4
			–	210	260		
5.4.2	Nominal load current per channel One channel active Two channel active Four channel active	$I_{L(nom)}$	2.1 1.5 1.1	– – –	– – –	A	$T_A = 85\text{ °C}$ ¹⁾ , $T_j < 150\text{ °C}$
5.4.3	Drain to source clamping voltage $V_{DS(AZ)} = V_S - V_{OUT}$	$V_{DS(AZ)}$	41	47	52	V	$I_{DS} = 40\text{ mA}$ ²⁾
5.4.4	Output leakage current per channel	$I_{L(OFF)}$	–	1	5	μA	$V_{IN} = 0\text{ V}$
5.4.5	Slew rate ON 10% to 30% V_{OUT}	dV/dt_{ON}	0.2	–	1	V/μs	$R_L = 12\text{ Ω}$, $V_S = 12\text{ V}$ See Figure 5
5.4.6	Slew rate OFF 70% to 40% V_{OUT}	$-dV/dt_{OFF}$	0.2	–	1.1	V/μs	
5.4.7	Turn-ON time to 90% V_S Includes propagation delay	t_{ON}	–	100	250	μs	
5.4.8	Turn-OFF time to 10% V_S Includes propagation delay	t_{OFF}	–	100	270	μs	

1) Not subject to production test, specified by design

2) Voltage is measured by forcing I_{DS} .

6 Protection Mechanisms

The device provides embedded protective functions. Integrated protection functions are designed to prevent the destruction of the IC from fault conditions described in the data sheet. Fault conditions are considered as “outside” normal operating range. Protection functions are designed for neither continuous nor repetitive operation.

6.1 Loss of Ground Protection

In case of loss of the module ground, where the load remains connected to ground, the device protects itself by automatically turning OFF (when it was previously ON) or remains OFF, regardless of the voltage applied on IN pins. In that case, a maximum $I_{(OUTGND)}$ can flow out of the output.

6.2 Undervoltage Protection

Below V_{SUV_max} , the under voltage mechanism is met. If the supply voltage is below the under voltage mechanism, the device is OFF (turns OFF). As soon as the supply voltage is above the under voltage mechanism, then the device can be switched ON and the protection functions are operational.

6.3 Overvoltage Protection

There is a clamp mechanism for over voltage protection. To guarantee this mechanism operates properly in the application, the current in the zener diode ZD_{AZ} has to be limited by a ground resistor. **Figure 9** shows a typical application to withstand overvoltage issues. In case of supply greater than $V_{S(AZ)}$, the power transistor switches ON and the voltage across logic section is clamped. As a result, the internal ground potential rises to $V_S - V_{S(AZ)}$. Due to the ESD zener diodes, the potential at pins IN and ST 0/1/2/3 rises almost to that potential, depending on the impedance of the connected circuitry. Integrated resistors are provided at the IN pins to protect the input circuitry from excessive current flow during this condition but an external resistor must be provided at the ST0/1/2/3 pins.

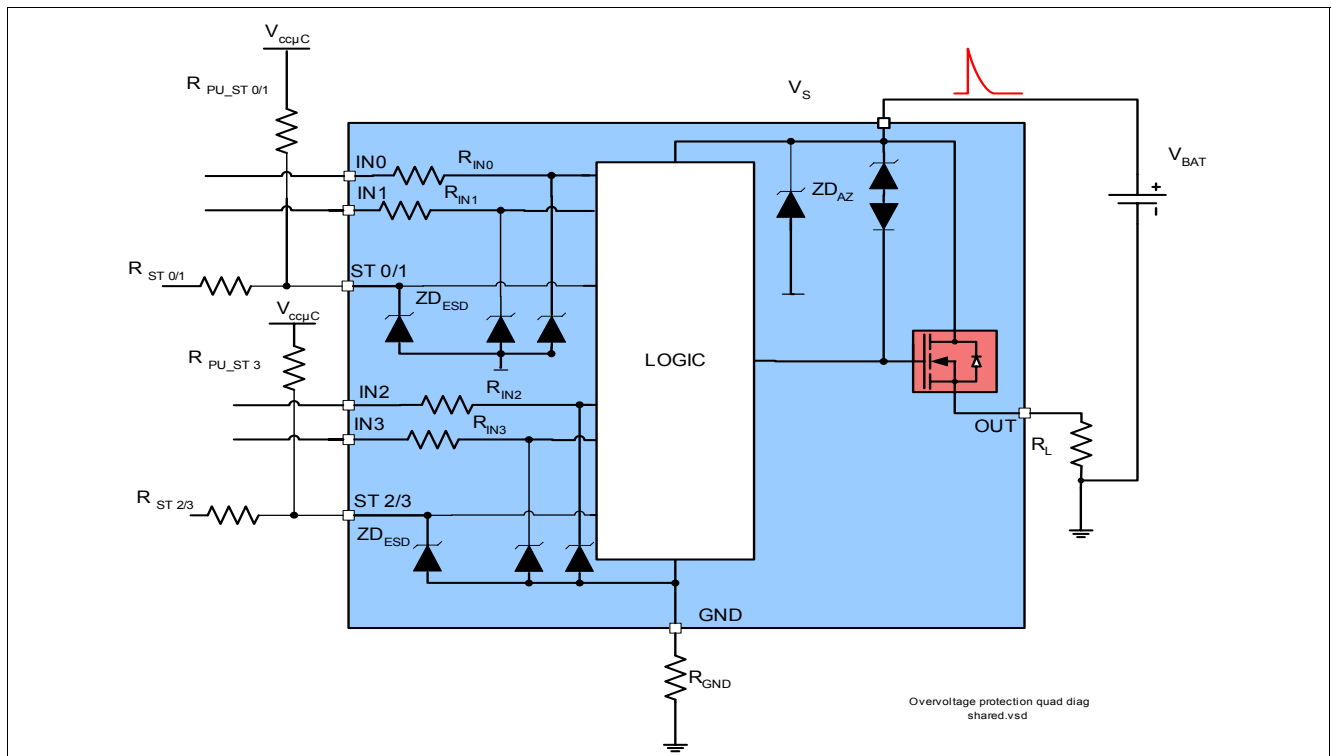


Figure 9 Over voltage protection with external components

In the case the supply voltage is in between of $V_{S(SC) \max}$ and $V_{DS(AZ)}$, the output transistor is still operational and follow the input. If at least one channel is in ON state, parameters are no longer warranted and lifetime is reduced compared to normal mode. This specially impacts the short circuit robustness, as well as the maximum energy E_{AS} the device can handle.

6.4 Reverse Polarity Protection

In case of reverse polarity, the intrinsic body diode causes power dissipation. The current in this intrinsic body diode is limited by the load itself. Additionally, the current into the ground path and the logical pins has to be limited to the maximum current described in **Chapter 4.1**, sometimes with an external resistor. **Figure 10** shows a typical application. The R_{GND} resistor is used to limit the current in the zener protection of the device. Resistors R_{IN} and R_{ST} are used to limit the current in the logic of the device and in the ESD protection stage. The recommended value for R_{GND} is 150Ω , for $R_{ST 0/1} = 15k\Omega$. In case the over voltage is not considered in the application, R_{GND} can be replaced by a Shottky diode.

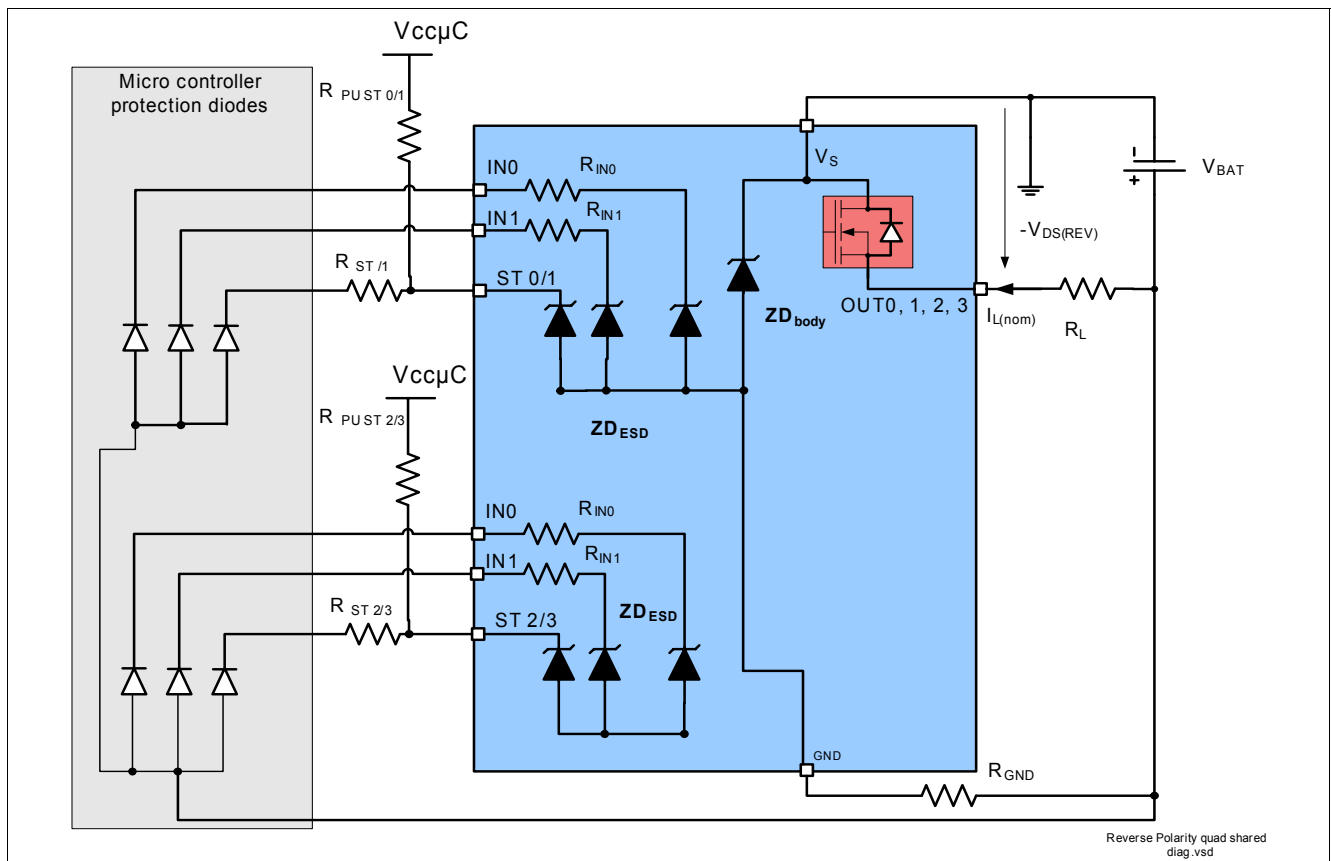


Figure 10 Reverse polarity protection with external components

6.5 Overload Protection

In case of overload, or short circuit to ground, the BTS4130QGA offers several protections mechanisms.

6.5.1 Current Limitation

At first step, the instantaneous power in the switch is maintained to a safe level by limiting the current to the maximum current allowed in the switch $I_{L(LIM)}$. During this time, the DMOS temperature is increasing, which affects the current flowing in the DMOS. At thermal shutdown, the device turns OFF and cools down. A restart mechanism is used, after cooling down, the device restarts and limits the current to $I_{L(SCR)}$. **Figure 11** shows the behavior of the current limitation as a function of time.

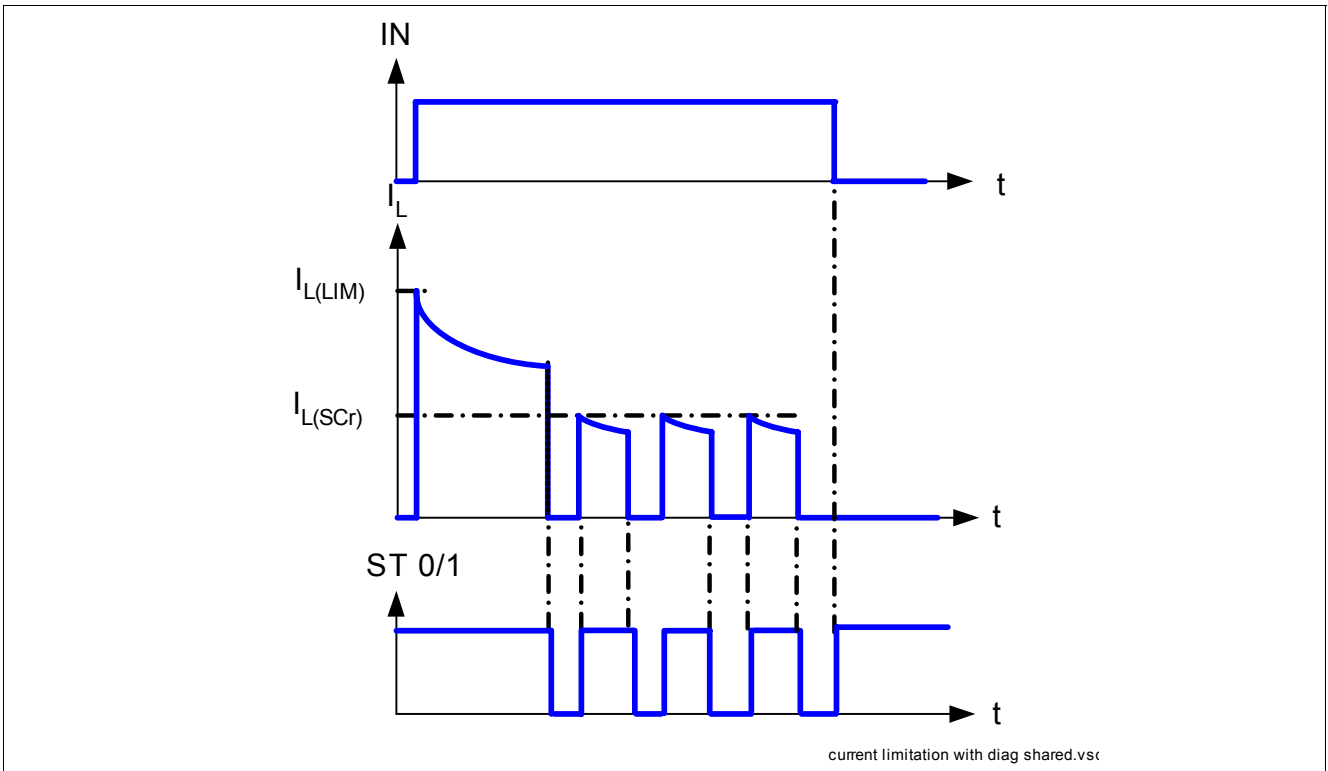


Figure 11 Current limitation function of the time

6.6 Electrical Characteristics Protection Functions

Electrical Characteristics: Protection

$V_S = 12\text{ V}$, $T_j = -40\text{ °C}$ to $+150\text{ °C}$. Typical values are given at $T_j = 25\text{ °C}$

Pos.	Parameter	Symbol	Limit values			Unit	Conditions
			Min.	Typ.	Max.		
Loss of ground							
6.6.1	Output leakage current while GND disconnected	$I_{\text{OUT(GND)}}$	–	–	2	mA	$V_S = 32\text{V}$ $V_{\text{IN}} = 0\text{V}$
Reverse polarity							
6.6.2	Drain source diode voltage during reverse polarity	$-V_{\text{DS(REV)}}$	–	600	–	mV	$I_L = -2\text{A}$, $T_j = 150\text{°C}$ $V_{\text{IN}} = 0\text{V}$
Overvoltage							
6.6.3	Over voltage protection	$V_{\text{S(AZ)}}$	41	47	52	V	$I_s = 40\text{mA}$
Overload condition							
6.6.4	Load current limitation	$I_{\text{L(LIM)}}$	– – 5	– 9 –	14 – –	A	$T_j = -40\text{°C}$, $T_j = 25\text{°C}$, $T_j = 150\text{°C}$
6.6.5	Repetitive short circuit current limit	$I_{\text{L(SCR)}}$	– –	6.5 6.5	– –	A	One channel ¹⁾ Two channel ¹⁾ parallel
6.6.6	Thermal shutdown temperature	T_{JSC}	150	–	–	°C	–
6.6.7	Thermal shutdown hysteresis	ΔT_{JT}	–	10	–	K	– ¹⁾

1) Not subject to production test, but specified by design

7 Diagnostic Mechanism

For diagnosis purpose, the BTS4130QGA provides status pin.

7.1 ST 0/1/2/3 Pin

BTS4130QGA status pins are an open drain, active low circuit. **Figure 12** shows the equivalent circuitry. As long as no “hard” failure mode occurs (Short circuit to GND / Over temperature or open load in OFF), the signal is permanently high, and due to a required external pull-up to the logic voltage will exhibit a logic high in the application. A suggested value for the $R_{PU\ ST01}$ is 15 k Ω .

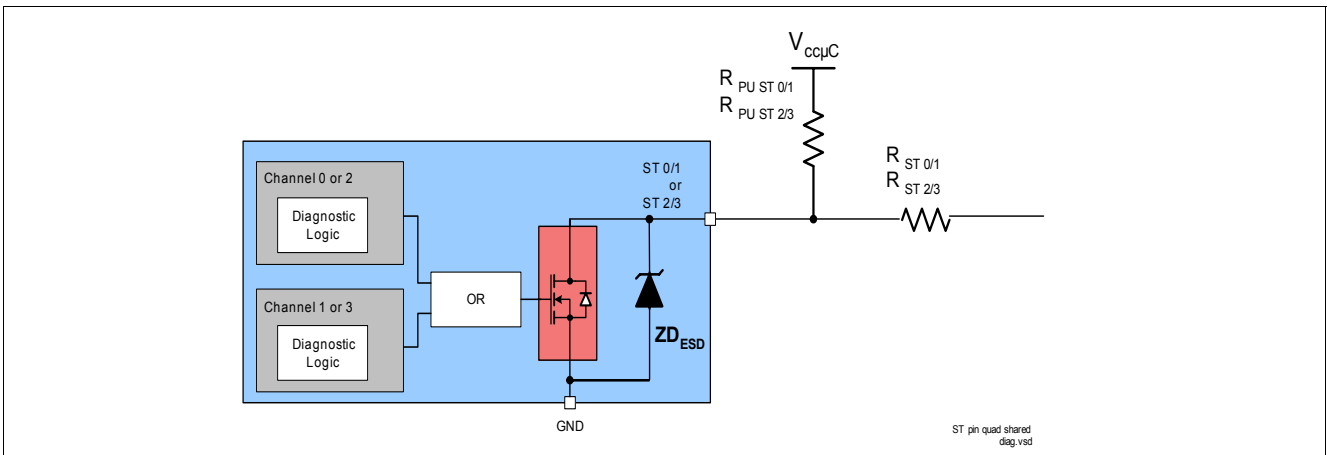


Figure 12 Status output circuitry

7.2 ST0/1/2/3 Signal in Case of Failures

Table 2 gives a quick reference for the logical state of the ST 0/1/2/3 pins during device operation.

Table 2 ST 0/1 2/3 truth table

Device operation	IN0/2	IN1/3	OUT0/2	OUT1/3	ST 0/1 ST2/3
Normal operation	L	L	L	L	H
	L	H	L	H	
	H	L	H	L	
	H	H	H	H	
Open Load channel 0/2	L	X	$> V_{(OL)}$	X	L ¹⁾
	H	X	H	X	H
Open Load channel 1/3	X	L	X	$> V_{(OL)}$	L ¹⁾
	X	H	X	H	H
Over temperature both channel	L	L	L	L	H
	X	H	X	L	L
	H	X	L	X	L
Over temp channel 0/2	L	X	L	X	H
	H	X	L	X	L
Over temp channel 1/3	X	L	X	L	H
	X	H	X	L	L

1) L if potential at the output exceeds the Openload detection voltage

7.2.1 Diagnostic in Open Load, Channel OFF

For open load diagnosis in OFF-state, an external output pull-up resistor (R_{OL}) is recommended. For calculation of the pull-up resistor value, the leakage currents and the open load threshold voltage $V_{OL(OFF)}$ has to be taken into account. **Figure 13** gives a sketch of the situation and **Figure 14** shows the typical timing diagram.

$I_{leakage}$ defines the leakage current in the complete system, including $I_{L(OFF)}$ (see **Chapter 5.4**) and external leakages e.g. due to humidity, corrosion, etc... in the application.

To reduce the stand-by current of the system, an open load resistor switch S_{OL} is recommended.

If the channel is OFF, the output is no longer pulled down by the load and V_{OUT} voltage rises to nearly V_S . This is recognized by the device as open load. The voltage threshold is given by $V_{OL(OFF)}$. In that case, the ST 0/1 signal is switched to a logical low $V_{ST01(L)}$.

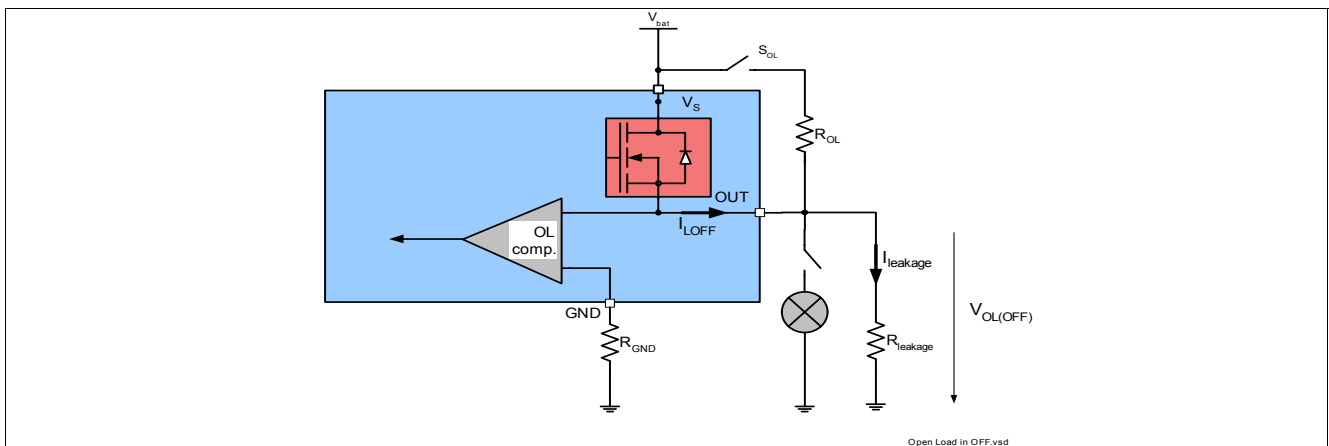


Figure 13 Open load detection in OFF electrical equivalent circuit

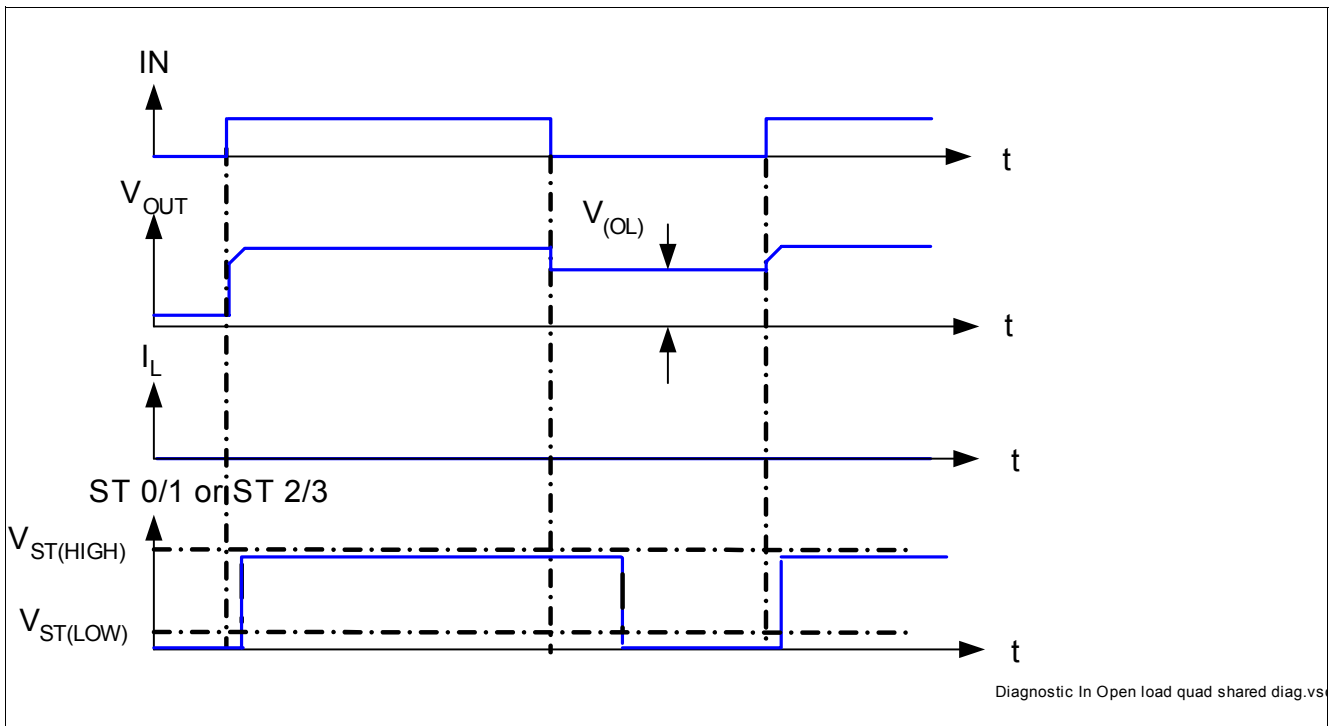


Figure 14 ST 0/1 in open load condition

7.2.2 ST 0/1 Signal in case of Over Temperature

In case of over temperature, the junction temperature reaches the thermal shutdown temperature T_{JSC} .

In that case, the ST 0/1 signal is toggling between $V_{ST01(L)}$ and $V_{ST01(H)}$. **Figure 15** gives a sketch of the situation.

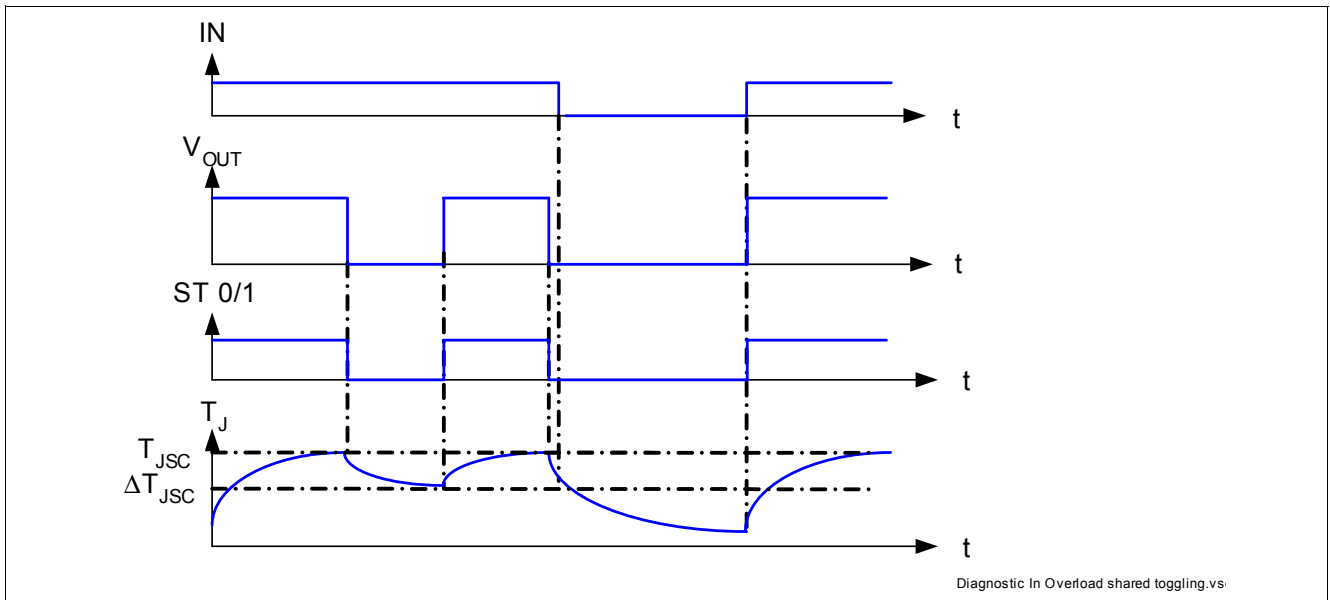


Figure 15 Sense signal in overtemperature condition

7.3 Electrical Characteristics Diagnostic Functions

Electrical Characteristics: Diagnostics

$V_S = 12\text{ V}$, $T_j = -40\text{ °C}$ to $+150\text{ °C}$. Typical values are given at $T_j = 25\text{ °C}$

Pos.	Parameter	Symbol	Limit values			Unit	Conditions
			Min.	Typ.	Max.		
Load condition threshold for diagnostic							
7.3.1	Open Load detection voltage	$V_{OL(OFF)}$	1.7	2.8	4.0	V	–
ST 0/1 or ST 2/3 pin							
7.3.2	Status output (open drain) High level; Zener limit voltage	$V_{ST(HIGH)}$	5.4	–	–	V	$I_{ST} = +1.6\text{mA}^{1)}$, Zener Limit voltage
7.3.3	Status output (open drain) Low level	$V_{ST(LOW)}$	–	–	0.6	V	$I_{ST} = +1.6\text{mA}^{1)}$
Diagnostic timing							
7.3.4	Status change after positive input slope with open load	$t_{dST(ON_OL)}$	–	10	20	μs	$_{-}^{2)}$
7.3.5	Status change after positive input slope with overload	$t_{dST(ON_OVL)}$	30	–	–	μs	$_{-}^{2)}$
7.3.6	Status change after negative input slope with open load	$t_{dST(OFF_OL)}$	–	–	500	μs	–
7.3.7	Status change after negative input slope with overtemperature	$t_{dST(OFF)}$	–	–	20	μs	$_{-}^{2)}$

1) If ground resistor R_{GND} is used, the voltage drop across this resistor has to be added

2) Not subject to production test, specified by design

8 Input Pins

8.1 Input Circuitry

The input circuitry is CMOS compatible. The concept of the Input pin is to react to voltage transition and not to voltage threshold. With the Schmidt trigger, it is impossible to have the device in an un-defined state, if the voltage on the input pin is slowly increasing or decreasing. The output is either OFF or ON but cannot be in an linear or undefined state. The input circuitry is compatible with PWM applications. **Figure 16** shows the electrical equivalent input circuitry. The pull down current source ensures the channel is OFF with a floating input.

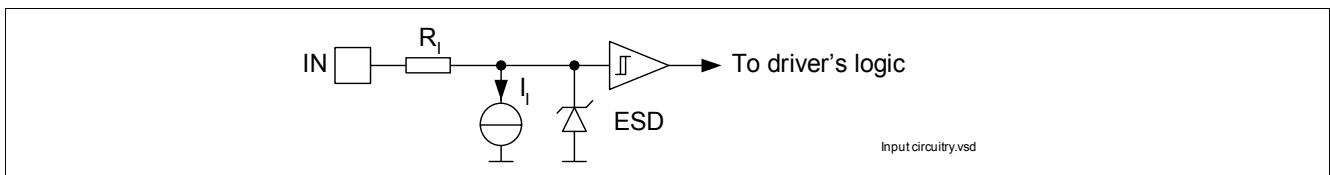


Figure 16 Input pin circuitry

8.2 Electrical Characteristics

Electrical Characteristics: Diagnostics

$V_S = 12\text{ V}$, $T_j = -40\text{ °C}$ to $+150\text{ °C}$, all voltages with respect to ground, positive current flowing into pin (unless otherwise specified) Typical values are given at $T_j = 25\text{ °C}$

Pos.	Parameter	Symbol	Limit values			Unit	Conditions
			Min.	Typ.	Max.		
Input pins characteristics							
8.2.1	Low level input voltage	$V_{IN(L)}$	–	–	1	V	^{–1)}
8.2.2	High level input voltage	$V_{IN(H)}$	2.5	–	–	V	^{–1)}
8.2.3	Input voltage hysteresis	$V_{IN(HYS)}$	–	0.2	–	V	^{–2)}
8.2.4	Low level input current	$I_{IN(L)}$	5	–	20	μA	$V_{IN} = 0.4\text{V}$
8.2.5	High level input current	$I_{IN(H)}$	10	35	60	μA	$V_{IN} = 5\text{V}$
8.2.6	Input resistance	R_I	2.5	4	6	kΩ	See Figure 16

1) If ground resistor R_{GND} is used, the voltage drop across this resistor has to be added

2) Not subject to production test, specified by design

9 Application Information

Note: The following information is given as a hint for the implementation of the device only and shall not be regarded as a description or warranty of a certain functionality, condition or quality of the device.

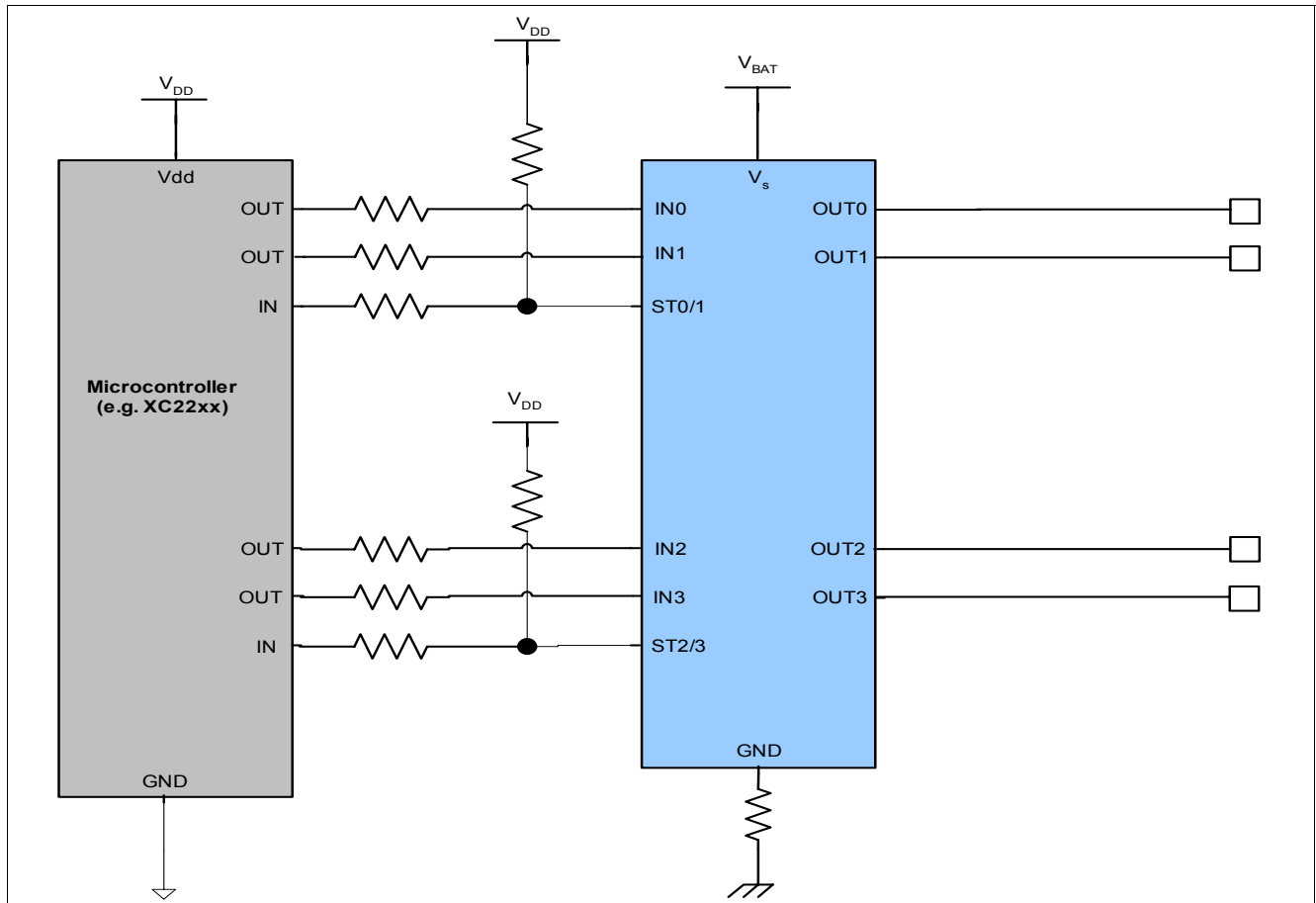


Figure 17 Application diagram with BTS4130QGA

Note: This is a very simplified example of an application circuit. The function must be verified in the real application.

9.1 Further Application Information

- For further information you may visit <http://www.infineon.com/>

10 Package Outlines

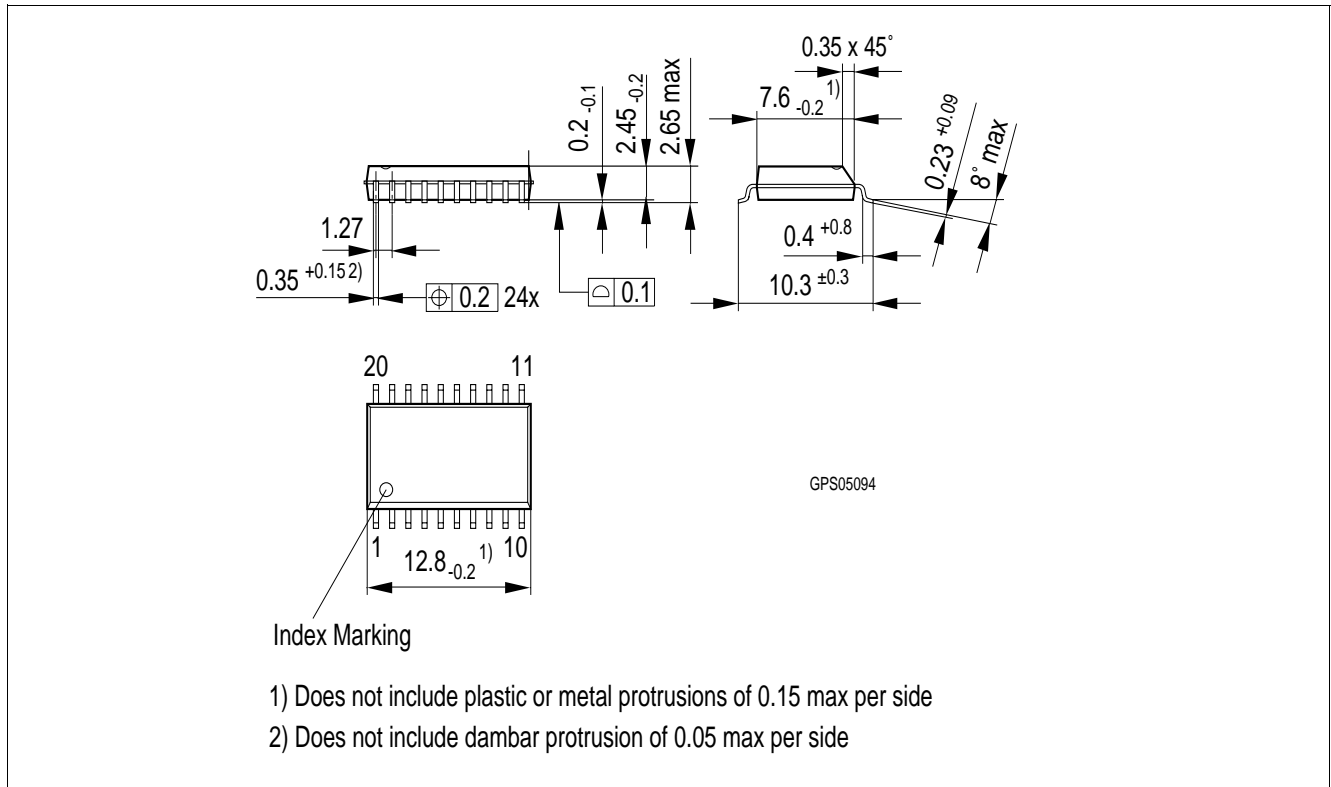


Figure 18 PG-DSO-20-32 (Plastic Dual Small Outline Package)

Green Product (RoHS compliant)

To meet the world-wide customer requirements for environmentally friendly products and to be compliant with government regulations the device is available as a green product. Green products are RoHS-Compliant (i.e Pb-free finish on leads and suitable for Pb-free soldering according to IPC/JEDEC J-STD-020).

11 Revision History

Version	Date	Changes
1.0	2008-03-18	Creation of the data sheet

Edition 2008-03-18

**Published by
Infineon Technologies AG
81726 Munich, Germany**

**© 2008 Infineon Technologies AG
All Rights Reserved.**

Legal Disclaimer

The information given in this document shall in no event be regarded as a guarantee of conditions or characteristics. With respect to any examples or hints given herein, any typical values stated herein and/or any information regarding the application of the device, Infineon Technologies hereby disclaims any and all warranties and liabilities of any kind, including without limitation, warranties of non-infringement of intellectual property rights of any third party.

Information

For further information on technology, delivery terms and conditions and prices, please contact the nearest Infineon Technologies Office (www.infineon.com).

Warnings

Due to technical requirements, components may contain dangerous substances. For information on the types in question, please contact the nearest Infineon Technologies Office.

Infineon Technologies components may be used in life-support devices or systems only with the express written approval of Infineon Technologies, if a failure of such components can reasonably be expected to cause the failure of that life-support device or system or to affect the safety or effectiveness of that device or system. Life support devices or systems are intended to be implanted in the human body or to support and/or maintain and sustain and/or protect human life. If they fail, it is reasonable to assume that the health of the user or other persons may be endangered.