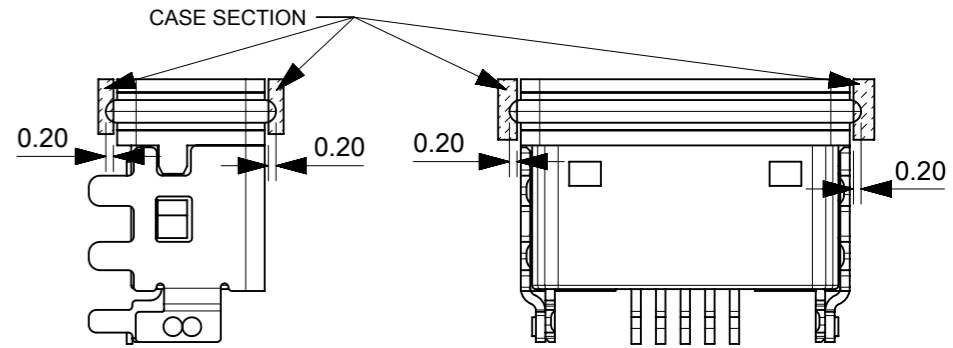
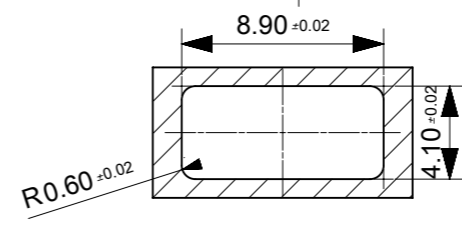


- NOTES:
- MATERIAL:
HOUSING: LCP, BLACK, UL94V-0;
TERMINAL: COPPER ALLOY, THICKNESS: 0.15mm;
SHELL: STAINLESS STEEL, THICKNESS: 0.25mm;
METAL TAB: STAINLESS STEEL, THICKNESS: 0.25mm;
SEALING RING: SILICON RUBBER.
 - PLATING:
TERMINAL: CONTACT AREA: GOLD FLASH OVER MINIMUM 0.75MICRON Pd/Ni;
SOLDER TAIL AREA: GOLD FLASH; UNDER PLATING: NICKEL 2.0MICRON MINIMUM.
SHELL/METAL TAB: 1.27MICRON MINIMUM SOLDERABLE NICKEL PLATING OVERALL.
 - TAIL COPLANARITY 0.08mm MAXIMUM.
 - PRODUCT SPECIFICATION: 2049260001.
 - PACKAGE SPECIFICATION: 2049263333.
 - PRODUCT MEET IP67 TEST REQUEST.
 - COMPLIANT TO ROHS DIRECTIVE 2011/65/EU AND ELV 2000/53/EC.



WATERPROOF APPLICATION:
CUSTOMER'S CASE NEED TO COMPRESS THE SEALING RING
0.20mm AROUND TO ACHIEVE THE IPX7.

2049261104	0.50±0.08
2049261103	1.00±0.12
PART NUMBER	DIM A

5	GND
4	ID
3	D+
2	D-
1	VBUS
PIN	NAME
PIN ASSIGNMENT	

QUALITY SYMBOLS	THIS DRAWING CONTAINS INFORMATION THAT IS PROPRIETARY TO MOLEX ELECTRONIC TECHNOLOGIES, LLC AND SHOULD NOT BE USED WITHOUT WRITTEN PERMISSION																																																																		
▽ = 0	<table border="1"> <tr> <td>2018/07/11</td> <td>DRWN: TL197</td> <td>2018/07/16</td> <td>CHK'D: RZHANG</td> <td>2018/07/16</td> <td>APPR: RZHANG</td> </tr> <tr> <td>EC NO: 601287</td> <td>DRWN: TL197</td> <td>CHK'D: RZHANG</td> <td>APPR: RZHANG</td> <td>DATE: 2017/08/01</td> <td>DATE: 2017/08/01</td> </tr> <tr> <td>DRWN: TL197</td> <td>CHK'D: RZHANG</td> <td>APPR: RZHANG</td> <td>DATE: 2017/08/01</td> <td>DATE: 2017/08/01</td> <td>DATE: 2017/08/01</td> </tr> <tr> <td>DRWN: TL197</td> <td>CHK'D: RZHANG</td> <td>APPR: RZHANG</td> <td>DATE: 2017/08/01</td> <td>DATE: 2017/08/01</td> <td>DATE: 2017/08/01</td> </tr> <tr> <td>DRWN: TL197</td> <td>CHK'D: RZHANG</td> <td>APPR: RZHANG</td> <td>DATE: 2017/08/01</td> <td>DATE: 2017/08/01</td> <td>DATE: 2017/08/01</td> </tr> <tr> <td>DRWN: TL197</td> <td>CHK'D: RZHANG</td> <td>APPR: RZHANG</td> <td>DATE: 2017/08/01</td> <td>DATE: 2017/08/01</td> <td>DATE: 2017/08/01</td> </tr> <tr> <td>DRWN: TL197</td> <td>CHK'D: RZHANG</td> <td>APPR: RZHANG</td> <td>DATE: 2017/08/01</td> <td>DATE: 2017/08/01</td> <td>DATE: 2017/08/01</td> </tr> <tr> <td>DRWN: TL197</td> <td>CHK'D: RZHANG</td> <td>APPR: RZHANG</td> <td>DATE: 2017/08/01</td> <td>DATE: 2017/08/01</td> <td>DATE: 2017/08/01</td> </tr> <tr> <td>DRWN: TL197</td> <td>CHK'D: RZHANG</td> <td>APPR: RZHANG</td> <td>DATE: 2017/08/01</td> <td>DATE: 2017/08/01</td> <td>DATE: 2017/08/01</td> </tr> <tr> <td>DRWN: TL197</td> <td>CHK'D: RZHANG</td> <td>APPR: RZHANG</td> <td>DATE: 2017/08/01</td> <td>DATE: 2017/08/01</td> <td>DATE: 2017/08/01</td> </tr> <tr> <td>DRWN: TL197</td> <td>CHK'D: RZHANG</td> <td>APPR: RZHANG</td> <td>DATE: 2017/08/01</td> <td>DATE: 2017/08/01</td> <td>DATE: 2017/08/01</td> </tr> </table>	2018/07/11	DRWN: TL197	2018/07/16	CHK'D: RZHANG	2018/07/16	APPR: RZHANG	EC NO: 601287	DRWN: TL197	CHK'D: RZHANG	APPR: RZHANG	DATE: 2017/08/01	DATE: 2017/08/01	DRWN: TL197	CHK'D: RZHANG	APPR: RZHANG	DATE: 2017/08/01	DATE: 2017/08/01	DATE: 2017/08/01	DRWN: TL197	CHK'D: RZHANG	APPR: RZHANG	DATE: 2017/08/01	DATE: 2017/08/01	DATE: 2017/08/01	DRWN: TL197	CHK'D: RZHANG	APPR: RZHANG	DATE: 2017/08/01	DATE: 2017/08/01	DATE: 2017/08/01	DRWN: TL197	CHK'D: RZHANG	APPR: RZHANG	DATE: 2017/08/01	DATE: 2017/08/01	DATE: 2017/08/01	DRWN: TL197	CHK'D: RZHANG	APPR: RZHANG	DATE: 2017/08/01	DATE: 2017/08/01	DATE: 2017/08/01	DRWN: TL197	CHK'D: RZHANG	APPR: RZHANG	DATE: 2017/08/01	DATE: 2017/08/01	DATE: 2017/08/01	DRWN: TL197	CHK'D: RZHANG	APPR: RZHANG	DATE: 2017/08/01	DATE: 2017/08/01	DATE: 2017/08/01	DRWN: TL197	CHK'D: RZHANG	APPR: RZHANG	DATE: 2017/08/01	DATE: 2017/08/01	DATE: 2017/08/01	DRWN: TL197	CHK'D: RZHANG	APPR: RZHANG	DATE: 2017/08/01	DATE: 2017/08/01	DATE: 2017/08/01
2018/07/11		DRWN: TL197	2018/07/16	CHK'D: RZHANG	2018/07/16	APPR: RZHANG																																																													
EC NO: 601287		DRWN: TL197	CHK'D: RZHANG	APPR: RZHANG	DATE: 2017/08/01	DATE: 2017/08/01																																																													
DRWN: TL197		CHK'D: RZHANG	APPR: RZHANG	DATE: 2017/08/01	DATE: 2017/08/01	DATE: 2017/08/01																																																													
DRWN: TL197		CHK'D: RZHANG	APPR: RZHANG	DATE: 2017/08/01	DATE: 2017/08/01	DATE: 2017/08/01																																																													
DRWN: TL197		CHK'D: RZHANG	APPR: RZHANG	DATE: 2017/08/01	DATE: 2017/08/01	DATE: 2017/08/01																																																													
DRWN: TL197		CHK'D: RZHANG	APPR: RZHANG	DATE: 2017/08/01	DATE: 2017/08/01	DATE: 2017/08/01																																																													
DRWN: TL197		CHK'D: RZHANG	APPR: RZHANG	DATE: 2017/08/01	DATE: 2017/08/01	DATE: 2017/08/01																																																													
DRWN: TL197		CHK'D: RZHANG	APPR: RZHANG	DATE: 2017/08/01	DATE: 2017/08/01	DATE: 2017/08/01																																																													
DRWN: TL197		CHK'D: RZHANG	APPR: RZHANG	DATE: 2017/08/01	DATE: 2017/08/01	DATE: 2017/08/01																																																													
DRWN: TL197	CHK'D: RZHANG	APPR: RZHANG	DATE: 2017/08/01	DATE: 2017/08/01	DATE: 2017/08/01																																																														
DRWN: TL197	CHK'D: RZHANG	APPR: RZHANG	DATE: 2017/08/01	DATE: 2017/08/01	DATE: 2017/08/01																																																														
▽ = 0																																																																			
▽ = 0																																																																			
▽ = 0																																																																			
▽ = 0																																																																			
▽ = 0																																																																			
▽ = 0																																																																			
▽ = 0																																																																			
▽ = 0																																																																			
▽ = 0																																																																			

GENERAL TOLERANCES (UNLESS SPECIFIED)	DIMENSION UNITS	SCALE
ANGULAR TOL ± 3.0 °	mm	10:1
4 PLACES ±	DRWN BY	DATE
3 PLACES ±	TL197	2017/05/26
2 PLACES ± 0.15	CHK'D BY	DATE
1 PLACE ± 0.25	RZHANG	2017/08/01
0 PLACES ±	APPR BY	DATE
DRAFT WHERE APPLICABLE MUST REMAIN WITHIN DIMENSIONS	RZHANG	2017/08/01
	DRAWING SIZE	THIRD ANGLE PROJECTION
	A3	

SALES DRAWING FOR MICRO WATERPROOF USB		
PRODUCT CUSTOMER DRAWING		
SERIES: 204926	MATERIAL NUMBER: SEE TABLE	CUSTOMER:
DOCUMENT NUMBER: 2049261111	DOC TYPE: PSD	DOC PART: 000
SHEET NUMBER: 1 OF 1		

molex®			
SALES DRAWING FOR MICRO WATERPROOF USB			
PRODUCT CUSTOMER DRAWING			
SERIES	MATERIAL NUMBER	CUSTOMER	
204926	SEE TABLE		
DOCUMENT NUMBER	DOC TYPE	DOC PART	SHEET NUMBER
2049261111	PSD	000	1 OF 1