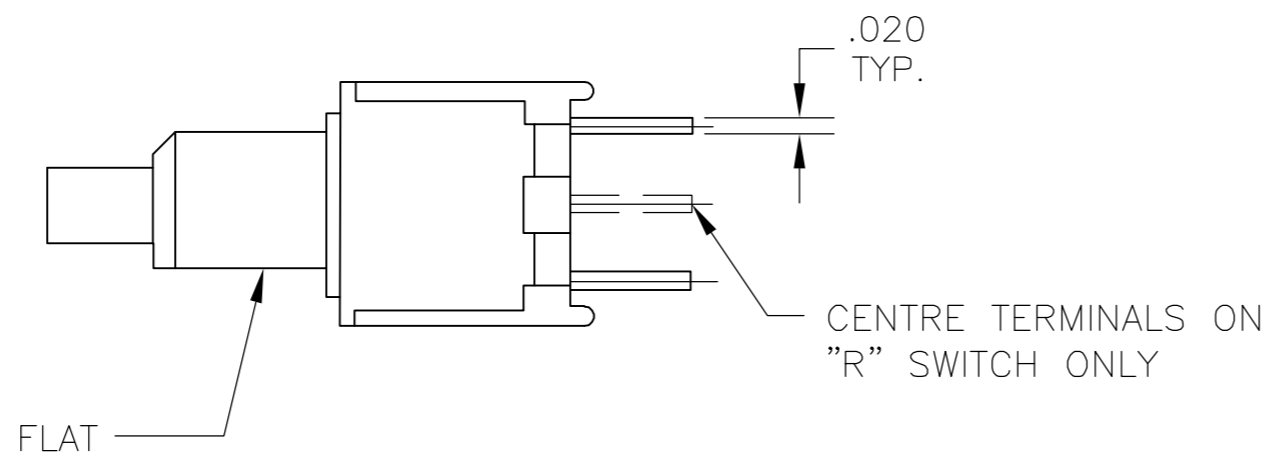


THIS DRAWING IS UNPUBLISHED. RELEASED FOR PUBLICATION
 © COPYRIGHT BY TYCO ELECTRONICS CORPORATION. ALL RIGHTS RESERVED.

LOC		DIST		REVISIONS			
AD	00	P	LTR	DESCRIPTION	DATE	DWN	APVD
		B		ECO-06-000585	10AUG06	BSV	MZ



SPECIFICATIONS:

MATERIALS:

CASE: HIGH TEMPERATURE POLYESTER, UL 94V-0.
 ACTUATOR BUTTON: THERMOPLASTIC. COLOR: SEE CHART BELOW.
 MOVING CONTACT: COPPER ALLOY. GOLD PLATED OVER NICKEL.
 FIXED CONTACT: COPPER ALLOY. GOLD PLATED OVER NICKEL.
 TERMINALS: COPPER ALLOY. TIN LEAD PLATED.
 TERMINAL SEAL: SP EPOXY.
 DP EPOXY OPTIONAL.

ELECTRICAL:

CONTACT RATING: GOLD = 0.4 VA MAX. @ 20 VDC OR PEAK AC.
 INITIAL CONTACT RESISTANCE: 20 MILLIOHMS MAX.
 INSULATION RESISTANCE: 1,000 MEGOHMS @ 500 VDC MIN.
 DIELECTRIC STRENGTH: 1,000 VAC @ SEA LEVEL.
 LIFE EXPECTANCY: GOLD 1 POLE=100,000 CYCLES.
 2 POLE=80,000 CYCLES.

MECHANICAL:

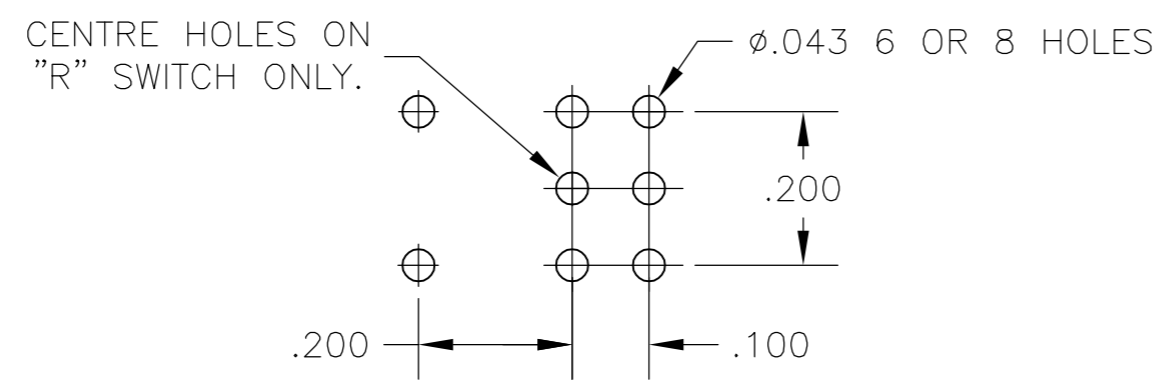
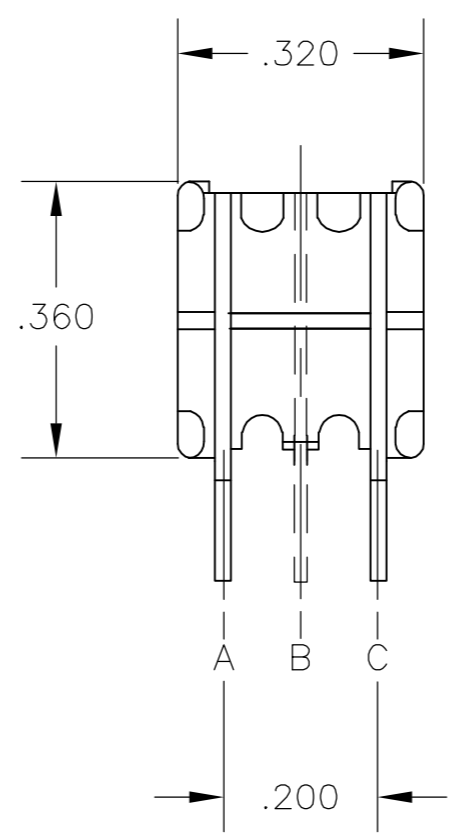
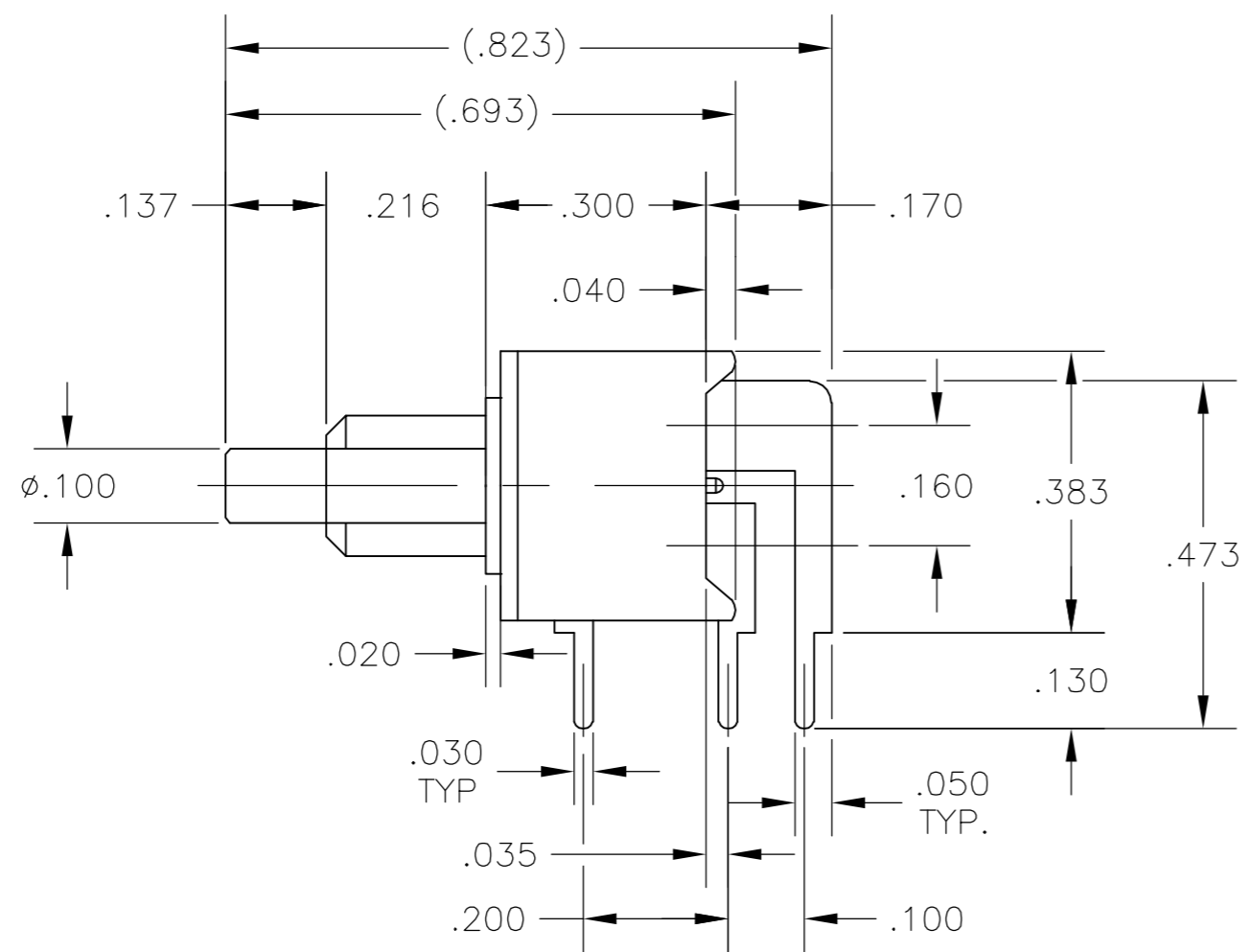
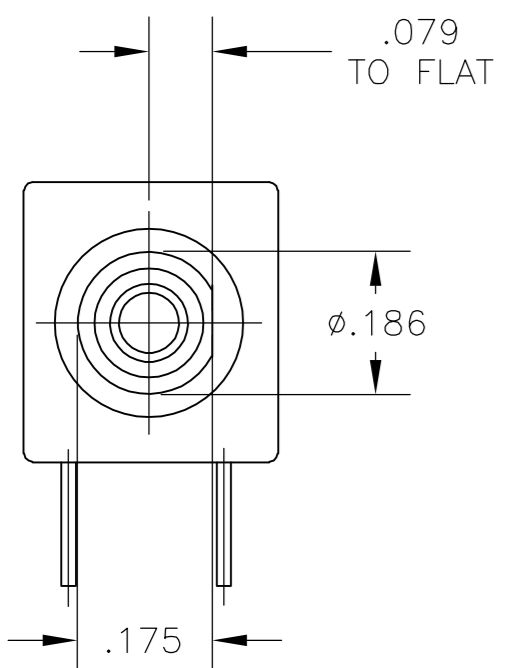
ACTUATION FORCE: 50 TO 400g.
 ACTUATION TRAVEL: .030 APPROX.

ENVIRONMENTAL:

OPERATING TEMPERATURE: -22°F TO +149°F (-30°C TO +65°C).
 STORAGE TEMPERATURE: -22°F TO +149°F (-30°C TO +65°C).

NOTES:

1. INTERPRET DRAWING PER ANSI Y14.5M-1994.



RECOMMENDED HOLE LAYOUT
 TOLERANCE ±.002 UNLESS OTHERWISE NOTED

(*)	SPECIFY COLORS BUTTON
0	BLACK
2	RED
6	BLUE

CONTACTS			
MODEL NO	ACTION	FREE BUTTONS	DEPRESSED BUTTON
TPB21MG-RA(*)	DPST NORMALLY OPEN	NONE	A TO C
TPB21RG-RA(*)	DPDT MOMENTARY	B TO A	B TO C (MOM)

THIS DRAWING IS A CONTROLLED DOCUMENT.		DWN	ED.R	11FEB86	 Tyco Electronics Corporation Harrisburg, Pa 17105-3608
DIMENSIONS: INCHES		CHK	J.S	13FEB86	
TOLERANCES UNLESS OTHERWISE SPECIFIED:		APVD	S.D.C	18FEB86	
0 PLC ± - 1 PLC ± - 2 PLC ± - 3 PLC ± .010 4 PLC ± - ANGLES ± 1°		NAME		PRODUCT SPEC	
MATERIAL SEE SPECIFICATIONS		FINISH SEE SPECIFICATIONS		WEIGHT -	SIZE A2 CAGE CODE 00779 DRAWING NO C=8-1437571-6 RESTRICTED TO -
CUSTOMER DRAWING				SCALE 4:1	SHEET 1 OF 1 REV B

8-1437571-6