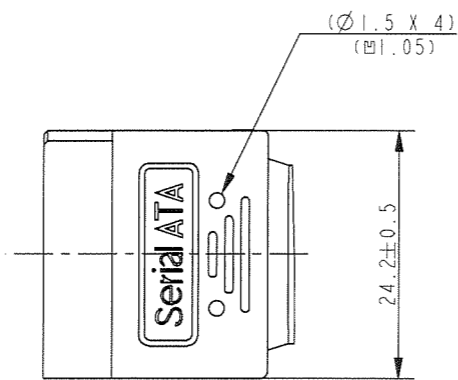
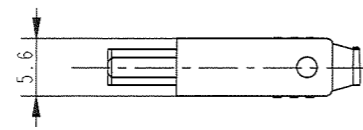
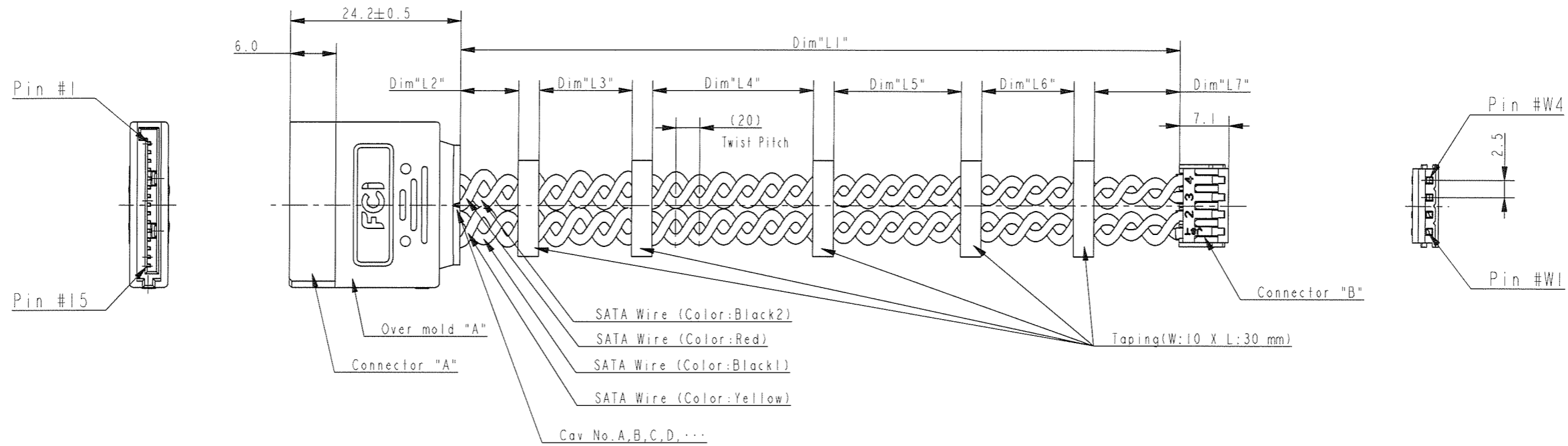


1	2		3		4		5		6		7		8	
Product No.	Dim"L1"	Dim"L2"	Dim"L3"	Dim"L4"	Dim"L5"	Dim"L6"	Dim"L7"	Connector "A"	Over mold "A"	Connector "B"	SATA Wire	Solder	Taping	
10111728-15S260HLF	260±10	50±8	140±10			50±8		SATA 15P Receptacle connector Straight type Housing, Back Cover: Heat resistant resin, Halogen Free, UL94V-0, Color Black Contact: Copper Alloy Contact Area: Gold over Ni	Heat resistant resin, Halogen Free, UL94V-0, Color Black	EH 4P Connector (2.5mmP Wire/Board Connector)  Maker: JST Part No.: Housing: EHR-4 Terminal: SEH-001 T-P0.6	XLPE Insulation Wire (UL3385 AWG22 VW-1 HF -F-) Color Black X2, Red, Yellow	Sn96.5-Ag3.0-Cu0.5 (Lead Free)	UL510 tape (Wide: 10 X Length: 30) Color Black  Maker: Nitto Denko Product No.: No.223S	
10111728-15S300HLF	300±10		90±10											



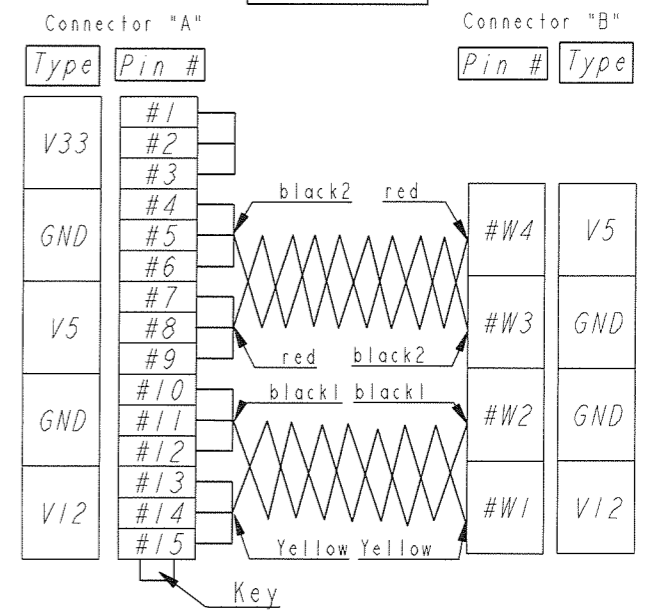
**NOTE)**

- 1) This product is based on Serial ATA Revision 2.6.
- 2) This product is manufactured by soldering process.
- 3) For Dim"L1", please inquire to sales person in our company.
- 4) Product SPEC: GS-12-672
- 5) Package SPEC: GS-14-1056
- 6) P/N composition

10111728 - 15 S XXX H LF

- Lead Free
- Halogen Free
- Cable length: Dim "L1"
- SATA Side Type: (S: Straight, R: R/A)
- Power connector position

Wiring Table:  
Pin Assignment



Copyright FCI

www.fciconnect.com		surface ISO 1302	tolerance std ISO 406 ISO 1101	projection	MM
		TOLERANCES UNLESS OTHERWISE SPECIFIED		size A2	Scale N/A
Dr	T. Ishishita	2010-10-14	ANGULAR	0.X ±0.4	
Eng	T. Ishishita	2010-10-14	LINEAR	0.XX ±0.4	
Chr	T. Yamada	2010-10-14	0° ±4"	0.XXX ±0.4	ECN J10-0210
Appr	Miyama	09/18/10	Product family	233F	Spec ref
FCI		Title		Rev.	
		SATA 15P Power Cable Harness		10111728	
		SATA 15P Receptacle Straight Cable twist		A	
		catalog no		CUSTOMER sheet 1 of 1	