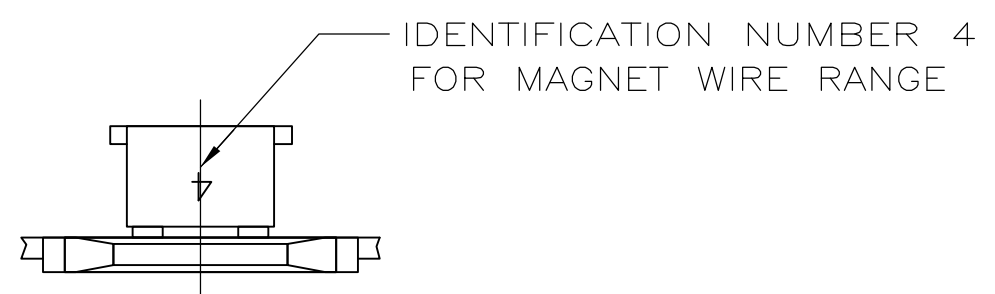
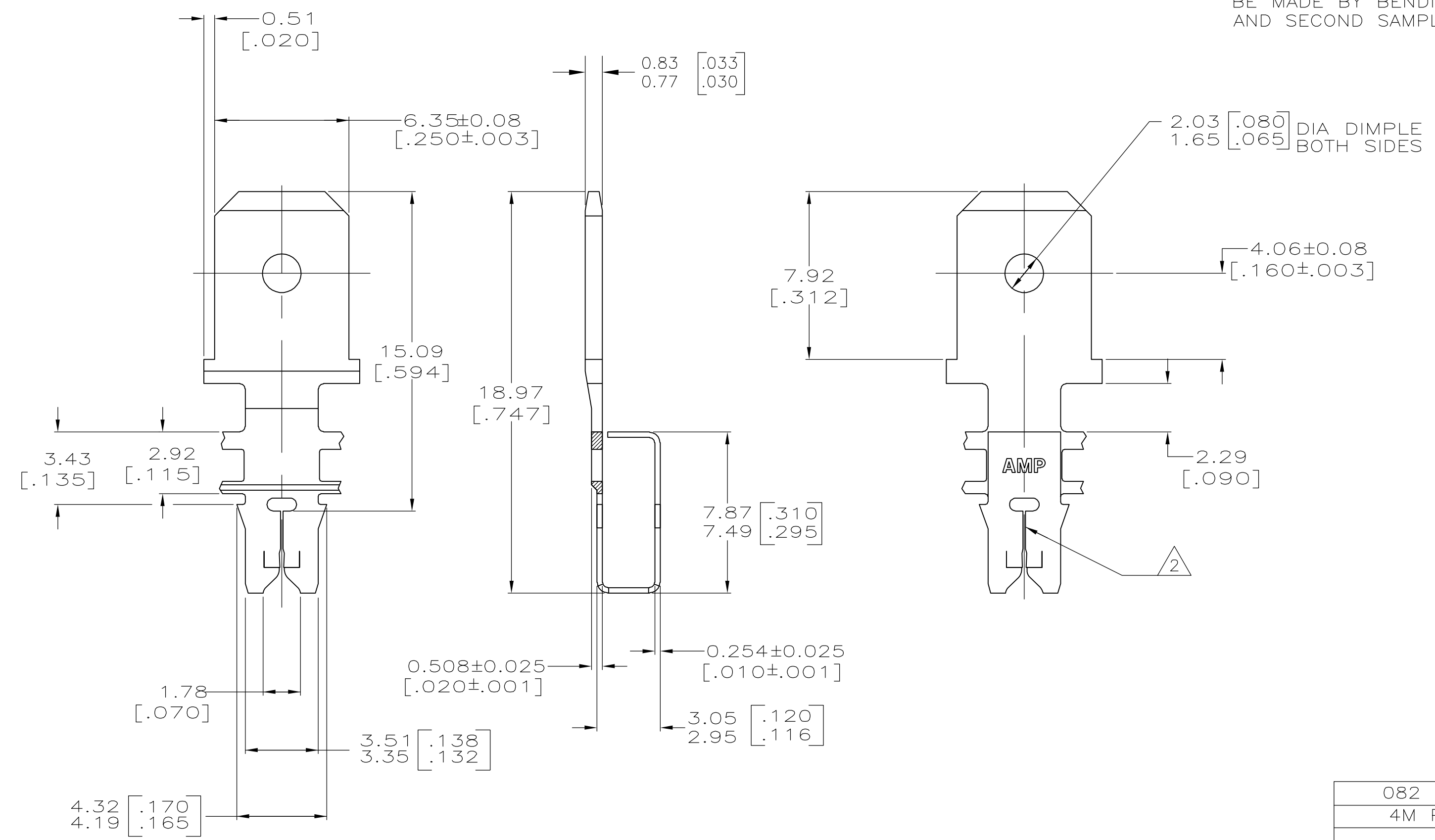


THIS DRAWING IS UNPUBLISHED. RELEASED FOR PUBLICATION  
 © COPYRIGHT BY TYCO ELECTRONICS CORPORATION. ALL RIGHTS RESERVED.

LOC		DIST		REVISIONS			
P	LTR	DESCRIPTION		DATE	DWN	APVD	
AF	50	S	REVISED PER ECR-06-010412	03NOV06	HMR	KR	



- 1 CONTINUOUS STRIP ON REELS WITH TERMINALS LOCATED ON  $8.38 \pm 0.08$  [.330 ± .003] CENTERS.
- 2 SLOT TERMINATES EITHER A SINGLE OR DOUBLE MAGNET WIRE OF THE SAME TYPE AND SIZE, COPPER RANGE; 0.18-0.23mm [#33-#31] AWG.
- 3 AFTER INSERTION INTO PLASTIC HOLDER, TAB PORTION MUST BE BENT OVER 45° TO 90° OR POTTED-IN TO PREVENT PULL-OUT WHEN MATING RECEPTACLE IS DISCONNECTED.
- 4 TABS MUST WITHSTAND 3-90° BENDS. TESTS ARE TO BE MADE BY BENDING FIRST SAMPLE OVER THE BOX AND SECOND SAMPLE AWAY FROM THE BOX.



082 PRE-MILLED BRASS	4	62600-2
4M PRE-MILLED BRASS		62600-1
MATERIAL		PART NO

THIS DRAWING IS A CONTROLLED DOCUMENT.		DWN	26/JUL/94		Tyco Electronics Corporation	
		CHK	3/AUG/94		Harrisburg, PA 17105-3608	
		APVD	5/AUG/94	NAME	TAB, 6.35[.250] FASTON™ MAG-MATE™	
DIMENSIONS: mm [INCHES]		TOLERANCES UNLESS OTHERWISE SPECIFIED:		PRODUCT SPEC	108-2012	
		0 PLC ± -		APPLICATION SPEC	114-2046	
		1 PLC ± -		SIZE	CAGE CODE	DRAWING NO
		2 PLC ± 0.15 [.006]		WEIGHT	A2	00779
		3 PLC ± -		CUSTOMER DRAWING	SCALE	6:1
		4 PLC ± -		RESTRICTED TO	SHEET	1 of 1
		ANGLES ± - -		REV	S	
MATERIAL SEE TABLE		FINISH 0.002032 [.000080] MIN TIN				