

6

5

4

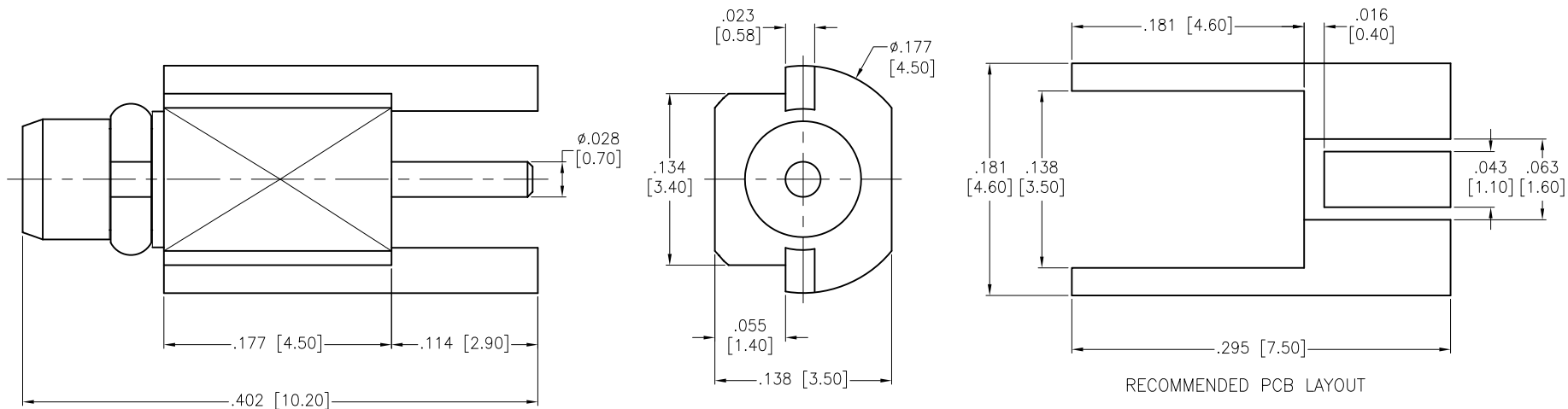
3

2

1

APPROVED: _____
 DATE: _____ TITLE: _____

Rev	AWO #	Description	Date	Appr
-		RELEASED	5/13/19	



RING	BE CU	GOLD
CONTACT PIN	BRASS	GOLD
INSULATOR	PTFE	WHITE
BODY	BRASS	GOLD
DESCRIPTION	MATERIAL	FINISH

SPECIFICATIONS:

Electrical:
 Nominal Impedance: 50 ohms
 Frequency range: 0-6 GHz
 Working Voltage: 170 VOLTS Max
 Proof Voltage: 500 VOLTS
 Temperature Rating:
 Operating temperature: -55°C to +155°C
 Environmental:
 Lead free, RoHS compliant.



UNLESS OTHERWISE SPECIFIED ALL DIMENSIONS ARE INCHES [MM] TOLERANCES: EXCEPT AS NOTED		
INCHES		
.X	± .10	HOLES
.XX	± .020	Ø.X
.XXX	± .015	Ø.XX
		Ø.XXX
APPROVALS		DATE
DRAWN	AY	5/13/19
CHECKED	NL	5/13/19
APPROVED		

ADAM TECH INTERCONNECTS
 909 Rahway Avenue,
 Union, NJ 07083
 Phone: 908-687-5000
 Fax: 908-687-5710

TITLE RF CONNECTOR, TYPE MMCX STR. 50 OHM, EDGE MOUNT, PLUG		
SIZE X	PART NO. RF12-35-T-00-50-G	REV. -
REF: S00277T	SCALE: NTS	SHEET 1 OF 1

6

5

4

3

2

1