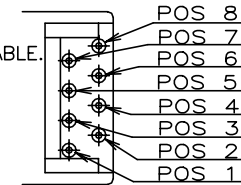


| PRODUCT NO | NUMBER OF POS. | LOADED POSITION | LEAD FREE OPTION | COLOR |
|------------|----------------|-----------------|------------------|-------|
| 92250-X88 | 8 | ALL POS. | NOTE 6 & 8 | BLACK |
| 92250-X86 | | 2,3,4,5,6,7 | | |
| 92250-X84 | | 3,4,5,6 | | |
| 92250-X88G | | ALL POS. | | GRAY |

NOTE: PLEASE CHECK FOR AVAILABILITY, NOT ALL OPTIONS AVAILABLE.



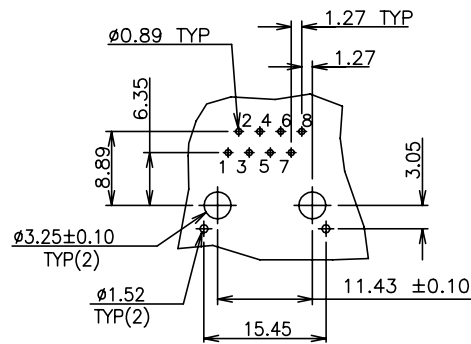
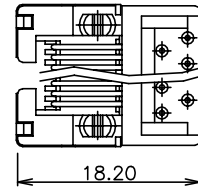
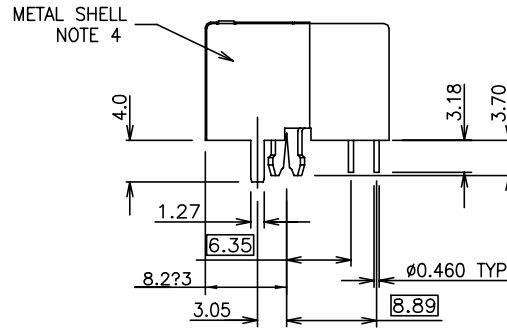
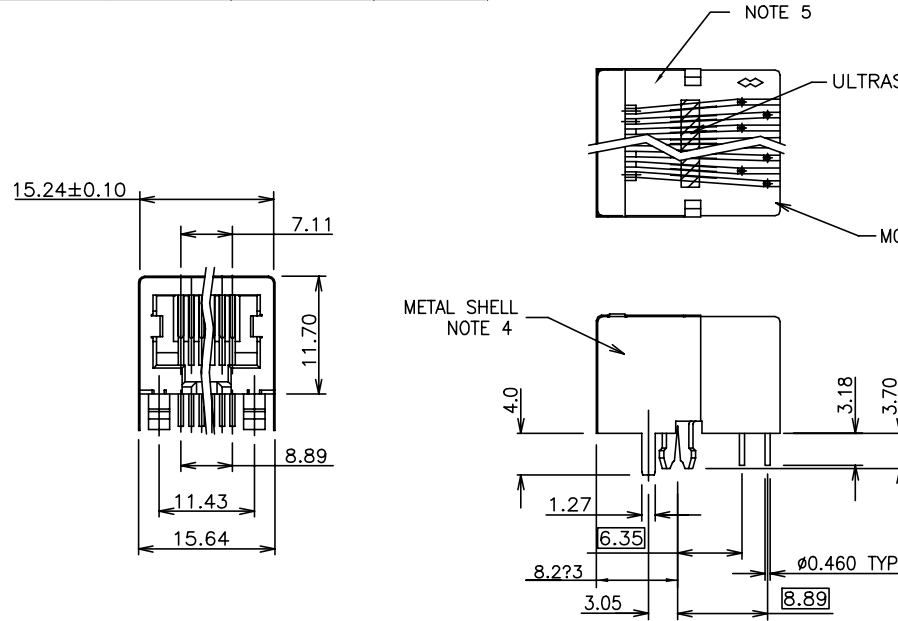
POS. NO. CONFIGURATION

| PLATING CODE X | PLATING |
|----------------|-------------------------------------|
| 0 | 5u" Au + high performance lubricant |
| 1 | 15u" GXT |
| 3 | 5u" Au + high performance lubricant |
| 5 | 50u" GXT |

NOTE: PLEASE CHECK FOR AVAILABILITY, NOT ALL OPTIONS AVAILABLE.

NOTES:

- RECOMMENDED P.C.B THICKNESS 1.60 MM
- HOUSING MAT'L: NYLON 6/6, 25% GLASS REINFORCED,
- CONTACTS: PHOS BRONZE ALLOY UNS-C51000, Ø 0.460 ROUND WIRE, PLATING SEE TABLE.
- SHIELDING MATERIAL:
0.25 [0.010] THICK BRASS ALLOY 2.54µ/100?
TIN-LEAD PLATED, OVER 1.02µ/40? MIN NICKEL UNDERPLATING
PER BUS-15-002/M.
LEAD FREE OPTION:
0.25 [0.010] THICK BRASS ALLOY 2.03µ/80?
TIN PLATED, OVER 1.02µ/40? MIN NICKEL UNDERPLATING
PER BUS-15-002/M.
- COMPANY LOGO LOCATED IN THIS AREA.
- ADD LF SUFFIX AT THE END OF PART NUMBER FOR LEAD FREE OPTION.
- THE HOUSING WILL WITHSTAND EXPOSURE TO 260°C PEAK TEMPERATURE FOR 15 SECONDS IN A WAVE SOLDER APPLICATION WITH A 1.5mm MINIMUM THICK CIRCUIT BOARD. SEE APPLICATION NOTES/PROCEDURES IF THEY ARE AVAILABLE.
- THIS PRODUCT MEETS EUROPEAN UNION DIRECTIVES AND OTHER COUNTRY REGULATION AS DESCRIBED IN GS-22-008.
- PLATING OPTIONS:
MAY BE EITHER GOLD OR GXT PLATED AT MANUFACTURER'S OPTION.
- EQUIVALENT THICKNESS Au AND GXT PLATING HAVE SAME FUNCTION AND THEY ARE ALTERNATIVE BY THE CUSTOMER.



P.C.B. HOLE PATTERN VIEWED FROM TOP.

| | | | | | |
|---------------------|--------------|-----------|----------------|---------------------------------------|-------------------------------|
| mat'l. code | | surface | tolerance | projection | product family |
| | | ISO1302 ✓ | ISO1101 ISO406 | mm | MOD JACK |
| l t r e c n n o d r | | date | | tolerances unless otherwise specified | title |
| K | N06-256 | WG | 12/05/06 | 0.X±0.3 | LOW PROFILE PCB III |
| L | N08-0097 | SH | 09/24/08 | 0.XX±0.15 | 8 POS SHIELDED M/J |
| M | ELX-N-010688 | SH MNO | 3/14/12 | 0.XXX±0.05 | scale 1.0 |
| | | dr | K.CHEN | 6/27/92 | |
| | | engr | TONY CHEN | 6/27/92 | |
| | | chr | TONY CHEN | 6/27/92 | |
| | | appd | JENN TSAO | 6/27/92 | |
| sheet index | revision | M | | | dwg no |
| | sheet | 1 | | | 92250 |
| | | | | | sheet 1 of 1 |
| | | | | | size A4 |
| | | | | | type Product Customer Drawing |