

40W multi-current with dip switch Triac Dimmable CC LED driver

(Multi-output current with DIP switch adjustable) (10W,20W,40W,60W available)

■ Features:

- Output constant current
- Range AC input :100-277VAC
- Efficiency up to 80%
- Built-in active PFC function
- Protections: short circuit/over current/over load
- Full protection plastic housing easy installation
- IP20 design for indoor installation/dry&damp location
- Cooling by free air convection
- Dimming function: Triac/phase cut dimming
Work with leading or trailing edge Triac dimmer
(ON key: leading edge; 1 key: trailing edge)
- Strong compatibility, flicker-free dimming
- Suitable for LED lighting and moving sign applications
- UL Listed Class 2, Class P
- 7 years warranty



Specification:

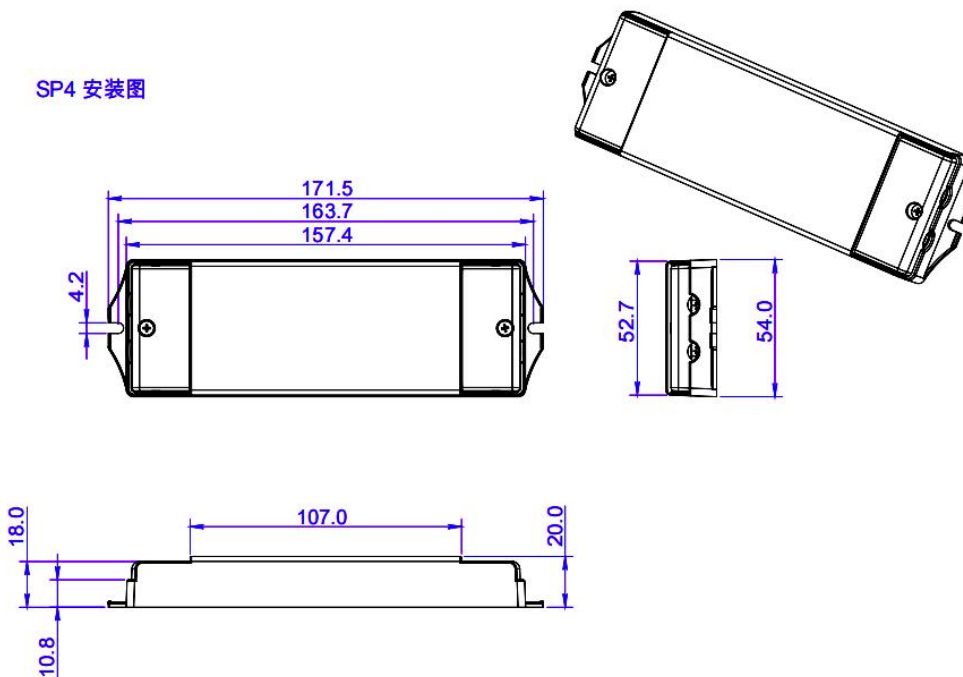


Model		SMT-M-040CT																
Output	Rated current (A)	0.3	0.35	0.4	0.45	0.5	0.55	0.6	0.65	0.7	0.8	0.9	1.0	1.1	1.2	1.3	1.4	
	DIP Code			T		T		TT		T		T T		TT		TTT		
	DIP Code		T		TT		T T		TTT		T T T		TT T		T TT		TTTT	
	Current Tolerance	±5%																
	DC Voltage (V)	3-65V								3-62	3-57	3-50	3-45	3-40	3-37	3-34	3-31	3-29
	Rated power (W)	19.5	22.8	26	29.3	32.5	35.8	39	40									
Input	Rated Input Voltage	100-277VAC																
	Rated Frequency	47-63HZ																
	Power Factor	Full loading ≥0.91@110VAC; ≥0.93@277VAC;																
	Efficiency (Typ.)	Full loading ≥28%@110VAC; ≥80%@277VAC;																
	AC Current (Max.)	0.29A																
	Inrush Current (Typ.)	15.6A, 10.3us @ 50% Ipeak at 110-277VAC																
Leakage current	<0.50mA																	
Protection	Short Circuit	Constant current mode, recovers automatically after fault condition is removed																
	Over Load	Hiccup mode, recovers automatically after fault condition is removed																
	Output No-Load Voltage	75V max.																
	Over temperature	Ambient temp. over 50±5°C, output current will be reduced to 50%;																

		Ambient temp. over 60±5°C, output will be off; recovers automatically after temp. drops.
	Protection Class:	II
Environment	Working TEMP.	-30-+60°C
	Working Humidity	20-90%RH, non-condensing
	Storage TEMP. Humidity	-30-+80°C, 10-95%RH
	TEMP. coefficient	±0.03%/°C (0-50°C)
	Vibration	10-500Hz, 2G 10min./1 cycle, period for 60min. each along X, Y, Z axes
Safety	Safety standards	EN61347-1 EN61347-2-13 UL8750
	Withstand voltage	I/P-O/P: 3.75KVAC
	Isolation resistance	I/P-O/P: 100MΩ/500VDC/25°C/70%RH
Others	Weight	0.225Kg
	Size	171.5*54*20mm(L*W*H)
	packing	250*190*135mm (20PCS/CTN) for outer carton 5KG/CTN
Notes	1. All parameters NOT specially mentioned are measured at 110V, 277VAC input, rated load and 25°C of ambient temperature. 2. Tolerance: includes set up tolerance, line regulation and load regulation.	

■ Mechanical Specification:

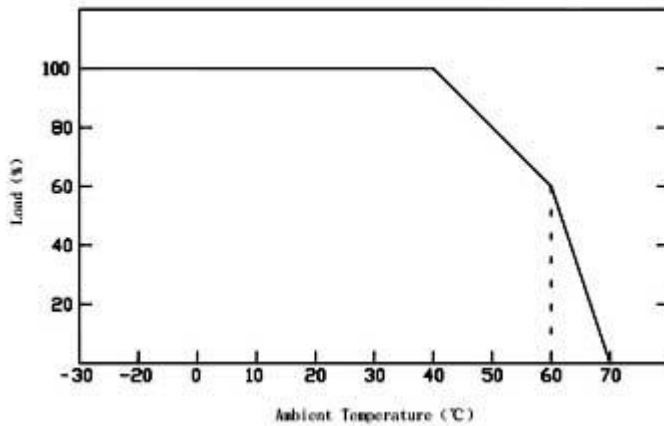
SP4 安装图



- Input with DG126 terminals 3P: Live Wire AC (L), Neutral Wire AC(N)
- Output LED SEC with DG126 terminals 2P: output Positive (LED+), output negative (LED-). Connected to LED Lamps.
- Suggested wire diameter: Input 0.75-2mm²; Output: 0.5-2mm².

Note: Please make sure you connect these correctly otherwise your product will not function correctly and could be damaged

■ Derating Curve



- To extend their life, please refer to the Derating Curve and derate according to the temperature.

■ Dimming Operation

- Output constant current level can be adjusted through input terminal of the AC phase line(L) by connection a Triac dimmer.
- Usually matching with leading edge and trailing edge dimmer both.

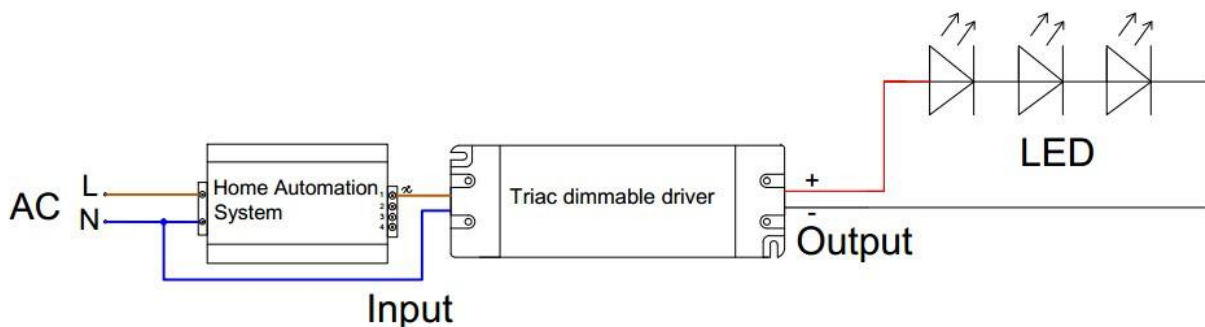
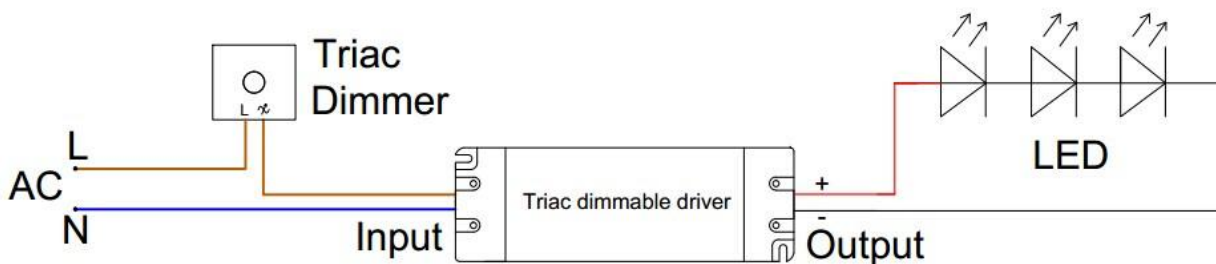
At the input area, you will find dip switch on the terminal.

ON key for leading edge; 1 key for trailing edge. (see right picture)

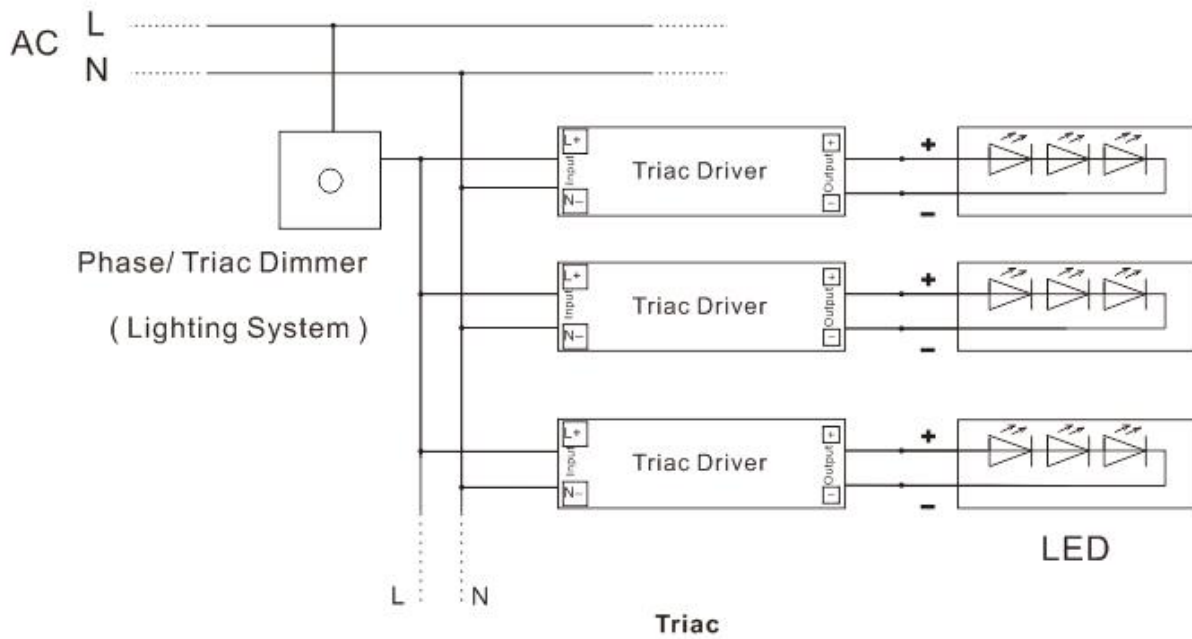


- please try to use the small power dimmer, have access to a wider dimming range, high-power dimmer is difficult to achieve the output current to zero
- please try to use dimmers with power at least 2 times as the output power of the driver.

■ Connecting Diagram in Single (I)



■ Connecting Diagram Multiple (II)



■ Instruction:

- This driver should be installed by qualified and professional person;
- Please make sure the driver is installed with adequate ventilation around it to allow for heat dissipation.
- Ensure that wiring is correct before test in order to avoid light and power supply damage;