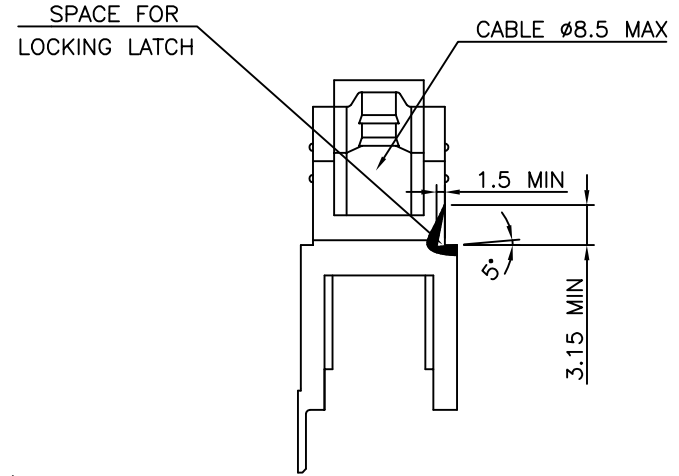
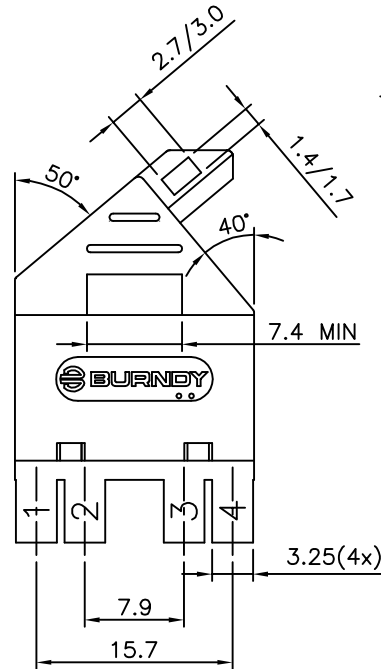
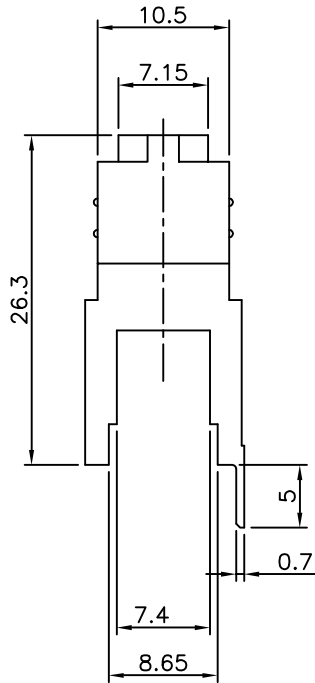


PRODUCT NUMBER	REMARKS
BPBS8B21P3	AFTER PACKAGING
BPBS8B21P3SF	AFTER MOLDING



NOTES:-

1. THIS PRODUCT MEETS EUROPEAN UNION DIRECTIVES AND OTHER COUNTRY REGULATIONS AS DESCRIBED IN GS-22-008.
2. LEADFREE OR RoHS DIRECTIVE LABELLING TO BE PROVIDED AS PER GS-14-920.
3. " LF " SUFFIX TO PRODUCT NUMBER FOR RoHS COMPATIBLE/ LEADFREE VERSION.
4. PARTS WITH AND WITHOUT "LF " SUFFIX ARE FORM-FIT AND FUNCTIONALLY IDENTICAL. " LF " SUFFIX PROVIDED FOR PART NUMBER STANDARDISATION OF PART THAT MEETS RoHS REQUIREMENTS.
5. MATERIAL: POLYESTER (PBTP), COLOUR: BLACK.
6. FOR ASSEMBLY (CONNECTOR & COVER) SEE DRAWING: 55355 CODE : 213

mat'l. code		surface		tolerance		projection		product family	
SEE NOTES		ISO 1302		ISO 406 ISO 1101		mm		BPS8	
ltr	ecn no	dr	date	tolerances unless otherwise specified		mm		title	
A	107-0154	KR	2007-11-09	angles	linear	scale 5:2		COVER BPS8 21 POS.	
				±0°30'				dwg no	
								sheet 1 of 1 size	
				dr	KESAVAN.R	2007-11-09		55340	
				enr	KESAVAN.R	2007-11-09		A3	
				chr	RAKHEE GEORGE	2007-11-09		type	
				appd	RAKHEE GEORGE	2007-11-09		Product Customer Drawing	
sheet index	revision sheet	A	1						