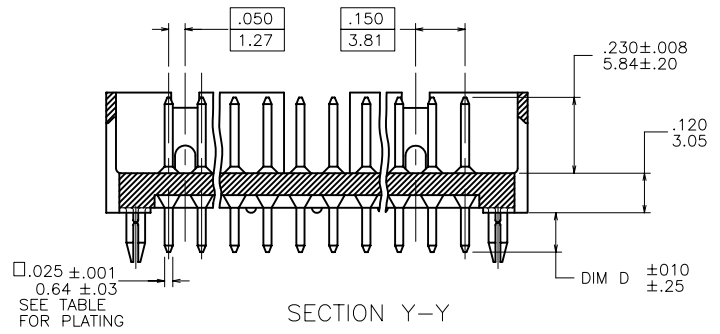
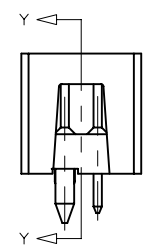
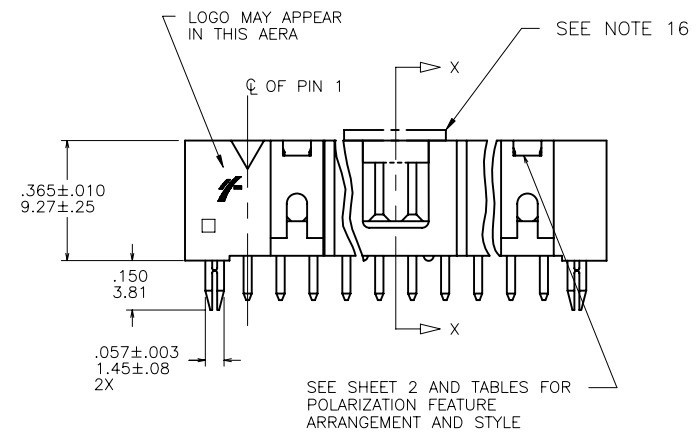
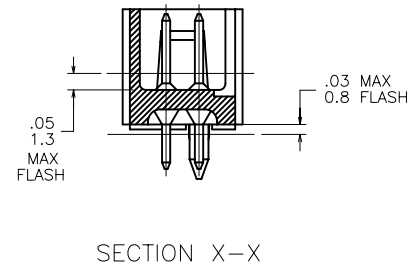
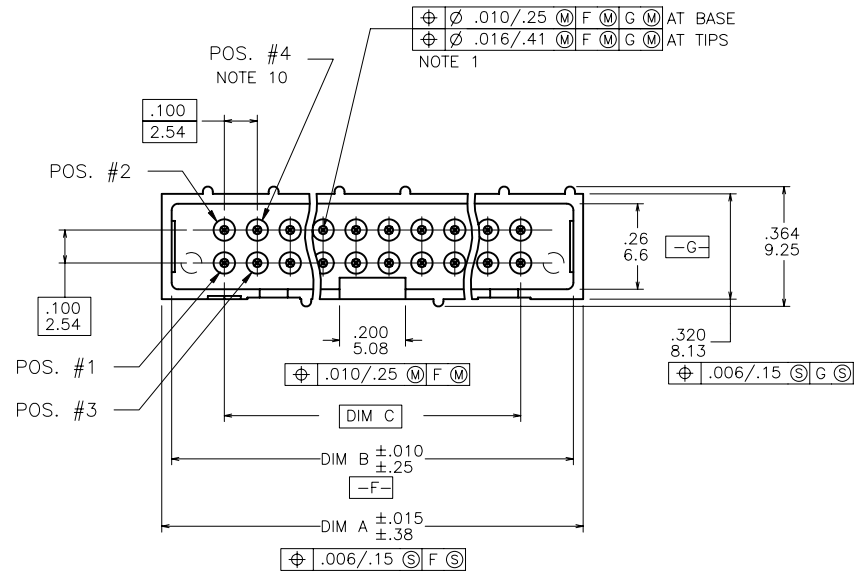


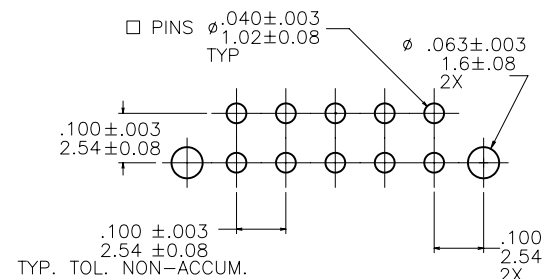
Tous droits strictement reserves. Reproduction ou communication a des tiers interdite sous quelque forme que ce soit sans autorisation écrite du propriétaire. Propriete de c FCI. Droits de reproduction FCI.

All rights strictly reserved. Reproduction or issue to third parties in any form whatever is not permitted without written authority from the proprietor. Property of FCI. Copyright FCI.



mat'l. code NOTE 2 & 5				tolerances unless otherwise specified		CUSTOMER COPY	FCI Electronics www.fciconnect.com	
ltr	ecn no	dr	date	linear	.XX ±.01/.X±.3		projection 	title HEADER, QUICKIE SLIMLINE, VERTICAL, 4 WALL HTP
R	V61660	EPK	11/4/96		.XXX ±.005/.XX±.13	INCH/MM 		product family
S	V90594	EPK	3/1/99	angles	XXXX ±.0020/.XXX±.051		scale	size
T	V91334	LSS	6/3/99		0° ±2°	1:1	A	88873
U	V00284	DAI	1/25/00	dr	M.CLOUSER	1/10/90	code	
V	V00526	DAI	2/10/00	enr	M.SMYK	7/10/90	-	
W	V00723	DAI	3/1/00	chr	M.SMYK	10/10/90	sheet	
Z	N05-0151	ZC	6/10/05	appd	M.SMYK	10/10/90	1 of 4	
sheet	revision	Z	Z	Z	Z		cage code	
index	sheet	1	2	3	4			

KEY FOR PLATING AND OPTIONS				TAIL LENGTH
X	TERMINAL PLATING	RETENTION NOTE 6	ORIENTATION POST NOTE 7	DIM D
-0XX(LF)	15u" / .38u GXT	NO	YES	.120/3.05
-1XX(LF)	15u" / .38u GXT	NO	NO	.120/3.05
-2XX(LF)	30u" / .76u GXT	NO	NO	.445/11.30
-3XX(LF)	15u" / .38u GXT	YES	NO	.120/3.05
-4XX(LF)	30u" / .76u GXT	NO	YES	.120/3.05
-5XX(LF)	30u" / .76u GXT	YES	NO	.120/3.05
-6XX(LF)	30u" / .76u GXT	NO	NO	.120/3.05
-7XX(LF)	30u" / .76u GXT	NO	NO	.105/2.67
-8XX(LF)	30u" / .76u GXT	NO	NO	.085/2.16
-9XX(LF)	15u" / .38u GXT DUPLEX	NO	YES	.105/2.67



RECOMMENDED HOLE PATTERN
SCALE 3/1

* NOTE 15

NOTES:

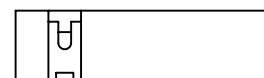
- ① SAME PIN POSITION TOLERANCE APPLIES TO BOTH ENDS OF EACH TERMINAL.
- ② MOLDING MAT'L: GLASS-FILLED POLYESTER PCT, FLAME RETARDANT PER UL-94V-0, COLOR: BEIGE
3. 1° MAX DRAFT PERMISSIBLE ON ALL SURFACES.
4. 4 POUNDS/1.8 KILOGRAMS MIN TERMINAL PULL-OUT FORCE.
- ⑤ TERMINAL MAT'L: PHOSPHOR BRONZE.
- ⑥ 15 POUNDS / 6.8 KILOGRAMS MAX INSERTION FORCE AND .5 POUNDS/ 2.26 KILOGRAMS MIN RETENTION FORCE USING .062/1.57 THICK CIRCUIT BOARDS AND RECOMMENDED HOLE PATTERN.
- ⑦ ORIENTATION POSTS ARE UNAVAILABLE WITH RETENTION PINS. RETENTION PINS ARE UNAVAILABLE WITH ORIENTATION POSTS.
8. P/N'S WITH "T" BEHIND THEM REQUIRE TUBE PACKAGING PER BUS-14-112.
- ⑨ MAY BE ORDERED WITH G-PAX PACKAGING BY ADDING "G" TO THE DASH NUMBER PER GES-14-314.
- ⑩ POSITION #4 POLARIZED ON -206.
- ⑪ POSITION #20 POLARIZED ON -061.
- ⑫ POSITION #5 POLARIZED ON -062.
- ⑬ POSITION #25 POLARIZED ON -363.
- ⑭ POSITION #3 POLARIZED ON -366
- ⑮ SOLDER DIP PROCESS ACCEPTABLE (TIN-LEAD TAILS)
- ⑯ P/N'S WITH "V" BEHIND THEM REQUIRE PICK-UP CAPS.
- ⑰ "D" DENOTES CUSTOMER SPECIAL.
18. THE HOUSING OF XXXX-XYLF WILL WITHSTAND EXPOSURE TO 260°C PEAK TEMPERATURE FOR 10 SECONDS IN A WAVE SOLDER PROCESS.
19. 88873-***LF IS JUST A LEAD FREE PRODUCT.



2 X 4
STYLE A



2 X 7
STYLE C



2 X 5
STYLE B



2 X 8 THUR 2 X 30
STYLE D

mat'l. code		tolerances unless otherwise specified		CUSTOMER COPY		 www.fciconnect.com		
ltr	ecn no	dr	date	linear	.XX ±.01/.X±.3	projection		
Z					.XXX ±.005/.XX±.13			title
				angles	XXXX ±.0020/.XXX±.051		product family HEADER size dwg no A 88873	
				dr	0° ±2°			code
				enr	M.CLOUSER 1/4/93	INCH/MM	sheet	2 of
				chr	M.SMYK 1/4/93			
				appd	M.SMYK 1/4/93			
sheet index	revision sheet							

Tous droits strictement reserves. Reproduction ou communication a des tiers interdite sous quelque forme que ce soit sans autorisation écrite du propriétaire. Propriete de c FCI. Droits de reproduction FCI.

All rights strictly reserved. Reproduction or issue to third parties in any form whatever is not permitted without written authority from the proprietor. Property of FCI. Copyright FCI.

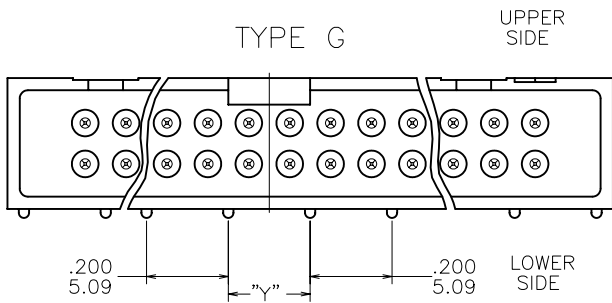
Tous droits strictement réservés. Reproduction ou communication à des tiers interdite sous quelque forme que ce soit sans autorisation écrite du propriétaire. Propriété de c FCI. Droits de reproduction FCI.

All rights strictly reserved. Reproduction or issue to third parties in any form whatever is not permitted without written authority from the proprietor. Property of FCI. Copyright FCI.

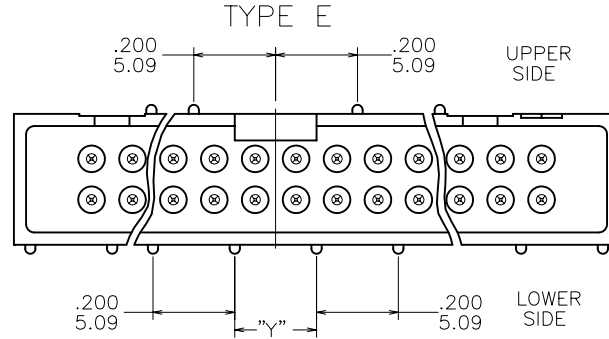


SIZE	TYPE	DIM "Y" REF	NO. OF POS. AT UPPER SIDE	NO. OF POS. AT LOWER SIDE
2 X 2	G	.300/7.64	0	2
2 X 3	G	.100/2.54	0	4
2 X 4	G	.200/5.09	0	4
2 X 5	G	.300/7.64	0	4
2 X 6	G	.200/5.09	0	4
2 X 7	G	.100/2.54	0	6
2 X 8	G	.200/5.09	0	6
2 X 10	F	-	2	7
2 X 12	E	.200/5.09	2	8
2 X 13	E	.300/7.64	3	8
2 X 15	E	.100/2.54	4	10
2 X 17	E	.300/7.64	5	10
2 X 18	F	-	6	11
2 X 20	E	.200/5.09	7	12
2 X 22	F	-	8	13
2 X 25	E	.300/7.64	9	14
2 X 30	F	-	12	17

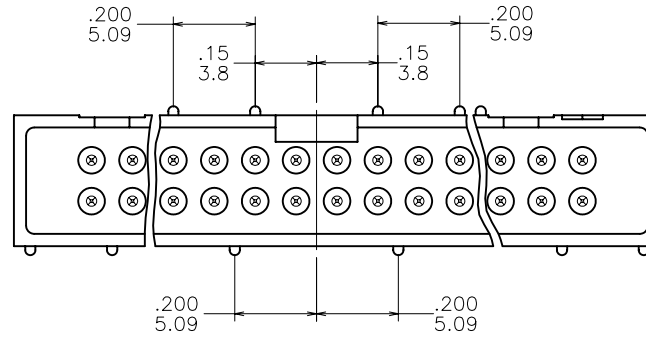
2X2 THROUGH 2X8



2X10 THROUGH 2X30



TYPE F



mat'l. code		tolerances unless otherwise specified		CUSTOMER COPY		Electronics www.fciconnect.com	
ltr	ecn no	dr	date	linear	.XX ±.01/.XX±.13	projection	
Z					.XXX ±.005/.XX±.13		
				angles	° ±2°	product family HEADER	code -
				dr	M.CLOUSER 1/4/93		
				enr	M.SMYK 1/4/93	scale 1:1	A 88873
				chr	M.SMYK 1/4/93		
				appd	M.SMYK 1/4/93		
sheet index	revision sheet						

Tous droits strictement réservés. Reproduction ou communication à des tiers interdite sous quelque forme que ce soit sans autorisation écrite du propriétaire. Propriété de c FCI. Droits de reproduction FCI.

All rights strictly reserved. Reproduction or issue to third parties in any form whatever is not permitted without written authority from the proprietor. Property of FCI. Copyright FCI.

PRODUCT NUMBER	DIM A	DIM B	DIM C	STYLE	SIZE
88873-X04 (LF)	.480/12.19	.420/10.67	.100/2.54	A	2 X 2
-X06 (LF)	.580/14.73	.520/13.21	.200/5.08	A	2 X 3
-X06D (LF)	.580/14.73	.520/13.21	.200/5.08	A	2 X 3
-X08 (LF)	.680/17.27	.620/15.75	.300/7.62	A	2 X 4
-X08D (LF)	.680/17.27	.620/15.75	.300/7.62	A	2 X 4
-X09 (LF)	.780/19.81	.720/18.29	.400/10.16	A	2 X 5
-X10 (LF)	.780/19.81	.720/18.29	.400/10.16	B	2 X 5
-X12 (LF)	.880/22.35	.820/20.83	.500/12.70	A	2 X 6
-X14 (LF)	.980/24.90	.920/23.37	.600/15.24	C	2 X 7
-X16 (LF)	1.080/27.90	1.020/25.91	.700/17.78	D	2 X 8
-X20 (LF)	1.280/32.51	1.220/30.99	.900/22.86		2 X 10
-X24 (LF)	1.480/37.59	1.420/36.07	1.100/27.94		2 X 12
-X26 (LF)	1.580/40.13	1.520/38.61	1.200/30.48		2 X 13
-X30 (LF)	1.780/45.21	1.720/43.69	1.400/35.56		2 X 15
-X34 (LF)	1.980/50.29	1.920/48.77	1.600/40.64		2 X 17
-X36 (LF)	2.080/52.83	2.020/51.31	1.700/43.18		2 X 18
-X40 (LF)	2.280/57.91	2.220/56.39	1.900/48.26		2 X 20
-X44 (LF)	2.480/62.99	2.420/61.47	2.100/53.34		2 X 22
-X50 (LF)	2.780/70.61	2.720/69.09	2.400/60.96		2 X 25
-X60 (LF)	3.280/83.31	3.220/81.79	2.900/73.66		2 X 30
-061 (LF)	2.280/57.91	2.220/56.39	1.900/48.26		2 X 20
-062 (LF)	1.980/50.29	1.920/48.77	1.600/40.64	D	2 X 17
-206 (LF)	.580/14.73	.520/13.21	.200/5.08	A	2 X 3
-207 (LF)	.580/14.73	.520/13.21	.200/5.08	A	2 X 3
-363 (LF)	2.780/70.61	2.720/69.09	2.400/60.96	D	2 X 25
-366 (LF)	1.980/50.29	1.920/48.77	1.600/40.64		2 X 17
-934 (LF)	1.980/50.29	1.920/48.77	1.600/40.64		2 X 17
88873-950 (LF)	2.780/70.61	2.720/69.09	2.400/60.96	D	2 X 25

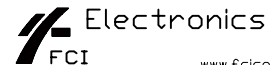
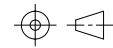
NOTE 17
NOTE 9
NOTE 17
NOTE 9
NOTE 9
NOTE 9
NOTE 9
NOTE 11
NOTE 12
NOTE 10
NOTE 13
NOTE 14

A

A

B

B

mat'l. code				tolerances unless otherwise specified		CUSTOMER COPY		 www.fciconnect.com			
ltr	ecn no	dr	date	linear	.XX ±.01/.X±.3	projection		title			
Z					.XXX ±.005/.XX±.13			HEADER, QUICKIE SLIMLINE, VERTICAL, 4 WALL HTP		product family	code
					XXXX ±.0020/.XXX±.051			size		dwg no	sheet
				angles	0° ±2°	INCH/MM	scale	A	88873		
				dr	M.CLOUSER 1/4/93	1:1					
				enr	M.SMYK 1/4/93						
				chr	M.SMYK 1/4/93						
				appd	M.SMYK 1/4/93						
sheet index	revision sheet										

cage code