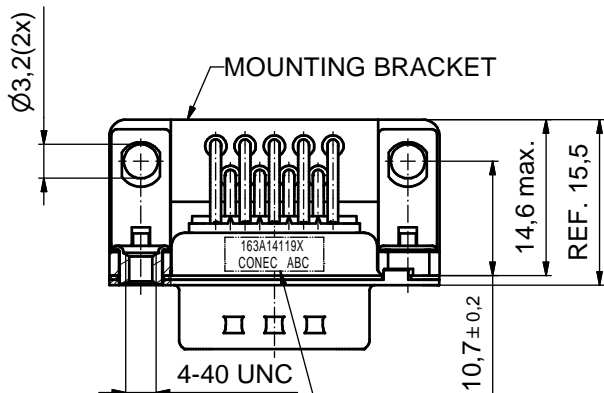
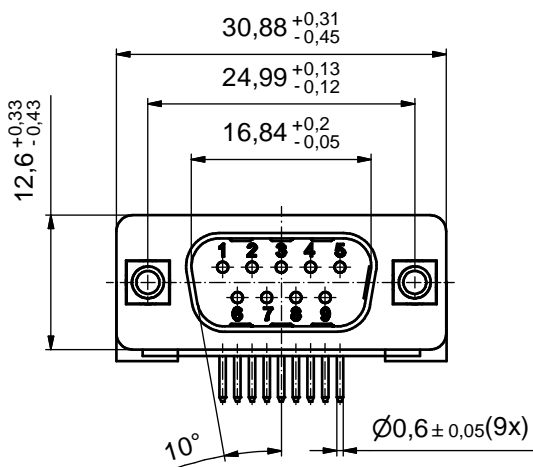
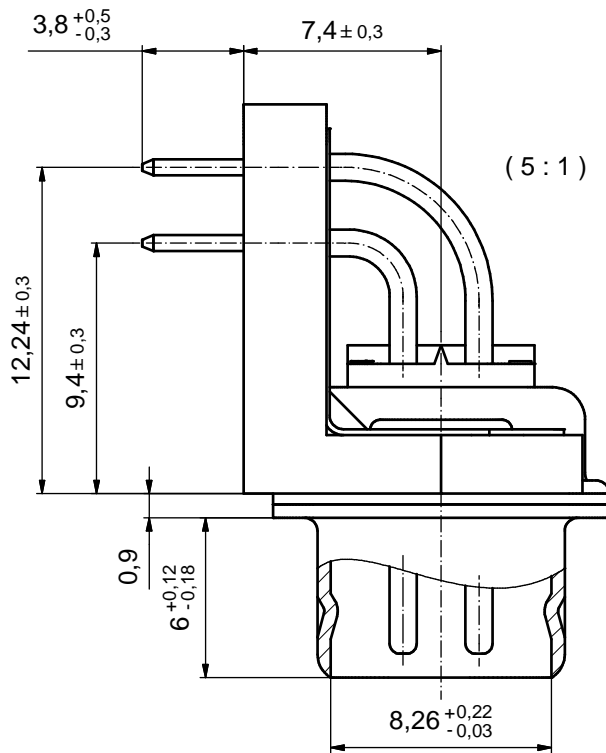
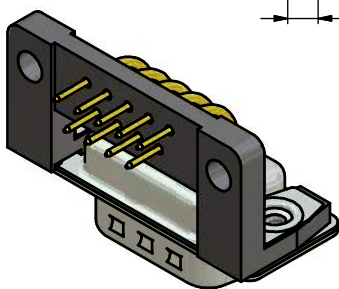


P.C.B. HOLE DRILLINGS ( P.C.B TOP SIDE )



SEE NOTE 8



**NOTES:**

1. METALSHELLS: STEEL; min. 315µin TIN over 40-80µin NICKEL
2. INSULATORS: PBT GF UL 94 V-0, BLACK
3. CONTACTS: COPPER ALLOY  
PLATING: 8µin HARD GOLD over min. 50µin NICKEL
4. MOUNTING BRACKETS: PBT GF UL 94 V-0; BLACK
5. GROUNDING BRACKETS: COPPER ALLOY; TIN PLATED
6. THREADED INSERTS: COPPER ALLOY; min. 200µin TIN over 80µin NICKEL
7. MAXIMUM TORQUE VALUE FOR THREAD: 6 in.LB
8. CONNECTOR IS PART MARKED: 163A14119X CONEC ABC

Directive 2002/95/EC  
„RoHS“  
Compliant

APPROVAL # FREIGABE # DEBLOCAGE # AUTORIZACION # APPROVAL	
CUSTOMER APPROVAL DATE:	
NAME:	TITLE:
COMPANY NAME:	
APPROVAL # FREIGABE # DEBLOCAGE # AUTORIZACION # APPROVAL	

THIS DRAWING MAY NOT BE COPIED OR REPRODUCED IN ANY WAY, AND MAY NOT BE PASSED ON TO A THIRD PARTY WITHOUT WRITTEN PERMISSION. OWNERSHIP AND COPYRIGHT OF CONEC GmbH DO NOT ALTER CAD DRAWING BY HAND				tolerance		dim. in mm	scale: 2:1 (5:1)		
				date			material: SEE NOTES		
				drawn	01.10.2009		name	title:	
				appd.	01.10.2009		Koch	D-SUB MALE 90° 9pos. SOLDER PIN ANGLED with threaded insert, mounting bracket, grounding bracket	
norm		d-old	dwg no:	Inventor 10	DIN-A3				
a	Origin								
rev.	description	date	name	<b>CONEC</b>				sh: 1	

scale: 2:1 (5:1)	
material: SEE NOTES	
title: D-SUB MALE 90° 9pos. SOLDER PIN ANGLED with threaded insert, mounting bracket, grounding bracket	
dwg no:	Inventor 10
part no:	163A14119X