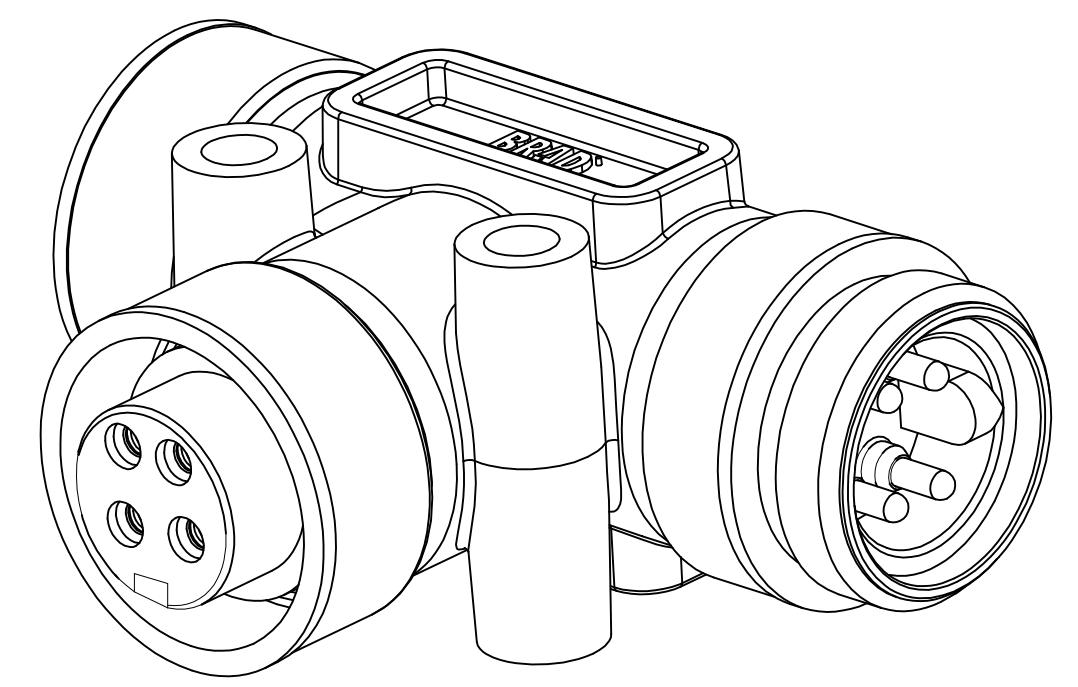
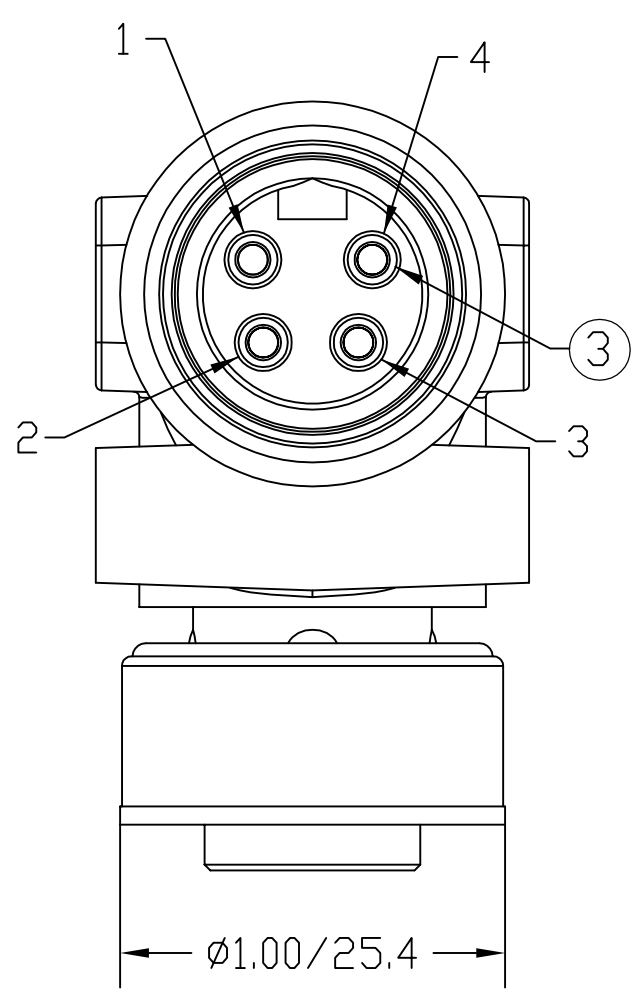
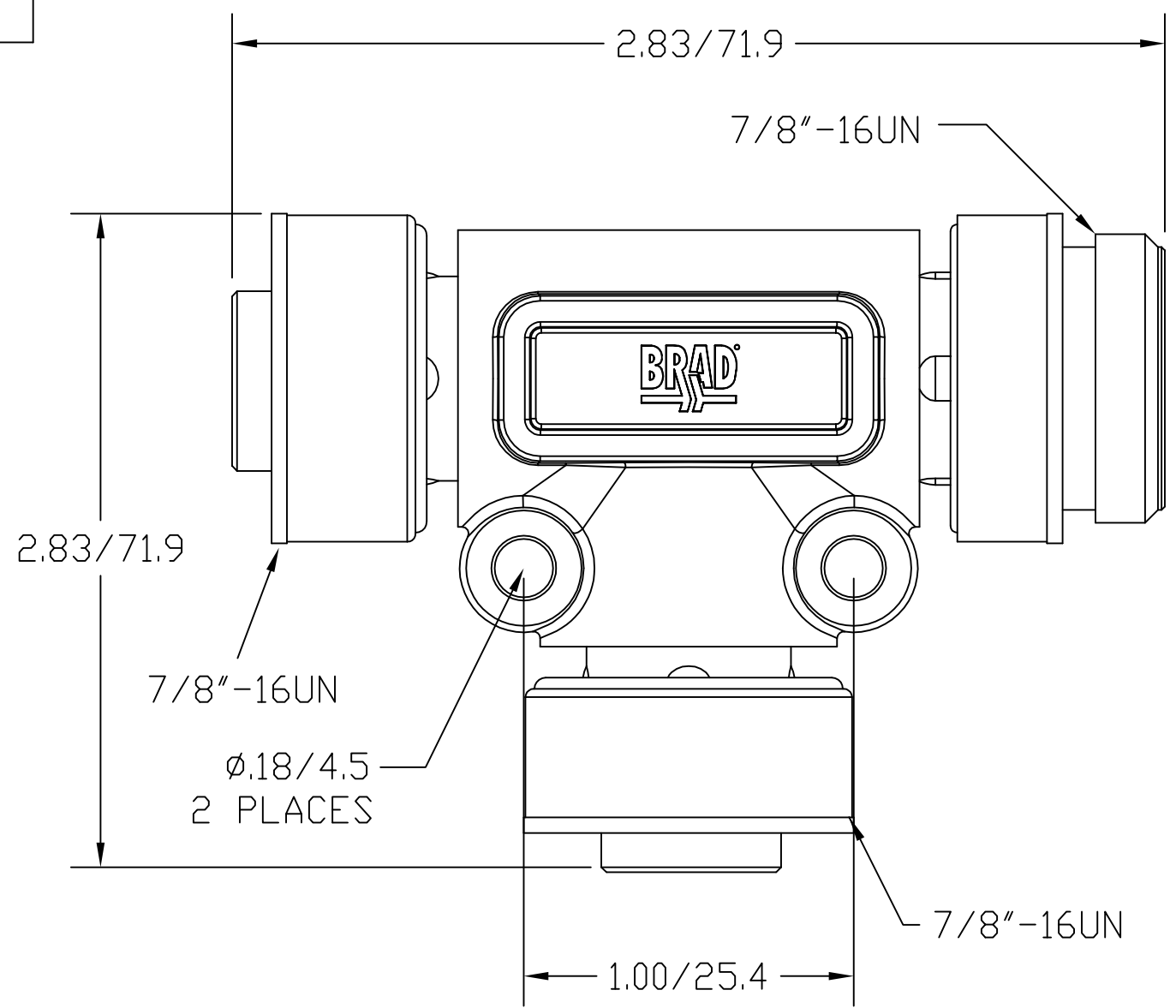
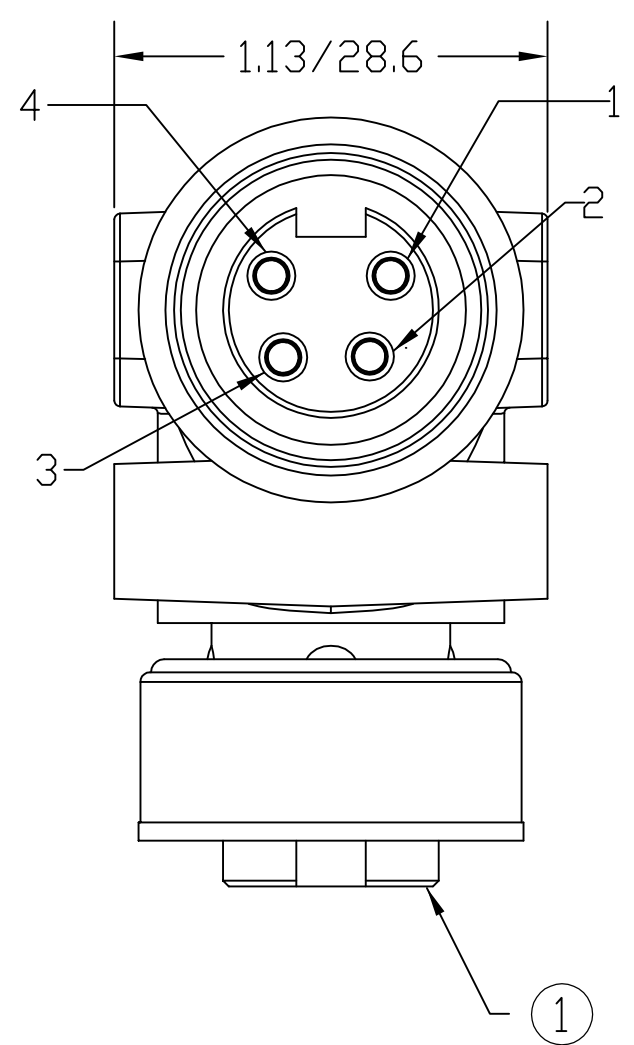
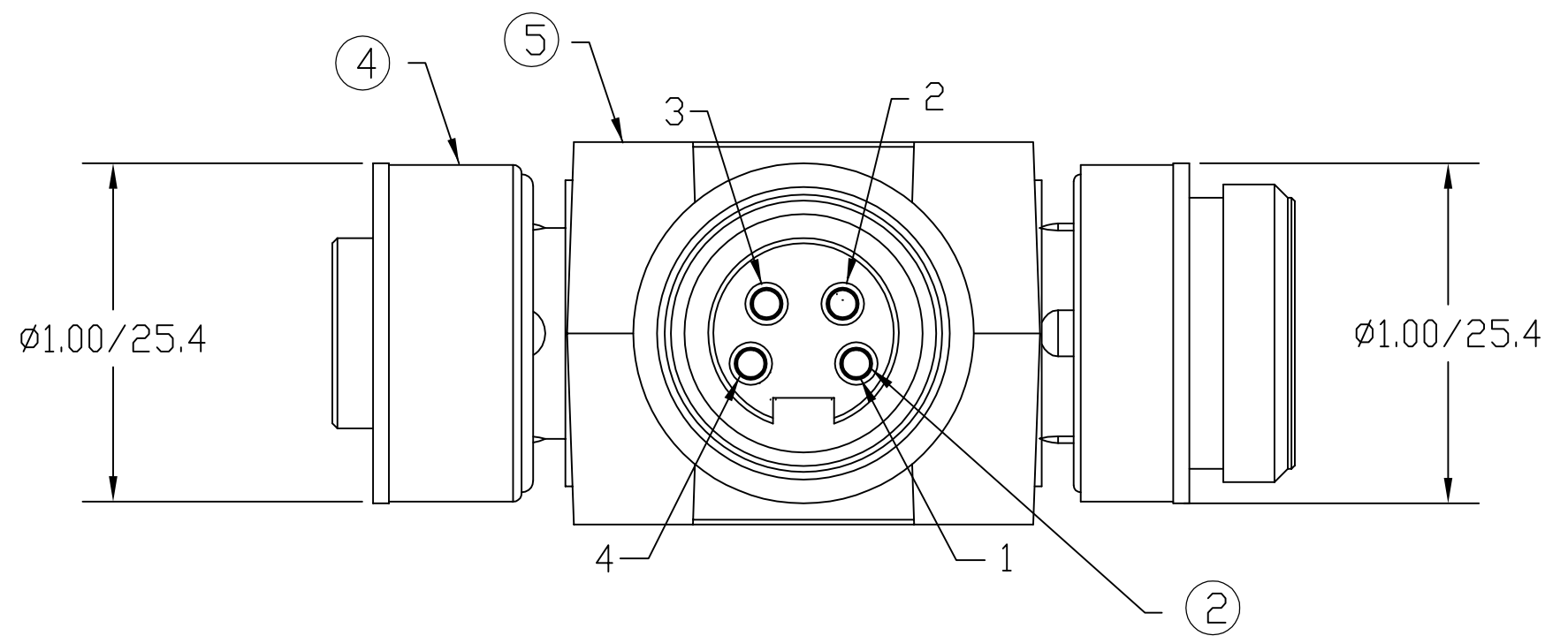
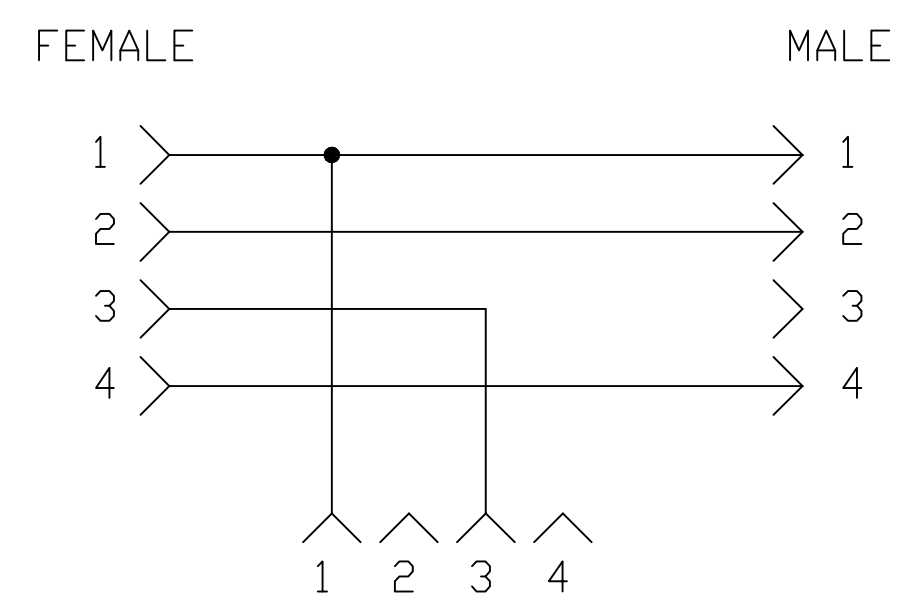


MATERIAL NUMBER	OLD PART NUMBER
130035-0072	DNAPT



SCHEMATIC



VOLTAGE RATING	600 VAC/VDC
AMPERAGE RATING	8 AMPS
PROTECTION	IP67
OPERATING TEMPERATURE	-20°C TO 80°C
UL CERTIFICATIONS	UL RECOGNIZED, FILE NO. E152210
CSA CERTIFICATIONS	CSA CERTIFIED, FILE NO. LR6837

ITEM	COMPONENT	MATERIAL	FINISH
1	INSERT	TPE	GRAY
2	CONTACT SOCKET	COPPER ALLOY	GOLD OVER NICKEL
3	CONTACT PIN	COPPER ALLOY	GOLD OVER NICKEL
4	COUPLING NUT	ZINC DIE CAST	BLACK E-COATED
5	OVERMOLD	TPE	GRAY

RLSO DRAWING EC NO: WNA2010-0131 DRWN: BWOODMAN 8/26/09 CH'KD: TW APPR: JFMURPHY 2009/08/27	QUALITY SYMBOL	DESCRIPTION
	▼=0	
	∇=0	
	REV	

GENERAL TOLERANCES (UNLESS SPECIFIED)	
	mm INCH
4 PLACES	±.004 ±.0015
3 PLACES	±.005 ±.002
2 PLACES	±.008 ±.003
1 PLACE	±.010 ±.004
ANGULAR ±.004°	
DRAFT WHERE APPLICABLE MUST REMAIN WITHIN DIMENSIONS	

DIMENSION STYLE	
IN/MM	
DRAWN BY	DATE
BW	2009/08/25
CHECKED BY	DATE
JM	2009/08/25
APPROVED BY	DATE
JFMURPHY	2009/08/26
MATERIAL NO.	
1300350057	
SIZE	
C	

SCALE	DESIGN UNITS	THIRD ANGLE PROJECTION
---	---	
TITLE		
MINI-CHANGE 4-POLE TEE DEVICENET AUX POWER		
MOLEX INCORPORATED		
DOCUMENT NO.	SHEET NO.	
SD-130035-008	1 OF 1	
THIS DRAWING CONTAINS INFORMATION THAT IS PROPRIETARY TO MOLEX INCORPORATED AND SHOULD NOT BE USED WITHOUT WRITTEN PERMISSION		