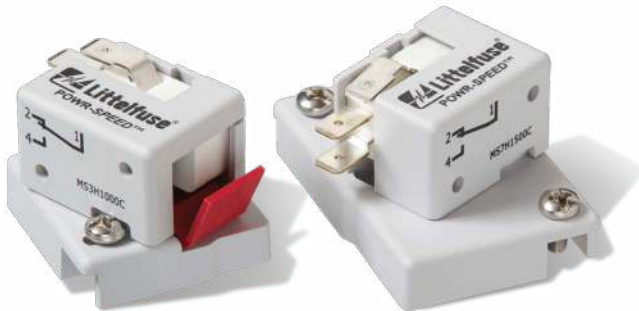


POWR-SPEED® Accessories

MS SERIES HIGH-SPEED FUSE MICROSWITCH

Microswitch for Square Body Fuse



Description

Littelfuse MS series external mount microswitches offer permanent blown fuse indication to PSR and PSX series high-speed square-body semiconductor fuses. They have one normally open (N.O.) and one normally closed (N.C.) contact rated for 4 A, 250 V ac.

These microswitches have a visual red flap or arm indicator that releases after fuse blown condition and can also be used for resetting the microswitch contacts.

Features/Benefits

- Available in three sizes to fit PSR and PSX series fuses
- Internal microswitch UL recognized
- Red flap visual indicator and contact reset mechanism

Specifications

Voltage Rating	See Electrical Characteristics table
Amperage Rating	See Electrical Characteristics table
Operating Temperature	-25 °C to +125 °C
Relative Humidity	85 %
Contact	Silver-nickel plated copper
Approvals	Internal microswitch part number: MS1-16Z0-A150, recognized under UL File: E176213
Flammability	UL 94 V0
Environmental	RoHS Compliant
Country of Origin	China

Electrical Characteristics

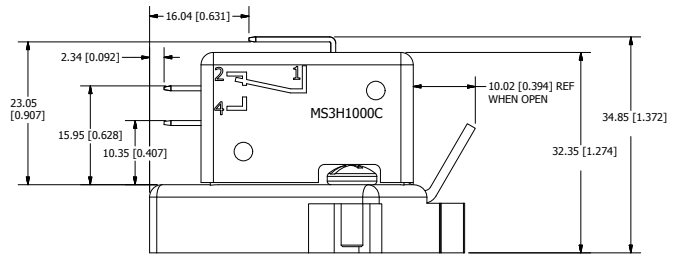
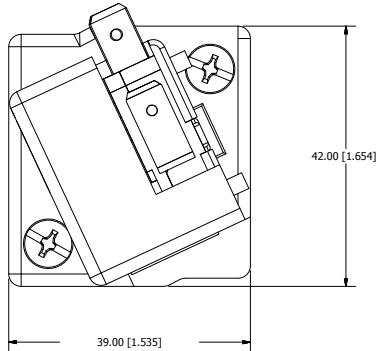
CATALOG NUMBER	ORDERING NUMBER	INDICATING STYLE	INSULATION VOLTAGE RATING	COMPATIBLE FUSE SERIES	FUSE CASE SIZE	NON-INDUCTIVE LOAD			PACK QUANTITY
						30 V DC	125 V AC	250 V AC	
MS3H1000C	MS3H1000C	Standard NO-NC	1000	PSR	30, 31, 32, 33	10 A	16 A	4 A	3 Pcs/Bag
MS7H1500C	MS7H1500C	Standard NO-NC	1500	PSR	70, 71, 72, 73	10 A	16 A	4 A	3 Pcs/Bag
MSXL2000C	MSXL2000C	Standard NO-NC	2000	PSX	1XL, 3XL	10 A	16 A	4 A	1 Pcs/Bag

POWR-SPEED® Accessories

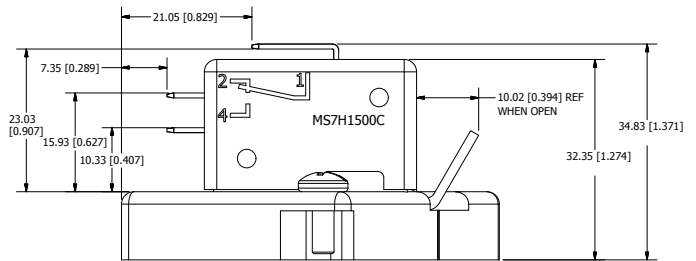
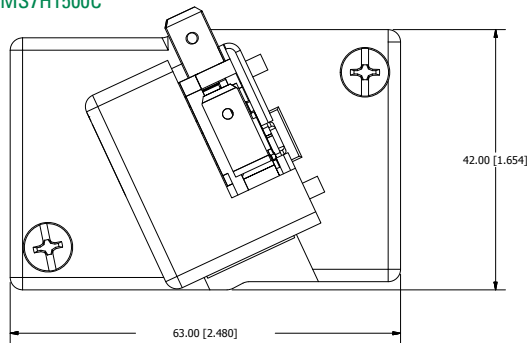
MS SERIES HIGH-SPEED FUSE MICROSWITCH

Dimensions

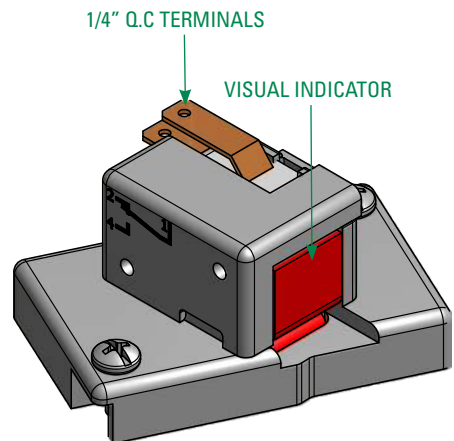
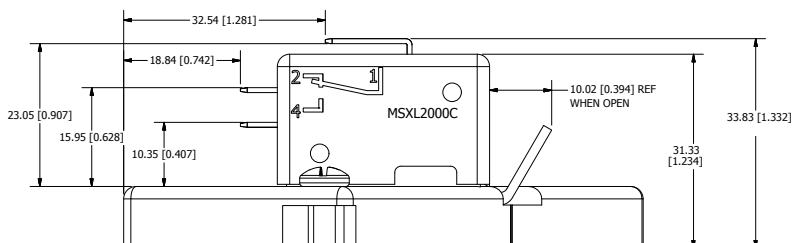
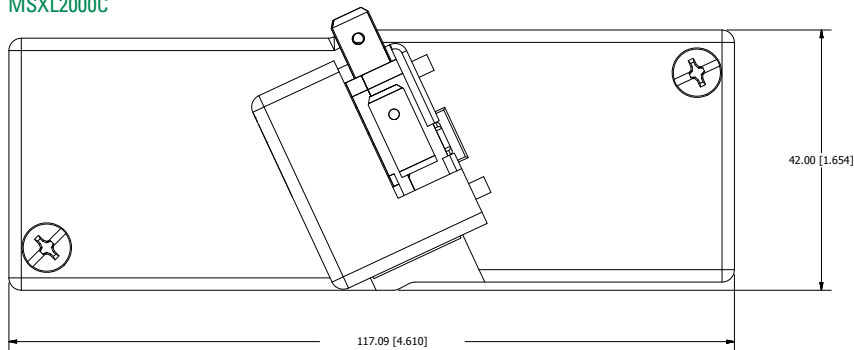
MS3H1000C

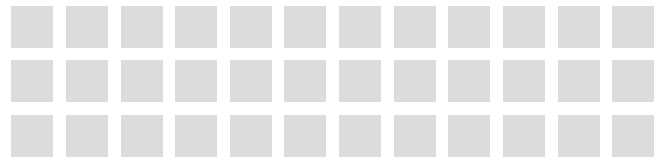


MS7H1500C



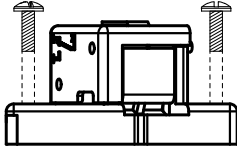
MSXL2000C





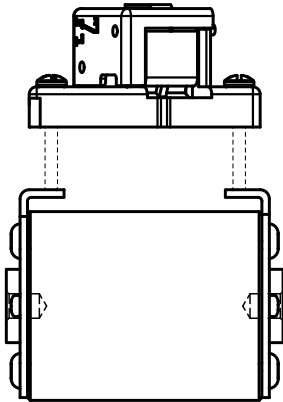
Mounting Method

Step 1



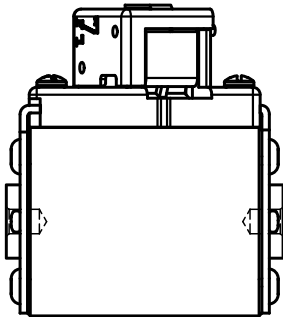
Fix the two M4 x 0.7 screws on the external indicator switch up to its screw heads.

Step 2



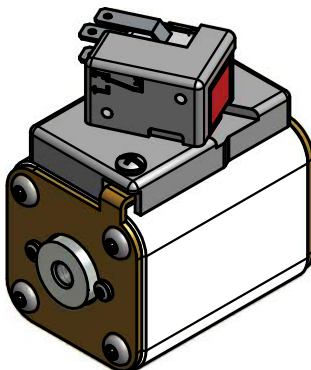
Align the two screws straight to the fuse indicator terminals.

Step 3



Tighten the screws to the fuse indicator terminals at its maximum recommended torque values.

Step 4



Recommended external indicator switch screws tightening torque:
0.6 to 0.8 Nm or
5.3 to 7 in-lbs

Disclaimer Notice – Information furnished is believed to be accurate and reliable. However, users should independently evaluate the suitability of and test each product selected for their own applications. Littelfuse products are not designed for, and may not be used in, all applications. Read complete Disclaimer Notice at www.littelfuse.com/product-disclaimer.