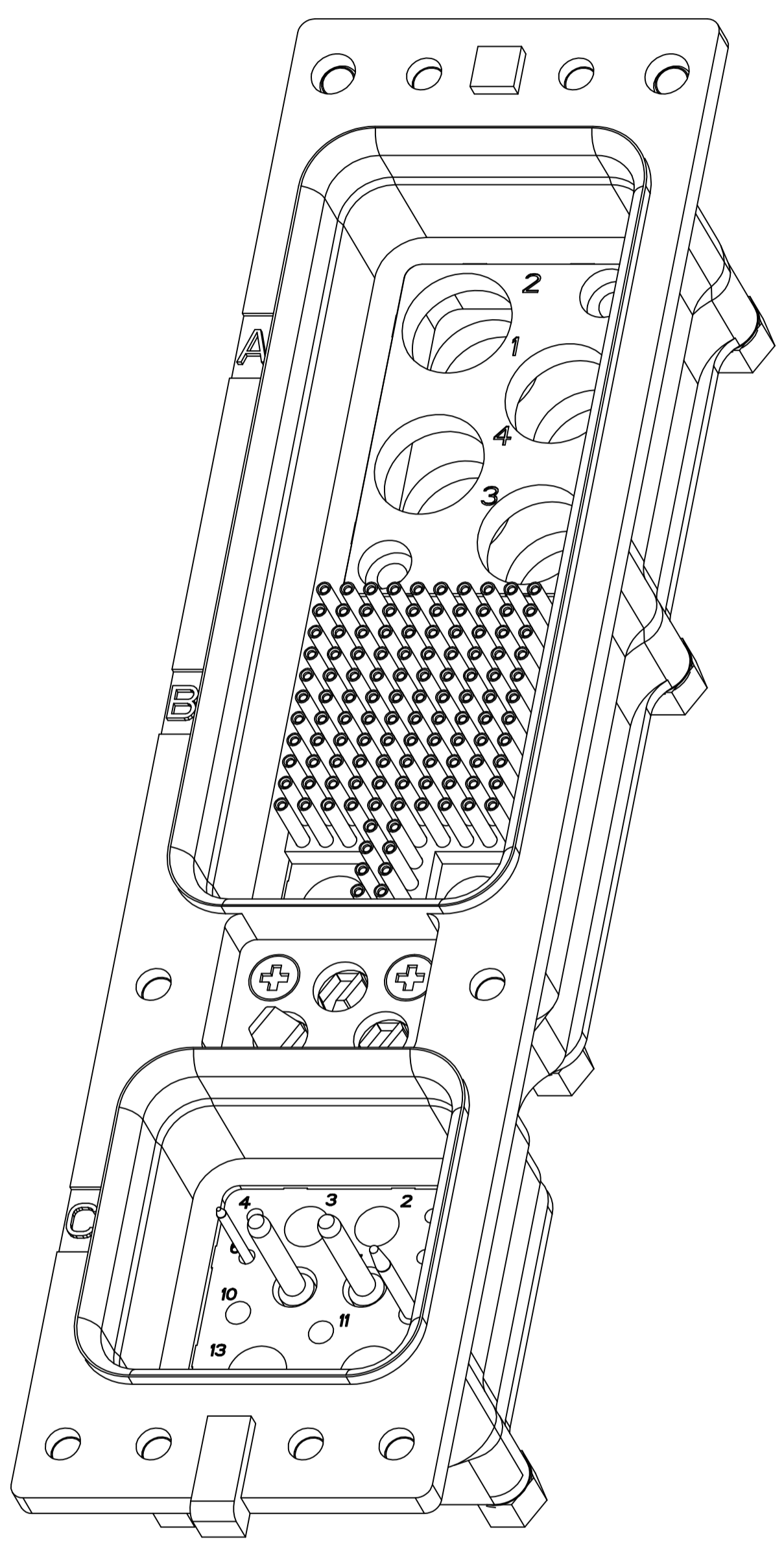


LOC		DIST		REVISIONS			
P	LTR	DESCRIPTION	DATE	DNW	APVD		
E		REVISED PER ECO-10-010827	05AUG10	CT	KT		

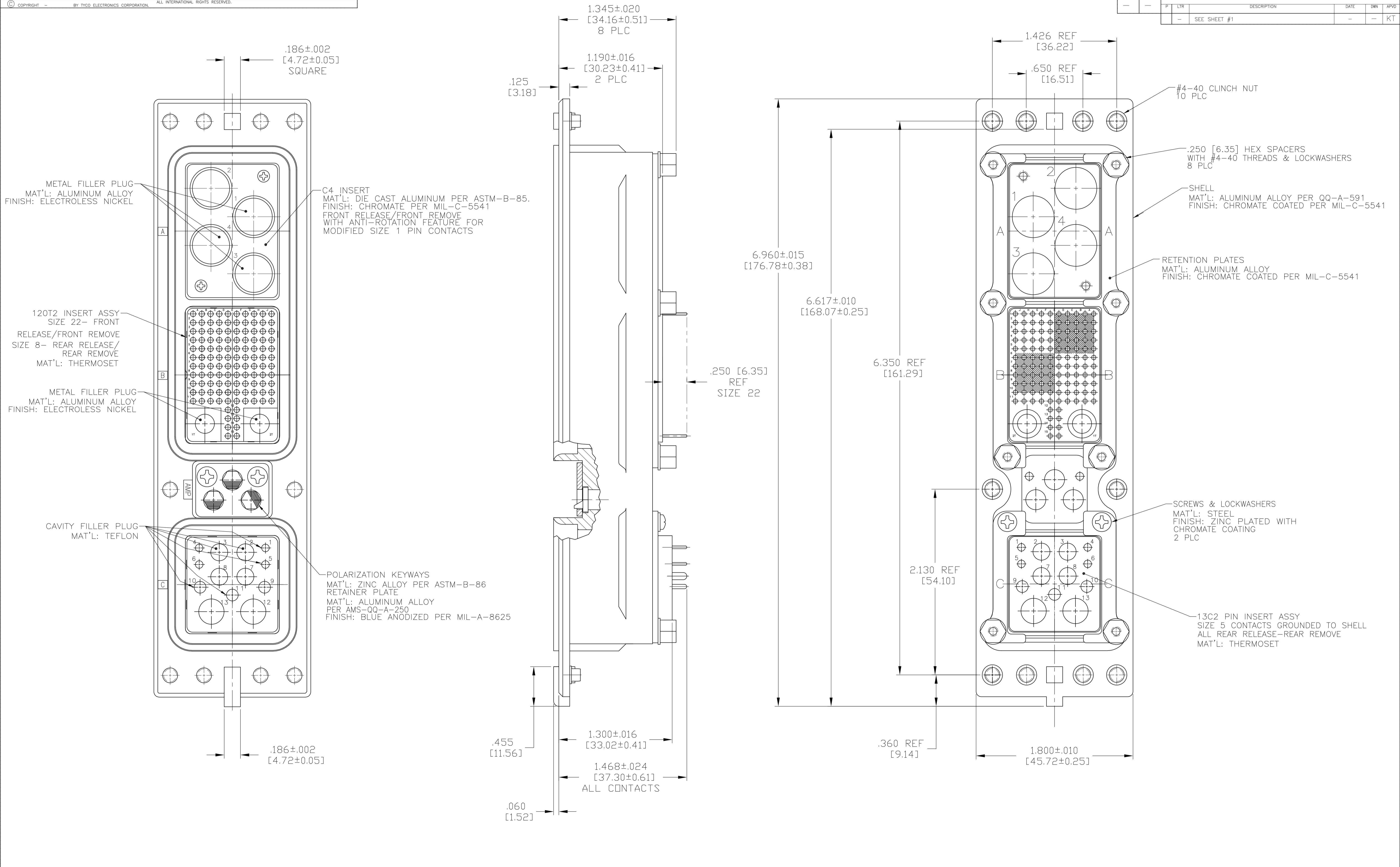


03	MODULE A 1663625-1 (SIZE 1 FILLER PLUG) (QTY=3) (#2 IS OPEN) MODULE B 211431-4 (SIZE 22 POSTED; QTY=118) 1663588-1 (SIZE 8 FILLER PLUG) (QTY=2) MODULE C 1663533-5 (SIZE 20 POSTED; QTY=2) (CAVITIES #4 & #6) 1-1663128-0 (SIZE 16 POSTED; QTY=1) (CAVITY #9) 1663129-8 (SIZE 12 POSTED; QTY=2) (CAVITIES #7 & #8) 1663767-6 (FILLER PLUG, SIZE 20) (QTY=2) (CAVITIES #1 & #5) 1663767-7 (FILLER PLUG, SIZE 16) (QTY=2) (CAVITIES #10 & #11) 1663767-8 (FILLER PLUG, SIZE 12) (QTY=2) (CAVITIES #2 & #3)	1663471-1
	KEYING POSITION INSTALLED CONTACTS AND FILLER PLUG POSITIONS	PART NUMBER

- CONNECTOR DIMENSIONS ARE PER ARINC 600 SPECIFICATION.
- CONNECTOR IS SUPPLIED WITH CONTACTS & FILLER PLUGS (PER TABLE) ASSEMBLED AS SHOWN.
- CONNECTOR IS SUPPLIED WITH A DUST COVER INSTALLED (NOT SHOWN).
- CONTACTS NOT SHOWN IN FRONT & REAR VIEWS FOR CLARITY.
- DIMENSION TO CONTACT POST IS WITH CONTACTS FULLY SEATED TO REAR OF CONTACT CAVITIES.
- KEYING SHOWN IN POSITION FOR REFERENCE ONLY. SEE TABLE FOR KEYING POSITION PER DRAWING 204014. FOR POSITION "00" KEYING SHIPPED UNASSEMBLED.

THIS DRAWING IS A CONTROLLED DOCUMENT.		DWN C.C.THOMAS 8-1-03 CHK S.GLATFELTER 8-1-03 APVD S.GLATFELTER 8-1-03	Tyco Electronics Corporation Harrisburg, PA 17105-3608
DIMENSIONS: INCHES [mm]	TOLERANCES UNLESS OTHERWISE SPECIFIED: 0 PLC ± - 1 PLC ± - 2 PLC ± - 3 PLC ± .005 [0.13] 4 PLC ± - ANGLES ± -	NAME RECEPTACLE ASSY, SIZE 2, ARINC 600 (C4/120T2/13C2)	SIZE A1
MATERIAL SEE CALLOUTS	FINISH SEE CALLOUTS	WEIGHT --	SCALE 2:1 SHEET 1 OF 2 REV E

LOC		DIST		REVISIONS			
P	LTR	DESCRIPTION	DATE	DNW	APVD		
-	-	SEE SHEET #1	-	-	-	KT	



THIS DRAWING IS A CONTROLLED DOCUMENT.		DIN C.C.THOMAS 8-1-03	Tyco Electronics Tyco Electronics Corporation Harrisburg, PA 17105-3608
DIMENSIONS: INCHES [mm]		CHK S.GLATFELTER 8-1-03	
TOLERANCES UNLESS OTHERWISE SPECIFIED:		APVD S.GLATFELTER 8-1-03	NAME RECEPTACLE ASSY, SIZE 2, ARINC 600 (C4/120T2/13C2)
0 PLC ± - 1 PLC ± - 2 PLC ± - 3 PLC ± .005 [0.13] 4 PLC ± - ANGLES ± -		PRODUCT SPEC	
MATERIAL SEE CALLOUTS		FINISH SEE CALLOUTS	APPLICATION SPEC
CUSTOMER DRAWING		WEIGHT	RESTRICTED TO
SCALE 2:1		SIZE A1	DATE 00779
SHEET 2 OF 2		DRAWING NO. 1663471	REV E