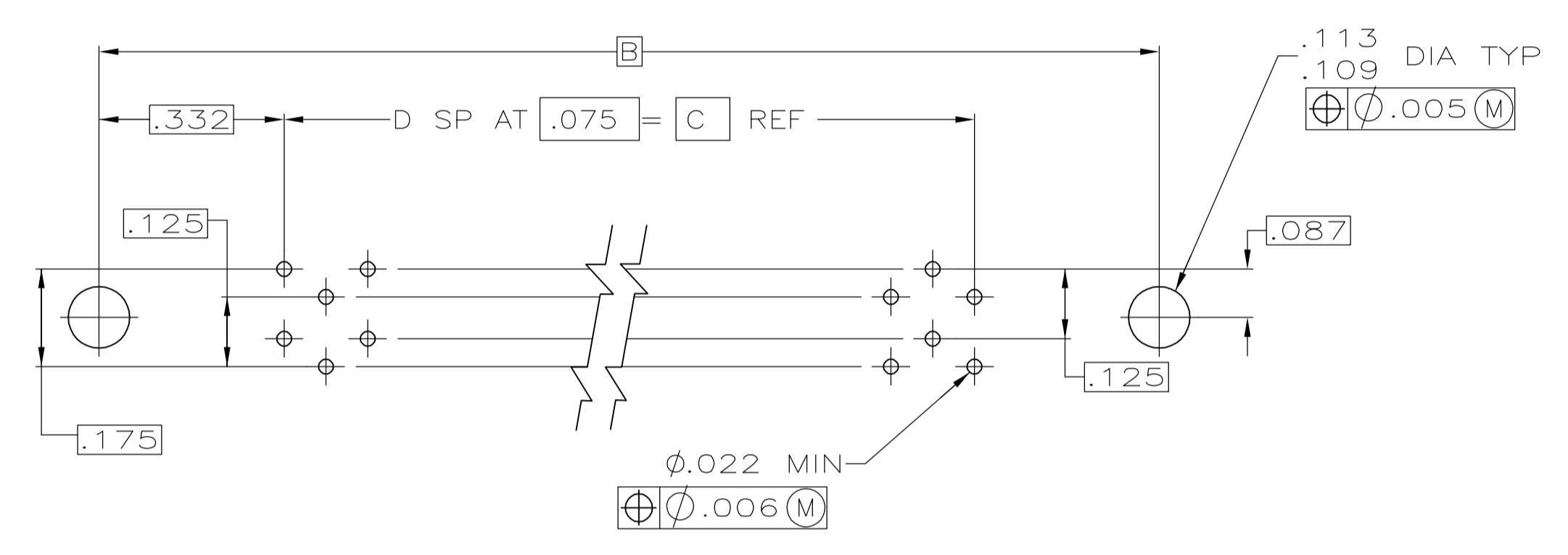
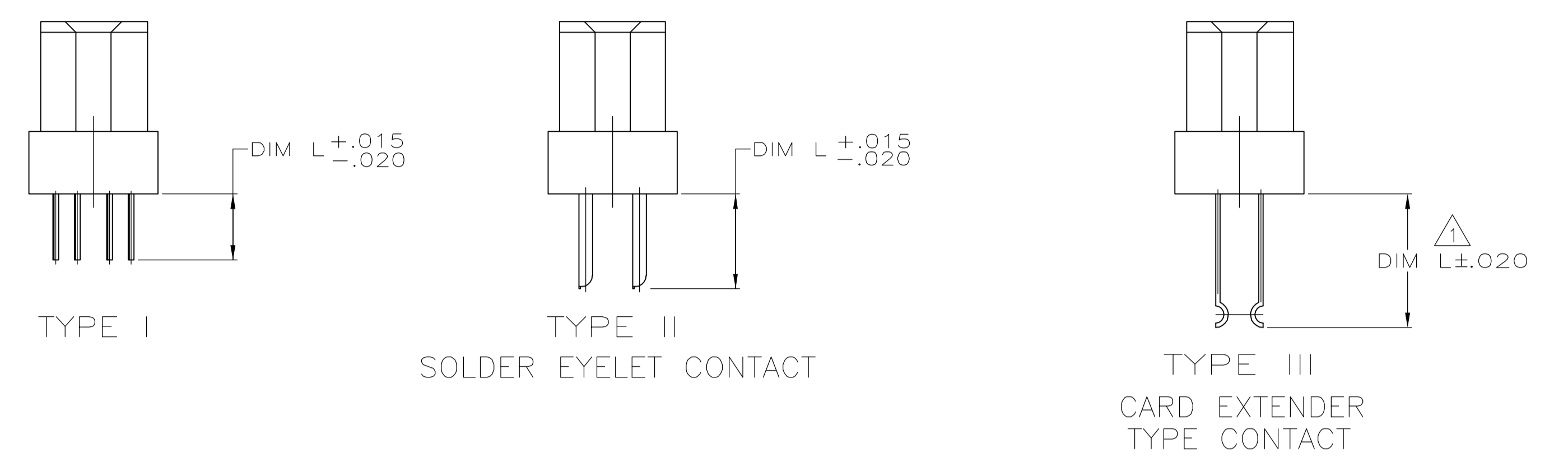
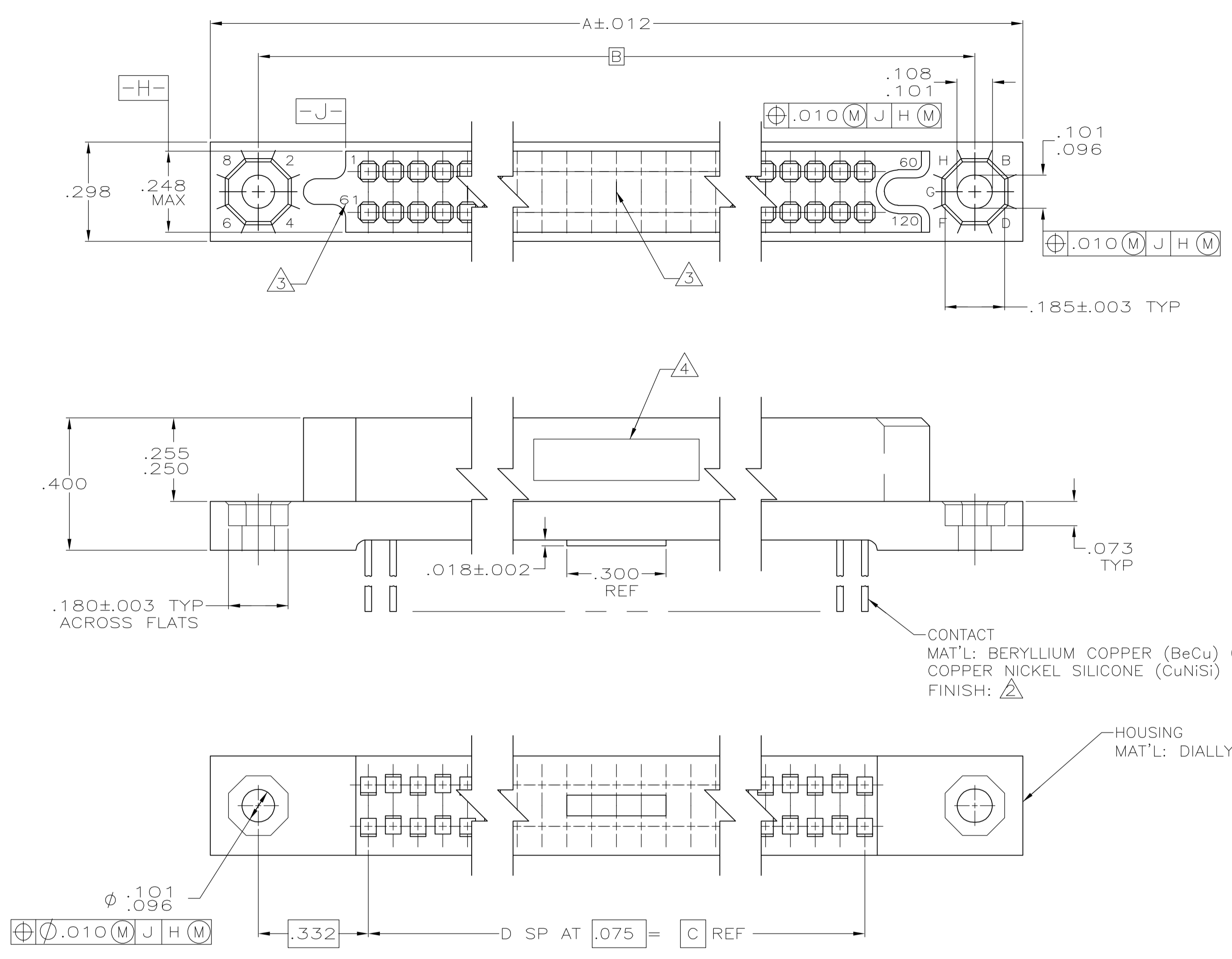


LOC		DIST		REVISIONS			
P	LTR	DESCRIPTION	DATE	BY	APP'D		
R		REV PER ECO-07-004569		OBMAR07	PY	ND	



CONTACT MAT'L: BERYLLIUM COPPER (BeCu) OR COPPER NICKEL SILICONE (CuNiSi) FINISH: $\triangle 5$
 HOUSING MAT'L: DIALLYL PHTHALATE

- $\triangle 1$ WHEN ORDERING LOOSE PIECE CONTACTS (583452-4) FOR TYPE III ASSEMBLIES, CONTACTS HAVE A STRAIGHT POST. CUSTOMER MUST FORM AS SHOWN.
- $\triangle 2$ CONTACT FINISH: GOLD OVER NICKEL IN CONTACT AREA, TIN-LEAD IN TAIL AREA.
- $\triangle 3$ NUMBERS (SEE CHART) AND LINES INDICATING EVERY 5 CAVITIES MOLDED OR MARKED ON THIS SURFACE.
- $\triangle 4$ AMP, DATE CODE AND AMP PART NO. MARKED IN THIS AREA.

OBSOLETE	.315	III	1 - 60 61 - 120	59	4.425	5.090	5.380	583452-4 $\triangle 1$	120	1-583247-6
	.235	I	1 - 90 91 - 180	89	6.675	7.340	7.630	202946-2	180	1-583247-5
OBSOLETE	.156	I	1 - 80 81 - 160	79	5.925	6.590	6.880	202946-1	160	1-583247-4
OBSOLETE	.220	II	1 - 60 61 - 120	59	4.425	5.090	5.380	583218-1	120	1-583247-3
OBSOLETE	.235	I	1 - 60 61 - 120	59	4.425	5.090	5.380	202946-2	120	1-583247-2
OBSOLETE	.220	II	1 - 80 81 - 160	79	5.925	6.590	6.880	583218-1	160	1-583247-1
OBSOLETE	.315	III	1 - 60 61 - 120	59	4.425	5.090	5.380	583452-4 $\triangle 1$	120	1-583247-0
OBSOLETE	.315	III	1 - 90 91 - 180	89	5.925	6.590	6.880	583452-4 $\triangle 1$	160	583247-9
OBSOLETE	.315	III	1 - 75 76 - 150	74	5.550	6.215	6.505	583452-4 $\triangle 1$	150	583247-8
OBSOLETE	.220	II	1 - 75 76 - 150	74	5.550	6.215	6.505	583218-1	150	583247-7
OBSOLETE	.220	II	1 - 90 91 - 180	89	6.675	7.340	7.630	583218-1	180	583247-6
OBSOLETE	.220	II	1 - 60 61 - 120	59	4.425	5.090	5.380	583218-1	120	583247-5
OBSOLETE	.156	I	1 - 75 76 - 150	74	5.550	6.215	6.505	202946-1	150	583247-4
OBSOLETE	.156	I	1 - 90 91 - 180	89	6.675	7.340	7.630	202946-1	180	583247-3
OBSOLETE	.156	I	1 - 60 61 - 120	59	4.425	5.090	5.380	202946-1	120	583247-2
OBSOLETE	.156	I	1 - 90 91 - 180	89	6.675	7.340	7.630	202946-1	180	583247-1
	DIM L	TYPE	CAVITY IDENT	DIM D	DIM C	DIM B	DIM A	LOOSE PIECE CONTACT NO.	NO OF POSN	ASSEMBLY NUMBER

THIS DRAWING IS A CONTROLLED DOCUMENT.

DIMENSIONS: INCHES	TOLERANCES UNLESS OTHERWISE SPECIFIED:	DWG: C.C. THOMAS 12-9-96	CHK: D. MILLER 1-28-97	APPROD: D. MILLER 1-28-97	NAME: D. MILLER	TYCO Electronics	Tyco Electronics Corporation Harrisburg, PA 17105-3608
0 PLC ± -	1 PLC ± -	2 PLC ± -	3 PLC ± -	4 PLC ± -	ANGLES ± -	PRODUCT SPEC	RCPT ASSY, BOX, 750 SERIES
MATERIAL	FINISH	APPLICATION SPEC	WEIGHT	SIZE	SCALE	CAGE CODE	DRAWING NO
				A1	4:1	00779	583247
CUSTOMER DRAWING		SCALE: 4:1		SHEET 1 OF 1		REV R	