

PART NAME	NON-METALLIC ENCLOSURE (STYLE B)	PART No.	NBB-10251 & NBB-10271 & NBB-22251	REV. DATE	6-17-15
-----------	----------------------------------	----------	-----------------------------------	-----------	---------

**MATERIAL:**  
UL LISTED INDOOR VERSION  
 SOLID BODY & COVER \_\_\_\_\_ ABS/PC BLENDED PLASTIC  
 UL94-5VB FLAMMABILITY RATING  
 CLEAR COVER \_\_\_\_\_ POLYCARBONATE PLASTIC  
 UL94V-0 FLAMMABILITY RATING  
 UV STABILIZED  
ABS VERSION  
 SOLID BODY & COVER \_\_\_\_\_ ABS  
 UL94-HB FLAMMABILITY RATING  
ALL VERSIONS  
 GASKET \_\_\_\_\_ MODIFIED POLYURETHANE

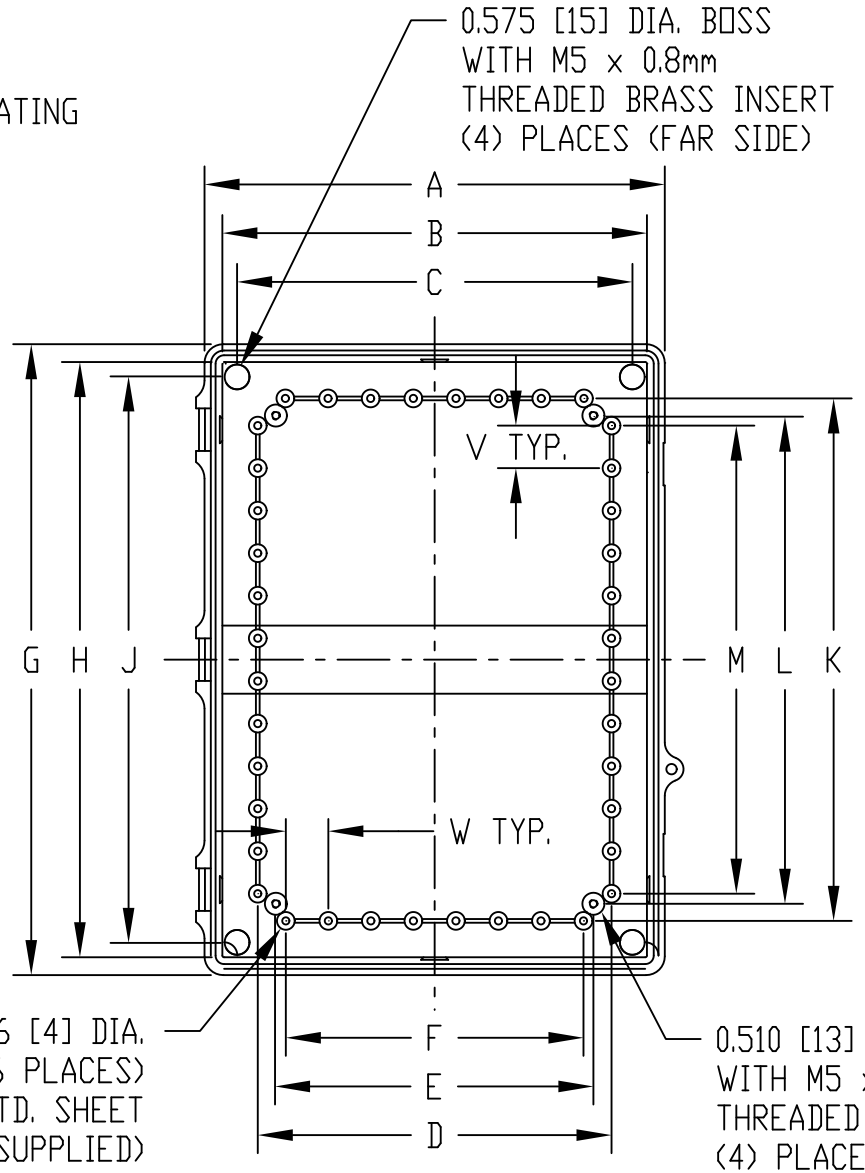
**FINISH:**  
 BODY \_\_\_\_\_ LIGHT GRAY  
 COVER \_\_\_\_\_ LIGHT GRAY OR CLEAR  
 LATCHES & HINGES \_\_\_\_\_ NON-METALLIC  
 WALL MOUNTING BRACKETS \_\_\_\_\_ STAINLESS STEEL

INTERNAL HINGED PANEL MOUNTING BRACKETS, STAINLESS STEEL LOCKING HASP, AIR AND MOISTURE VENTS AND GALVANIZED STEEL INTERNAL PANEL ARE NOT INCLUDED, BUT CAN BE PURCHASED SEPARATELY.

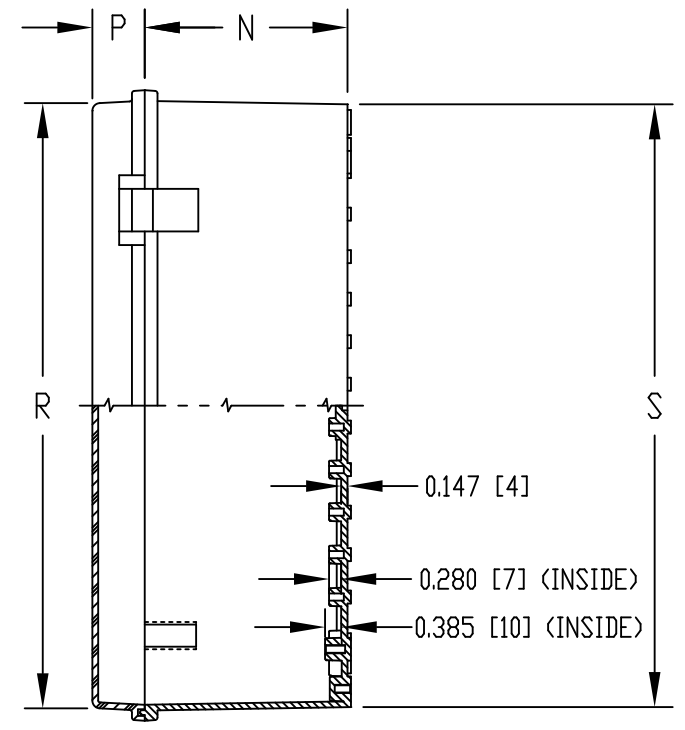
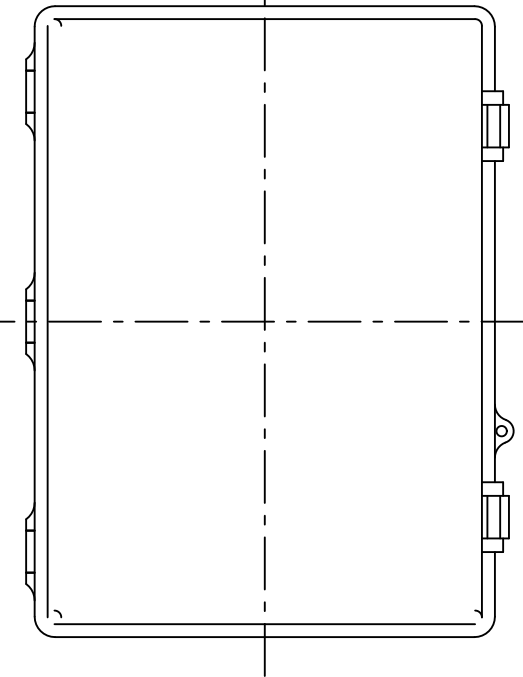
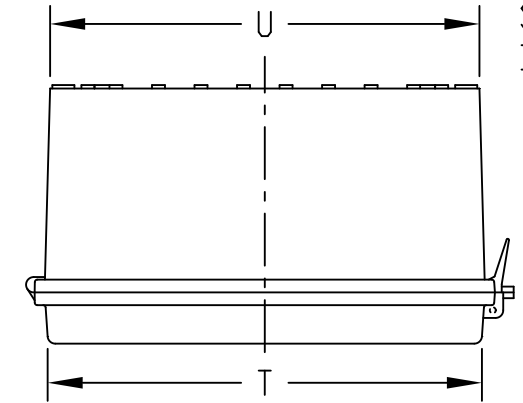
**NOTE:** UNIT COMES COMPLETE WITH (4) WALL MOUNTING BRKTS. & (4) M5 x 10mm LG. TRUSS HD. MACHINE SCREWS (NOT SHOWN)

COVER INCLUDES GRAY POLYURETHANE GASKET.

**INDUSTRY STANDARDS:**  
UL LISTED INDOOR VERSION  
 UL508 TYPE 1, 2, 3, 3R, 4, 4X INDOOR, 12 & 13  
 NEMA TYPE 1, 2, 3, 3R, 4, 4X, 12 & 13  
 IEC529-IP65  
ABS VERSION  
 NEMA TYPE 1, 2, 3, 3R, 4, 4X, 12 & 13  
 IEC529-IP65



VIEW LESS COVER



DIMENSIONS = INCHES [MILLIMETERS]

NOTE: ALL DIMENSIONS HAVE ±0.039 [±1] TOLERANCE UNLESS OTHERWISE SPECIFIED

UL LISTED INDOOR VERSION			ABS VERSION		DIMENSIONS																	
PART NO.		PART NO.																				
SOLID COVER	CLEAR COVER	SOLID COVER	A	B	C	D	E	F	G	H	J	K	L	M	N	P	R	S	T	U	V	W
NBB-10251	NBB-10271	NBB-22251	10.640 [270]	9.815 [249]	9.136 [232]	8.178 [208]	7.332 [187]	6.881 [175]	14.585 [370]	13.760 [349]	13.072 [332]	12.078 [307]	11.287 [287]	10.821 [275]	4.713 [120]	1.210 [31]	13.995 [355]	13.860 [352]	10.040 [255]	9.925 [252]	0.983 [25]	0.983 [25]