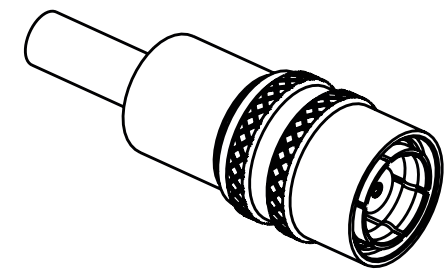
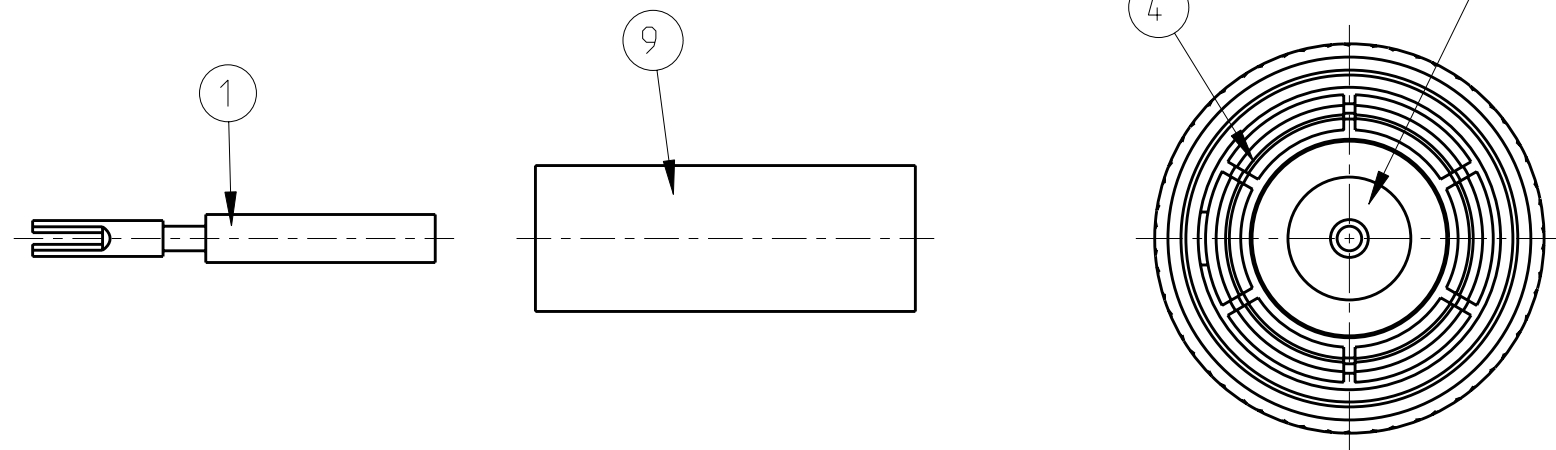
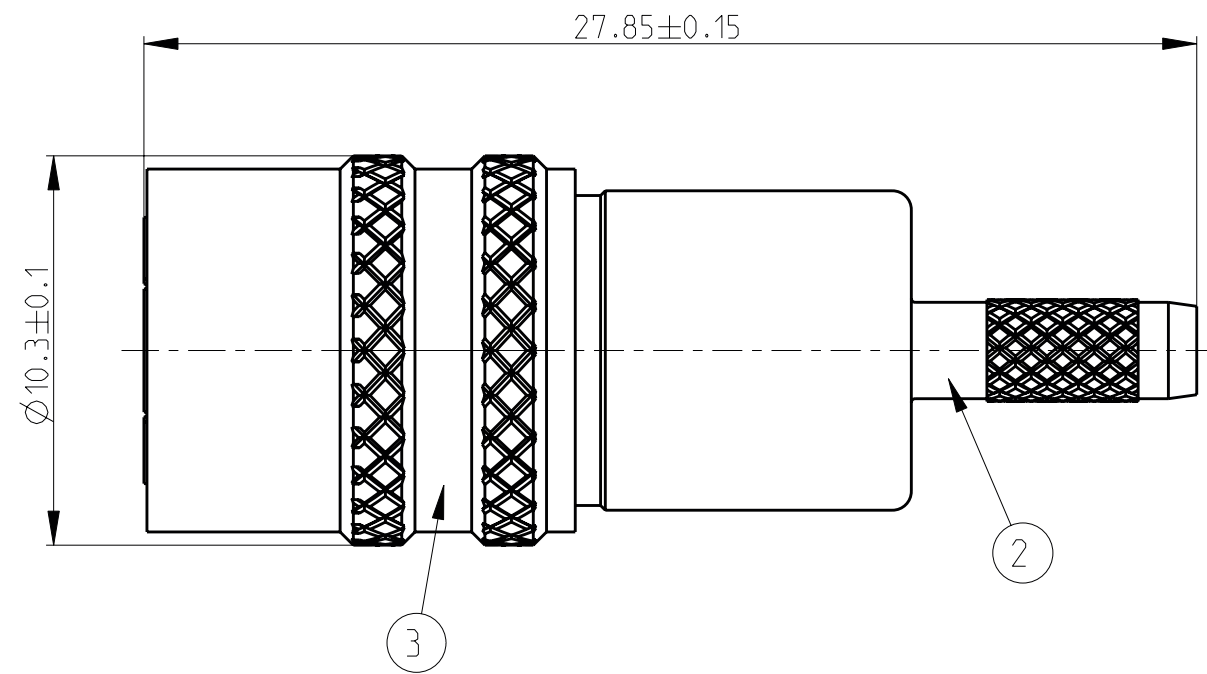


THIS DRAWING IS UNPUBLISHED. RELEASED FOR PUBLICATION  
 © COPYRIGHT - BY TYCO ELECTRONICS CORPORATION. ALL RIGHTS RESERVED.

LOC	DIST	REVISIONS			
P	LTR	DESCRIPTION	DATE	DWN	APVD
IS	-	A	Released	10MAY06	AN DB
		A1	ECR-06-016911 (added crimp tool information)	12JUL06	AN DB



2:1



- 1) Nominal characteristic impedance 75 Ohm.
- 2) General tolerances according to ISO 2768-mH.
- 3) 200 Plugs assy (pos. from 2 to 8) packed with 200 cent. conductors (pos. 1), 200 ferrules (pos. 9) and 1 crimp tool (PN 1402250-1 not visible on drawing), each separately in plastic bag. Plastic bags packed in carton box PN 973171-2. 6 carton boxes packed in carton box PN 973058-3.
- 4) 1 Plug assy (pos. from 2 to 8) packed with 1 cent. conductor (pos. 1) and 1 ferrule (pos. 9) in plastic bag.
- 5) Items 6,7 and 8 not visible on drawing.
- 6) Full crimp version  
 Center conductor: crimp tool Tyco PN 1331706-1, adaptor crimp tool PN 1402250-1  
 Outer conductor: crimp tool Tyco PN 734537-1 crimp hex 3.25 (PN 58425-2)

Part Nr	Item	Description	Material	Plating	Qty
1311099-1 1311099-2	9	Ferrule	Brass	min. 1µm Ni over min. 0.1µm Cu	1
	8	Retaining ring Ø8.97	Copper Beryllium	-	1
	7	Retaining ring Ø8.71	Copper Beryllium	-	1
	6	Spring	Spring steel	-	1
	5	Dielectric	PTFE	-	1
	4	Outer conductor	Copper Beryllium	min. 0.2µm Au over min. 2µm NiP	1
	3	Sleeve	Brass	min. 2µm Ni over min. 0.2µm Cu	1
	2	Crimpend	Brass	min. 2µm Ni over min. 0.2µm Cu	1
	1	Center conductor	Copper Beryllium	min. 0.2µm Au over min. 2µm NiP	1

<small>THIS DRAWING IS A CONTROLLED DOCUMENT FOR TYCO ELECTRONICS CORPORATION. IT IS SUBJECT TO CHANGE AND THE CONTROLLING ENGINEERING ORGANIZATION SHOULD BE CONTACTED FOR THE LATEST REVISION.</small>		DWN 10MAY2006 A. Nicolini		tyco Electronics CH - Switzerland - Lugano	
DIMENSIONS: mm 		TOLERANCES UNLESS OTHERWISE SPECIFIED: 0 PLC ± 1 PLC ± 2 PLC ± 3 PLC ± 4 PLC ± ANGLES ±		NAME BT43 Plug Cable Crimp RG179 Quick Lock	
MATERIAL see table FINISH see table		CHK 10MAY2006 D.Bozzer		PRODUCT SPEC - APPLICATION SPEC - WEIGHT -	
		CUSTOMER DRAWING		SIZE A3 CAGE CODE 00779 DRAWING NO. C-1311099 RESTRICTED TO - SCALE 5:1 SHEET 1 OF 1 REV A1	