

PRODUCT DATASHEET

RFID Bolt Tag – M8

A Heavy-duty Tag for Industrial Identification

Bolt Tag is an industrial grade bolt with an RFID tag embedded inside. As the bolt body is made of steel with thread, user can screw the tag to a metal part and make it automatically identified. This helps provide the visibility and smart management in a production facility. Equipped with Fujitsu MB89R118C FRAM chip, this tag also features high security, read/write speed, and radiation tolerance for more advanced applications.

Features

- Robust housing to withstand harsh conditions
- ISO898-1 compliant
- Easy installation to a metal part
- Fujitsu MB89R118C FRAM chip in use



Applications

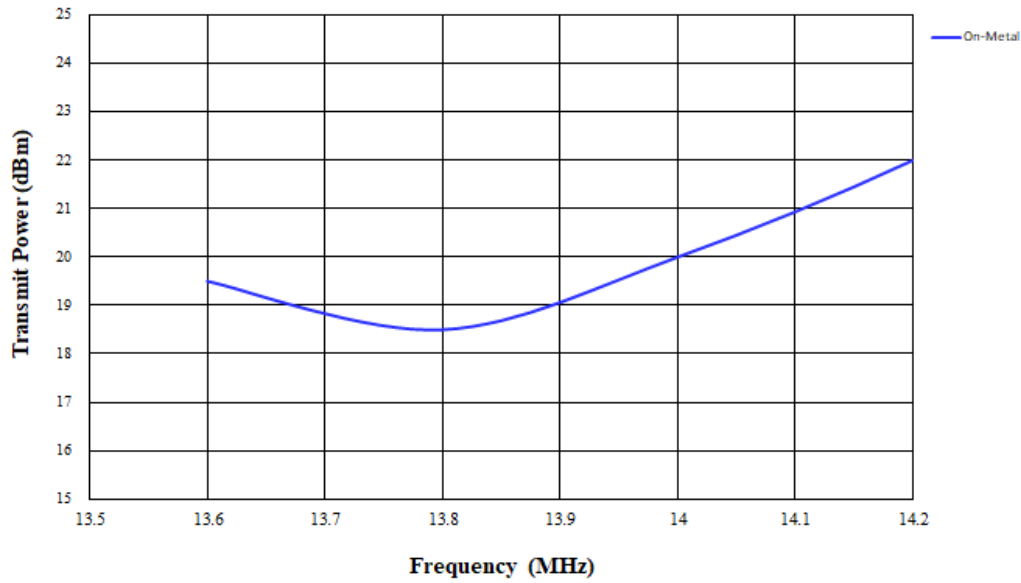
- Machine or industrial equipment identification
- Automotive parts management
- Manufacturing process control

RF Specification

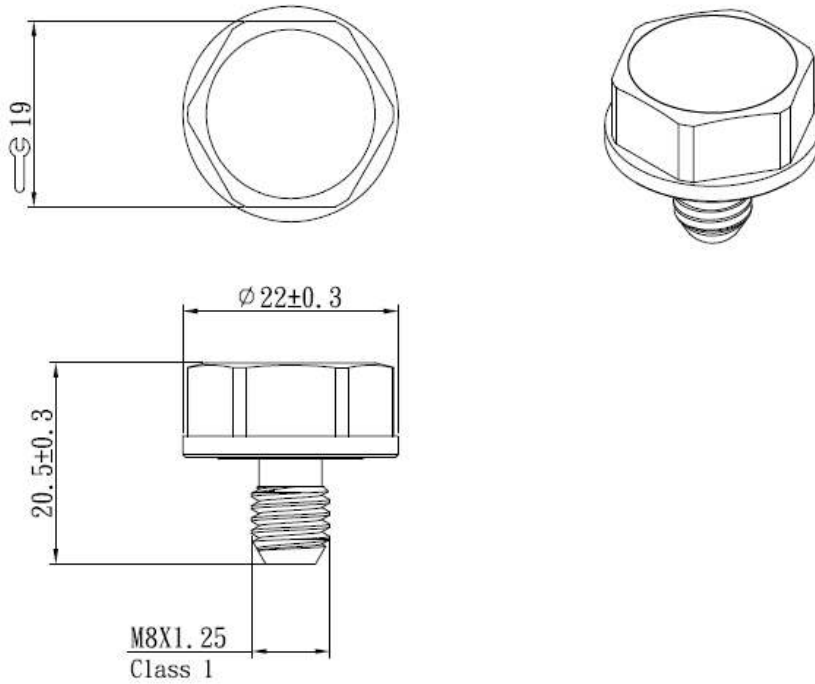
IC Type	Fujitsu MB89R118
Memory	UID 64 bit User memory 2K byte
RF Interface Protocol	ISO 15693
Operating Frequency	13.56 MHz
Applicable Surface	On - Metal

Environmental Resistance

Operating Temperature	-20°C to +85°C
Storage Temperature	-25°C to +125°C
Weight	16g
Warranty	One Year



*HF sensitivity shown in the figure is measured by Voyantic Tagformance HF Loop Antenna C60. Actual sensitivity performance is subject to the environment in practice.



Physical Specification	
Color	Black
Material	Steel: SCM440 Plastic: PA6
Size	Head 19mm Thread M8 *The exact size is mainly based on metric unit.
IP Rating	IP68
Attachment	M8 Type Screw

Ref. No: Digi-Key / 421041101-06075

All rights reserved. Product specifications are subject to change without prior notification.

Securitag Assembly Group (SAG) reserves the rights to change product specifications without prior notice. Our products are free from defects in material and workmanship. However, this warranty does not cover accidental damage, wear and tear due to Under no conditions is SAG liable for loss and damage to a device, data or records. We also recommend extra care to minimize ESD improper use, in the surroundings of the application.

