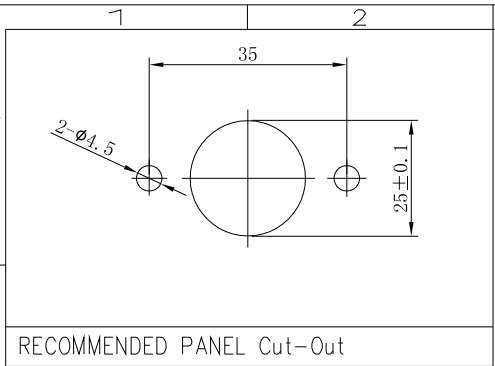
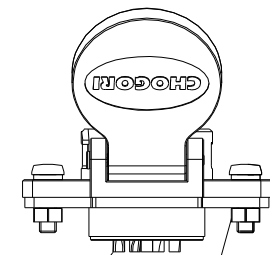
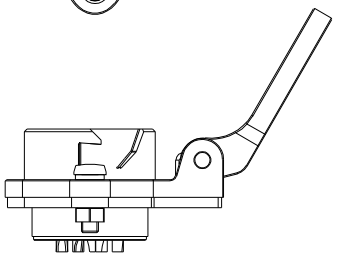
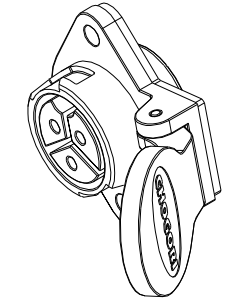
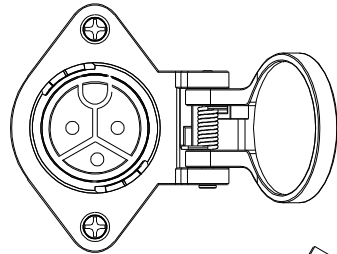


THIS INFORMATION IS CONFIDENTIAL AND IS DISCLOSED TO YOU ON CONDITION THAT NO FURTHER DISCLOSURE IS MADE BY YOU TO OTHER THAN CHOGORI PERSONNEL WITHOUT AUTHORIZATION FROM CHOGORI CORP.

REV.	ECN NO.	DESCRIPTION	SIGN	DATE
C1	N/A	INITIAL DRAWING	Liu	2020/05/20

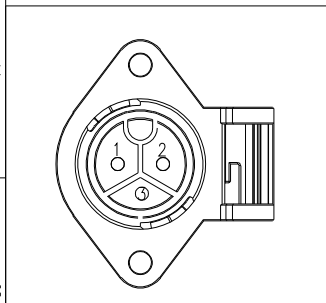


RECOMMENDED PANEL Cut-Out



Connector Female Pin

22XXX636-0X
Pin Number



3 Pin
P/N: 24003636-04
Pin Assignments Front View

- Specification:
- 1.Operation Temperature: -45°C~105°C.
 - 2.Insulation Resistance:100MΩ at DC500V.
 - 3.Contact Resistance:<10mΩ.
 - 4.Withstand Voltage: 2000V AC
 - 5.Operating Current:50A
 - 6.Operating Voltage: AC 300V
 - 7.Waterproof Rate:IP67 (Mated)
 - 8.Housing:Nylon, Black
 - 9.Female Pin:Copper Alloy, Gold Plated
 - 10.Gasket:Silicon Gray
 - 11.Torque Rate:0.8~1.0N·m
 - 12.RoHS Compliant.
 - 13.Mating Cap P/N:806-00058-00

UNIT:mm		DESCRIPTION	CHOGORI		PART NO	24003636-04	DRAWN BY	Liu	DATE	2020/05/20			
TOLERANCE	.X ±0.25 .XX ±0.15 .XXX ±0.05 ANGLES ±1°	SCALE			1:1	SHEET	1 OF 1	DWG NO		CHECKED BY	Mo	DATE	2020/05/20
REV.	C1	SIZE			A4	* :Inspection Item		CUSTOMER		APPROVED BY	Adley	DATE	2020/05/20