

1438126-1 ✓ ACTIVE

[Get .64 Connector System](#)

TE Internal #: 1438126-1

Automotive Connector Caps & Covers, Cover - Cable Exit, Black, PBT GF, -40 – 248 °F [-40 – 120 °C], Get .64 Connector System

[View on TE.com >](#)



Connectors > Automotive Connectors > Automotive Connector Accessories > Automotive Connector Caps & Covers



Protection & Strain Relief Accessory Type: **Cover - Cable Exit**

Strain Relief: **With**

Primary Product Color: **Black**

Primary Product Material: **PBT GF**

Operating Temperature (Max): **70 °C, 75 °C, 80 °C, 85 °C, 90 °C, 100 °C, 105 °C, 110 °C, 120 °C [ 158 °F, 167 °F, 176 °F, 185 °F, 194 °F, 212 °F, 221 °F, 230 °F, 248 °F ]**

### Features

#### Product Type Features

Protection & Strain Relief Accessory Type	Cover - Cable Exit
---	--------------------

#### Body Features

Primary Product Color	Black
Primary Product Material	PBT GF

#### Mechanical Attachment

Strain Relief	With
---------------	------

#### Dimensions

Compatible Cable Bundle Diameter Range	20.2 mm[.795 in]
--	------------------

#### Usage Conditions

Operating Temperature (Max)	70 °C, 75 °C, 80 °C, 85 °C, 90 °C, 100 °C, 105 °C, 110 °C, 120 °C[158 °F][167 °F][176 °F][185 °F][194 °F][212 °F][221 °F][230 °F][248 °F]
Operating Temperature Range	-40 – 120 °C[-40 – 248 °F]

#### Industry Standards

UL Flammability Rating	UL 94HB
------------------------	---------

#### Packaging Features

Packaging Quantity	600
--------------------	-----



Packaging Method

Package

Other

Serviceable

Yes

Product Compliance

[For compliance documentation, visit the product page on TE.com>](#)

EU RoHS Directive 2011/65/EU

Compliant

EU ELV Directive 2000/53/EC

Compliant

China RoHS 2 Directive MIIT Order No 32, 2016

No Restricted Materials Above Threshold

EU REACH Regulation (EC) No. 1907/2006

Current ECHA Candidate List: JUNE 2023 (235)  
Candidate List Declared Against: JAN 2023 (233)  
Does not contain REACH SVHC

Halogen Content

Low Halogen - Br, Cl, F, I < 900 ppm per homogenous material. Also BFR/CFR/PVC Free

Solder Process Capability

Not applicable for solder process capability

Product Compliance Disclaimer

This information is provided based on reasonable inquiry of our suppliers and represents our current actual knowledge based on the information they provided. This information is subject to change. The part numbers that TE has identified as EU RoHS compliant have a maximum concentration of 0.1% by weight in homogenous materials for lead, hexavalent chromium, mercury, PBB, PBDE, DBP, BBP, DEHP, DIBP, and 0.01% for cadmium, or qualify for an exemption to these limits as defined in the Annexes of Directive 2011/65/EU (RoHS2). Finished electrical and electronic equipment products will be CE marked as required by Directive 2011/65/EU. Components may not be CE marked. Additionally, the part numbers that TE has identified as EU ELV compliant have a maximum concentration of 0.1% by weight in homogenous materials for lead, hexavalent chromium, and mercury, and 0.01% for cadmium, or qualify for an exemption to these limits as defined in the Annexes of Directive 2000/53/EC (ELV). Regarding the REACH Regulation, the information TE provides on SVHC in articles for this part number is based on the latest European Chemicals Agency (ECHA) 'Guidance on requirements for substances in articles' posted at this URL: <https://echa.europa.eu/guidance-documents/guidance-on-reach>

Compatible Parts



Also in the Series | [Get .64 Connector System](#)



Automotive Connector Caps & Covers (7)



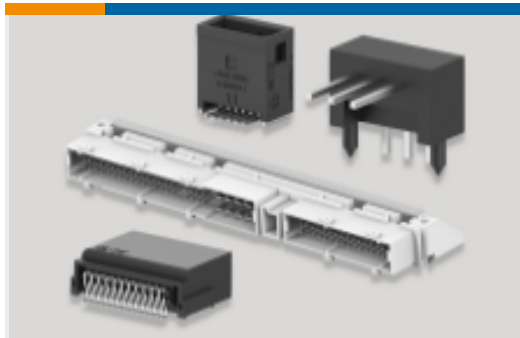
Automotive Housings(118)



Automotive Terminals(30)



Insertion & Extraction Tools(1)

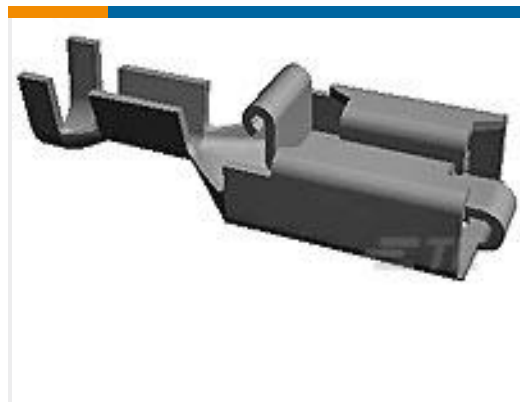


PCB Headers & Receptacles(1)

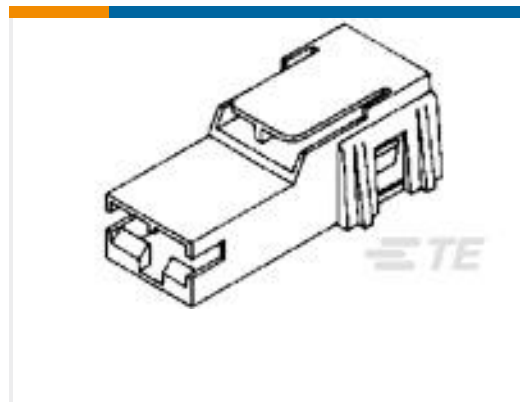
## Customers Also Bought



TE Part #2-1419158-2  
GET .64 CONNECTOR SYSTEM,  
CONNECTOR HSG



TE Part #154718-3  
PL 250 REC 0.7-2.0 MM2 0.406 TPBR



TE Part #520961-1  
PL 250 HOUSING BLACK NYLON



TE Part #1326031-1  
2.8MM BLD,SEAL,22AWG



TE Part #184004-1  
2 POS. PLUG ASSY, KEY C, BLACK



TE Part #CZ2554-000  
SCT-NO.5-Z4-0-50MM



TE Part #771113P006  
FL2500-NO.2-I9-0-65MM



TE Part #CTJ-3A-05-4021  
RAIL ASSY



TE Part #NB25694001  
DWP-125-3/16-0-SP

## Documents



### Product Drawings

#### 50 WAY WIRE SHIELD (PROD)

English

---

### CAD Files

Customer View Model

[ENG\\_CVM\\_1438126-1\\_A.3d\\_igs.zip](#)

English

Customer View Model

[ENG\\_CVM\\_1438126-1\\_A.3d\\_stp.zip](#)

English

Customer View Model

[ENG\\_CVM\\_1438126-1\\_A.2d\\_dxf.zip](#)

English

### 3D PDF

English

By downloading the CAD file I accept and agree to the [Terms and Conditions](#) of use.

---

### Instruction Sheets

#### Instruction Sheet (U.S.)

English