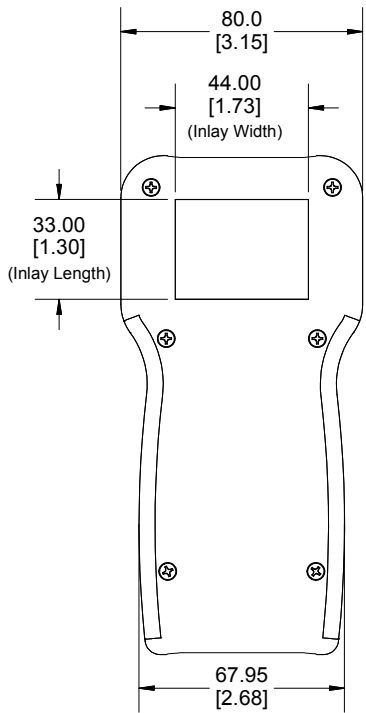
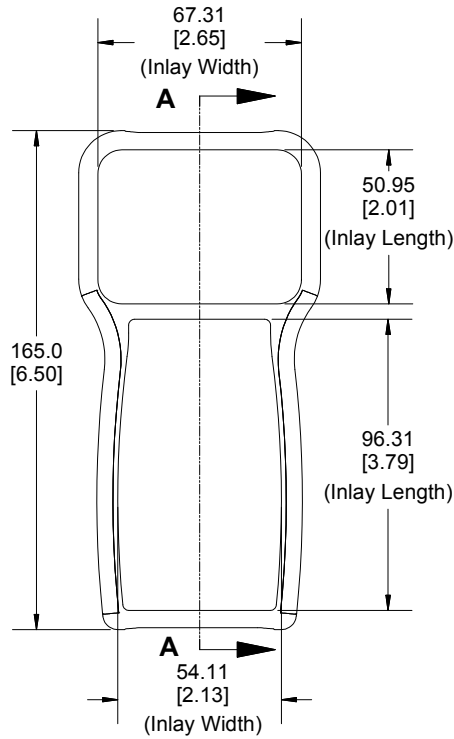


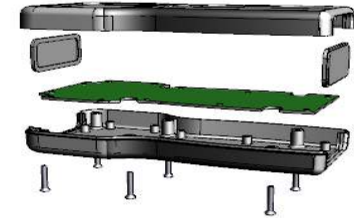
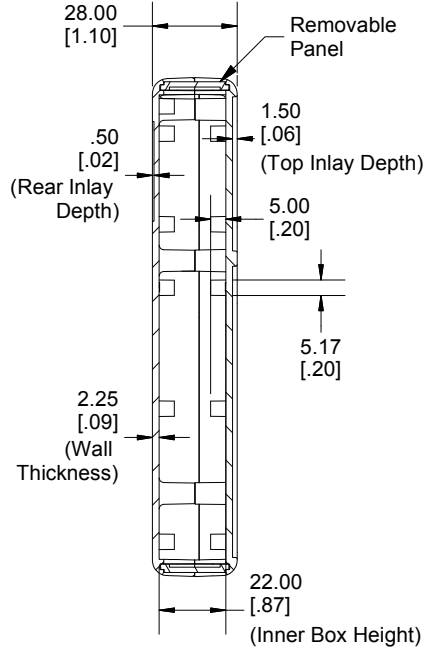
Rear View of Assembly



Top View of Assembly



**SECTION A-A
(Side View of Assembly)**



Enclosures can be Factory Modified (Milling, Drilling, Printing etc.)
 Contact Factory mjm@hammondmfg.com for quotes
 Solid models of this enclosure available in STEP or IGES.
 (Part number and text placement/orientation on our products are subject to change, we do not recommend using them as a locating reference for modification purposes)

NOTE

Enclosure made from FR ABS (UL 94-V0) plastic.

Purchased assembly includes Top, Bottom, front and rear plastic panels and 6 Cover Screws. M3 Brass Inserts are Pre-Installed.

Recommended Cover screw torque – 2.5 lbf-in (30 cN-m)

PART NUMBER

1553TT Regular Enclosure

Black Enclosure/Grey Over-mold 1553TTBK

Grey Enclosure/Grey Over-mold 1553TTGY

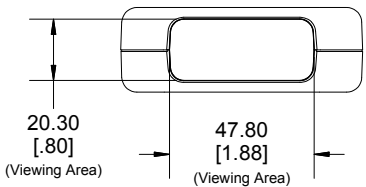
ACCESSORIES

Cover screw (Pkg 100) 1594MS100 (silver)
 [M3-0.5 X 18mm] 1594MS100BK (Black)

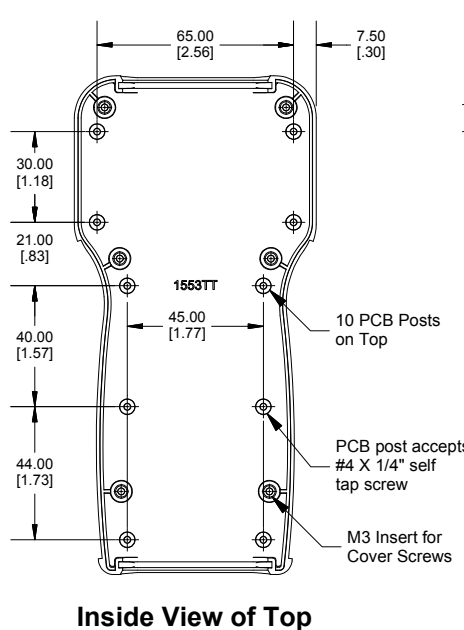
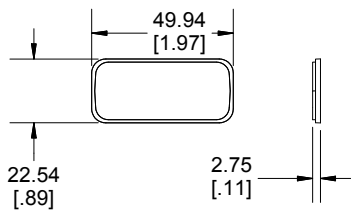
P.C. Board Self Tapping Screw 1593ATS50 (Pkg 50)
 [#4 X 1/4" (6.4mm) Plated] 1593ATS100 (Pkg 100)

Belt or Pocket Clip 1599CLIP (Black)
 1599CLIPGY (Grey)

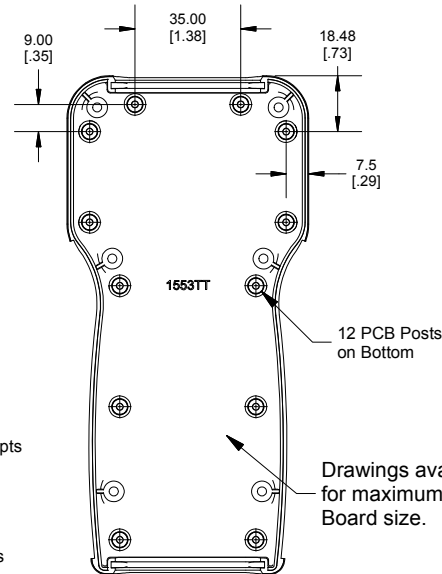
Top End View of Assembly



Front/Rear Panel



Inside View of Top



Inside View of Bottom

Dimensions:
 mm
 [inches]

Drawings available for maximum P.C Board size.