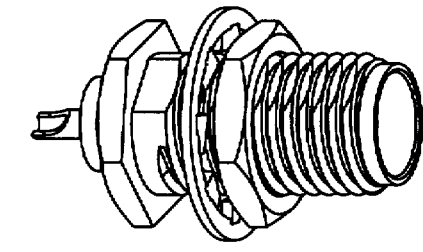


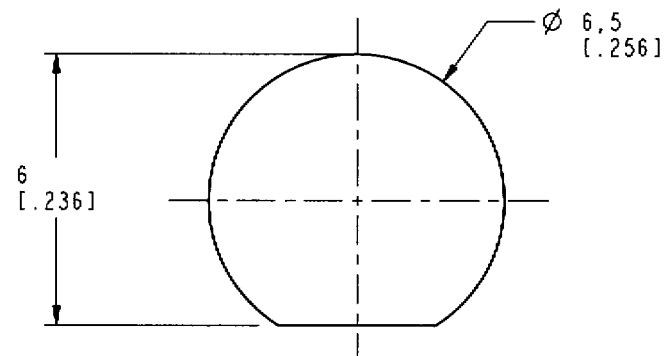
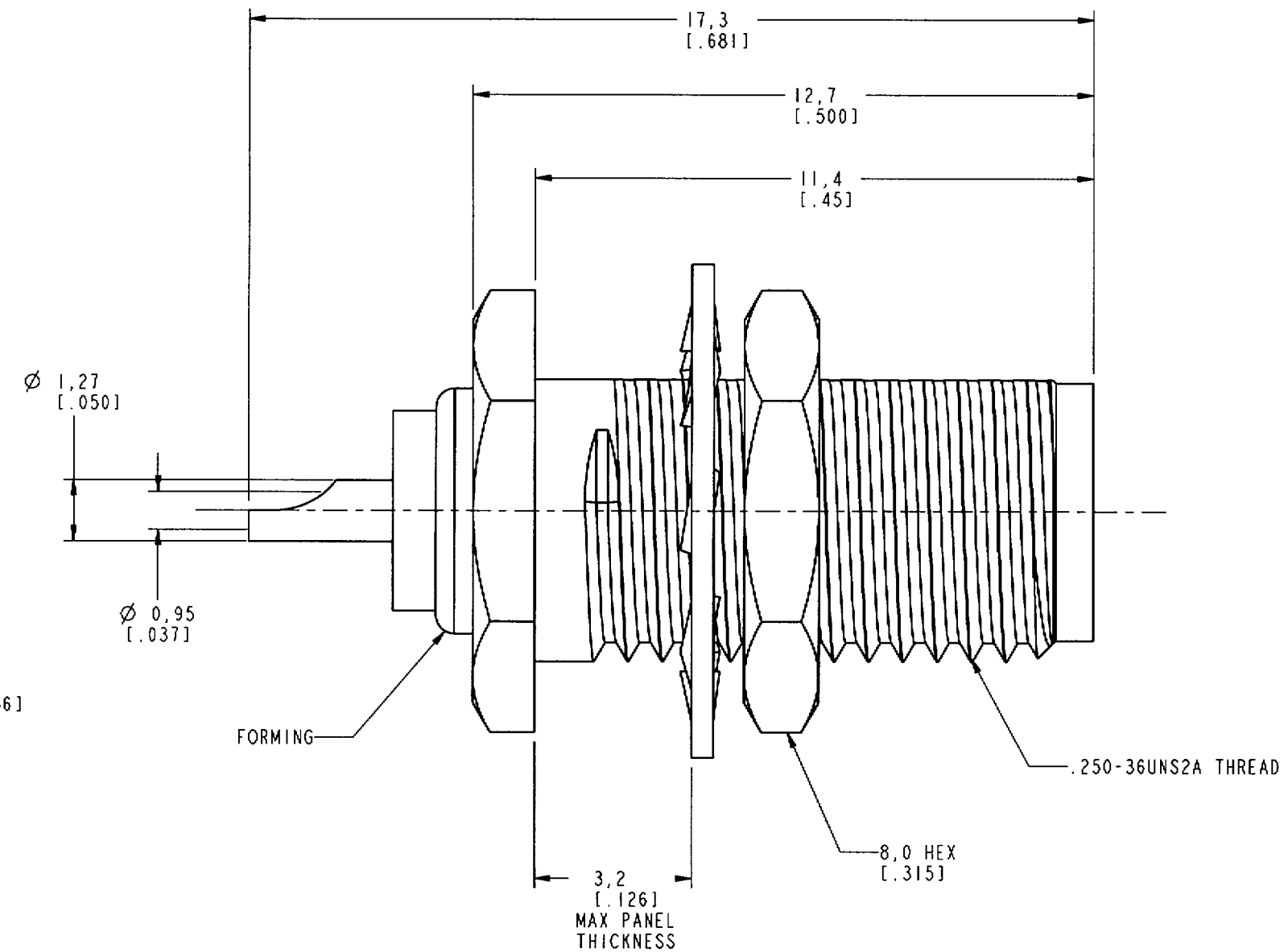
NOTES:

- 1. MATERIALS OF CONSTRUCTION:
 BODY, & HEX NUT = BRASS (QG-B-626), NICKEL PLATED
 CONTACT PIN = BeCu, GOLD PLATED
 LOCKWASHER = BRASS (QG-B-613), NICKEL PLATED
 INSULATORS (2) = TEFLON, MIL-P-19468

901-9890-RFX		REVISIONS			
DRAWING NO.	REV	DESCRIPTION	DATE	ECO	APPR
THIRD ANGLE PROJ.	A	RELEASE TO MFG.	2/2/01	43661	CPM



SCALE 3.000



CUSTOMER OUTLINE DRAWING
 FOR REFERENCE ONLY

UNLESS OTHERWISE SPECIFIED, DIMENSIONS ARE IN INCHES AND TOLERANCES ARE: 0.5 - 6mm ±0.2mm 6 - 30mm ±0.4mm 30 - 120mm ±0.6mm	MATERIAL	DRAWN C. McGRATH	DATE 1/24/01	TITLE SMA BULKHEAD RECEPTACLE JACK	Amphenol Amphenol Corporation Communication and Network Products Division Danbury, CT U.S.A. 06810 SCALE: 8.0:1 SHEET 2 OF 2	
	REFERENCE EAR 967698-0 GEN# 901-9890-RFX_ASSY	ENGINEER O. BARTHELMES	DATE 1/24/01	APPROVED <i>[Signature]</i>		
NOTICE - These drawings, specifications, or other data (1) are, and remain the property of Amphenol Corp. (2) must be returned upon request; and (3) are confidential and not to be disclosed to any person other than those to whom they are given by Amphenol Corp. The furnishing of these drawings, specifications, or other data by Amphenol Corp., or to any other person to anyone for any purpose is not to be regarded by implication or otherwise in any manner licensing, granting rights or permitting such holder or any other person to manufacture, use or sell any product, process or design, patented or otherwise, that may in any way be related to or disclosed by said drawings, specifications, or other data.	CAD FILE I:\SMA\901-9890-RFX	DATE 1/31/01	CODE ID 74868	DWG SIZE B	DRAWING NO. 901-9890-RFX	REV A