

	PRODUCT No	PICK-UP CAP (NATURAL OR BLACK COLOR)	CONTACT PLATING AND THICKNESS	SOLDER BALL	NOTES
⚠	84517-001	YES	15μ" (.38μm) Au	SnPb	
⚠	84517-00IBF	YES	15μ" (.38μm) Au	SnPb	8
⚠	84517-00ILF	YES	15μ" (.38μm) Au	LEAD FREE	6
⚠	84517-00IBLF	YES	15μ" (.38μm) Au	LEAD FREE	6 AND 8
⚠	84517-091	YES	15μ" (.38μm) GXT	SnPb	
⚠	84517-09IBF	YES	15μ" (.38μm) GXT	SnPb	8
⚠	84517-09ILF	YES	15μ" (.38μm) GXT	LEAD FREE	6
⚠	84517-09IBLF	YES	15μ" (.38μm) GXT	LEAD FREE	6 AND 8
⚠	84517-101	YES	30μ" (.76μm) Au	SnPb	
⚠	84517-10IBF	YES	30μ" (.76μm) Au	SnPb	8
⚠	84517-10ILF	YES	30μ" (.76μm) Au	LEAD FREE	6
⚠	84517-10IBLF	YES	30μ" (.76μm) Au	LEAD FREE	6 AND 8
⚠	84517-191	YES	30μ" (.76μm) GXT	SnPb	
⚠	84517-19IBF	YES	30μ" (.76μm) GXT	SnPb	8
⚠	84517-19ILF	YES	30μ" (.76μm) GXT	LEAD FREE	6
⚠	84517-19IBLF	YES	30μ" (.76μm) GXT	LEAD FREE	6 AND 8
⚠	84517-201	YES	SPECIAL NOTE 4	SnPb	4
⚠	84517-20IBF	YES	SPECIAL NOTE 4	SnPb	4 AND 8
⚠	84517-20ILF	YES	SPECIAL NOTE 4	LEAD FREE	4 AND 6
⚠	84517-20IBLF	YES	SPECIAL NOTE 4	LEAD FREE	4,6 AND 8
⚠	84517-291	YES	GXT SPECIAL NOTE 4	SnPb	4
⚠	84517-29IBF	YES	GXT SPECIAL NOTE 4	SnPb	4 AND 8
⚠	84517-29ILF	YES	GXT SPECIAL NOTE 4	LEAD FREE	4 AND 6
⚠	84517-29IBLF	YES	GXT SPECIAL NOTE 4	LEAD FREE	4,6 AND 8

spec ref	dr	Jayaseelan, Va	2020/07/31	projection	mm	size	A3	scale	4:1
tolerance std	eng	Chris Schroll	2021/03/30			ecn no	ELX-V-40495-1	rel level	Released
ASME Y14.5	chr	-	-						
surface	appr	Matthew Emenhe	2021/04/13	Amphenol FCI		4mm RECPT. ASSY. 10x20=200 POS.		cat. no.	Product - Customer Drw
ASME Y14.5	linear	0.X	±.3	dwg no	84517	rev	K	sheet 1 of 3	
	angular	0°	±2°	STATUS:Released		Printed: May 25, 2022			

NOTES:

① MAT'L

HOUSING: LCP
CONTACT: COPPER ALLOY

PLATING

CONTACT: (SEE TABLE ON SHEET 1)
SOLDER BALL: (SEE TABLE ON SHEET 1)
EUTECTIC SnPb OR LEAD FREE
95.5Sn/4Ag/0.5Cu

② OVERALL BOARD-TO-BOARD STACK HEIGHTS
AVAILABLE USING THIS CONNECTOR (84517):

MATED HEIGHT	WITH PLUG P/N
4mm	84516
10mm	84530

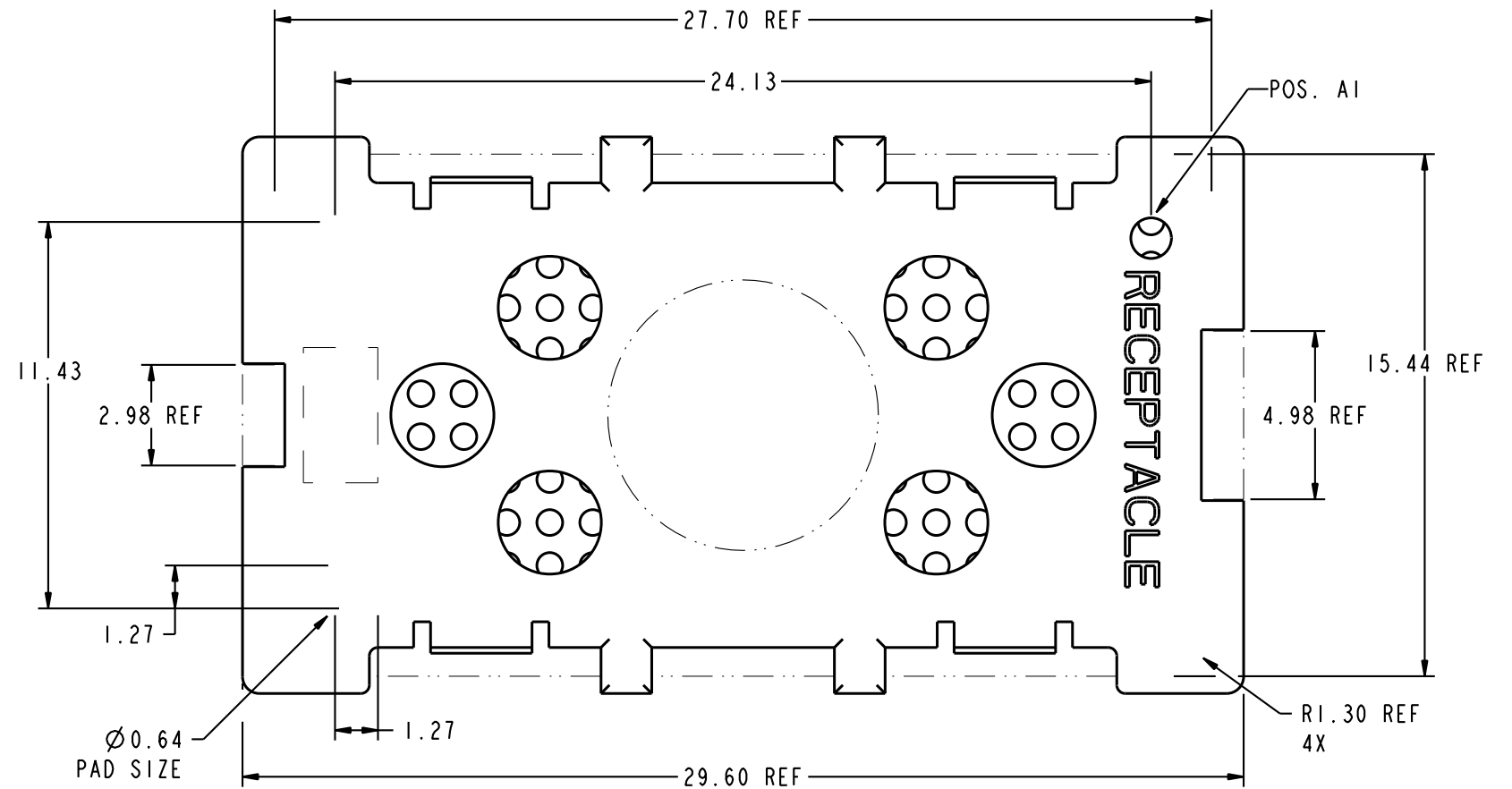
④ PLATING FOR INDICATED -2XX SERIES PRODUCT NUMBERS
MEET THE REQUIREMENTS OF GR-1217-CORE,
CENTRAL OFFICE ENVIRONMENT, 25 YEAR LIFE EXPECTANCY.
THE CONTACTS IN THESE PRODUCT NUMBERS ALSO HAVE
SPECIAL CONTACT GEOMETRY.

⑤ FOR PROPER APPLICATION FOLLOW FCI APPLICATION
SPECIFICATION GS-20-033. LEAD FREE SOLDER BALLS WILL
NOT SOLDER PROPERLY IN A LEADED SOLDER PROCESS
DUE TO A HIGHER REFLOW TEMPERATURE. LEAD FREE
PRODUCT IS THEREFORE NOT BACKWARDS COMPATIBLE WITH
LEADED OR SOME SOLDERING APPLICATIONS. REFERENCE
FCI APPLICATION SPECIFICATION.

⑥ THIS PRODUCT MEETS EUROPEAN UNION DIRECTIVES AND
OTHER COUNTRY REGULATIONS AS DESCRIBED IN GS-47-0004
PRODUCT MEETING THIS DIRECTIVE IS IDENTIFIED IN THE LOT
CODE NUMBER MARKED ON EACH PART BY HAVING AN "X"
IN THE SEVENTH CHARACTER POSITION.

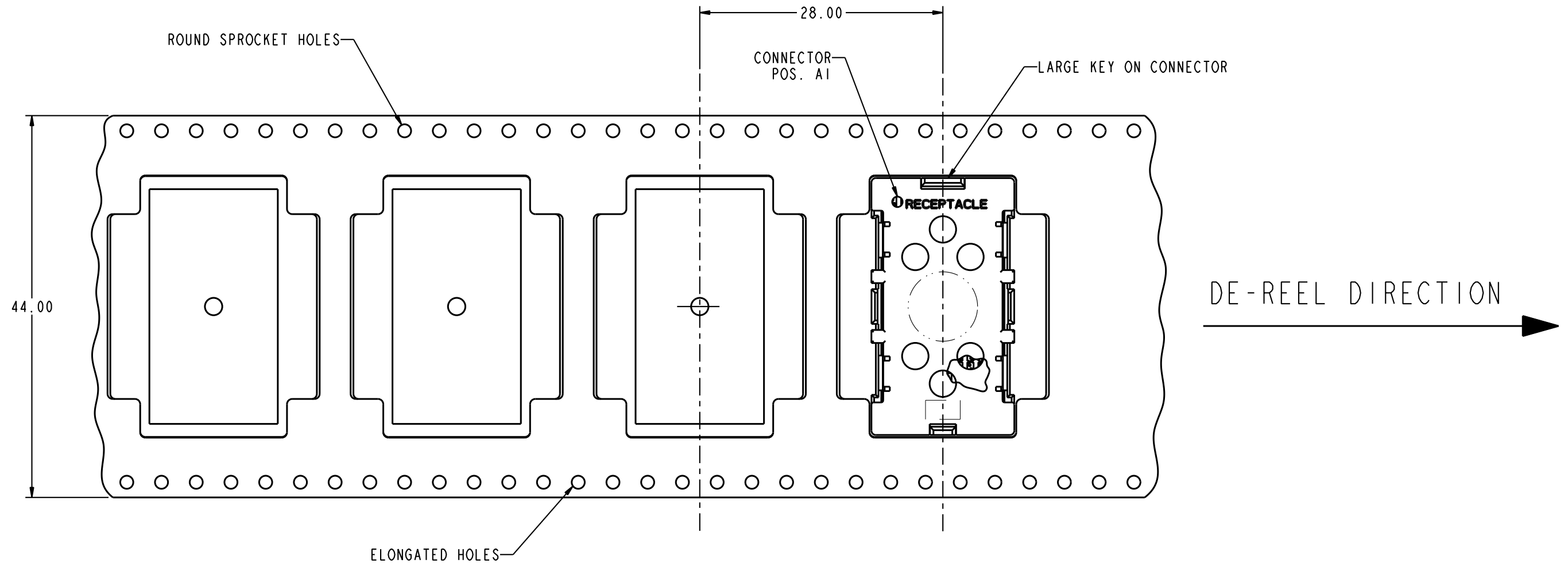
⚠ 7. A ⚠ SYMBOL WILL BE NEXT TO ANY DIMENSION, NEW VIEW OR
NOTE WHICH HAS BEEN MODIFIED WITH THE CURRENT DRAWING REVISION.

⚠ ⑧ FOR THESE DASH NUMBERS, PRODUCT IS BERYLLIUM FREE.



BOARD PATTERN

spec ref	dr	Jayaseelan, Va	2020/07/31	projection	mm	size	A3	scale	5:1
tolerance std	eng	Chris Schroll	2021/03/30			ecn no	ELX-V-40495-1		
ASME Y14.5	chr	-	-				rel level	Released	
surface	linear	0.X	±.3	Amphenol FCI	title 4mm RECPT. ASSY. 10x20=200 POS.	dwg no 84517	rev K	ASME Y14.5	
		0.XX	±.10					ASME Y14.5	
	angular	0°	±2°	cat. no.	Product - Customer Drw	sheet 2 of 3			



spec ref		dr	Jayaseelan, Va	2020/07/31	projection	mm	size	A3	scale	2:1
tolerance std		eng	Chris Schroll	2021/03/30			ecn no		ELX-V-40495-1	
ASME Y14.5		chr	-	-			rel level		Released	
TOLERANCES UNLESS OTHERWISE SPECIFIED		appr	Matthew Emenhe	2021/04/13	product family		MEG-ARRAY		rev	
surface	<input checked="" type="checkbox"/> linear <input type="checkbox"/> angular	0.X	±.3	Amphenol FCi	title 4mm RECPT. ASSY. 10x20=200 POS.		dwg no 84517		rev K	
		0.XX	±.10							
		0.XXX	±.050							
ASME Y14.5	0°	±2°	cat. no.	Product - Customer Drw		sheet 3 of 3				