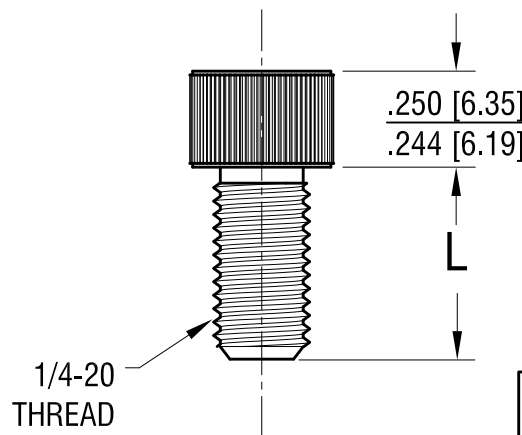
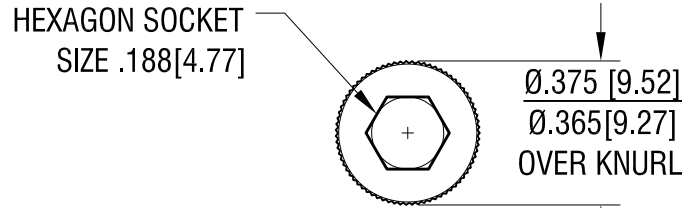


THIS DOCUMENT IS THE PROPERTY OF
KEYSTONE ELECTRONICS CORP. AND
SHALL NOT BE REPRODUCED, DISTRIBUTED
OR USED AS A BASIS FOR MANUFACTURE
WITHOUT PRIOR WRITTEN PERMISSION
FROM KEYSTONE ELECTRONICS CORP.

ACTUAL SIZE



P/N 2908



PART NUMBER	L +.000 [+0.000] -.030 [-0.76]
21904	.250 [6.35]
21906	.375 [9.52]
21908	.500 [12.70]
21910	.625 [15.87]
21912	.750 [19.04]
21914	.875 [22.21]
21916	1.000 [25.40]
PART NUMBER	L +.000 [+0.000] -.040 [-1.02]
21918	1.125 [28.56]

KEYSTONE ELECTRONICS CORP.

www.keyelco.com • NEW HYDE PARK, NY 11040 • Tel (516) 328-7500

PART NAME		SOCKET HEAD SCREW	
MATERIAL		TITANIUM, GRADE 2	
FINISH		DRN BY	DATE
NONE		NT	9.10.20
		APP'D	SCALE
		RH	2X
TOLERANCES	INCH [MM]	CODE	DWG NO.
DECIMAL	\pm .005 [\pm 0.13]	C	21904 - 21918
ANGULAR	\pm 1°		
UNLESS OTHERWISE SPECIFIED			

DATE	DESCRIPTION	REV.
------	-------------	------