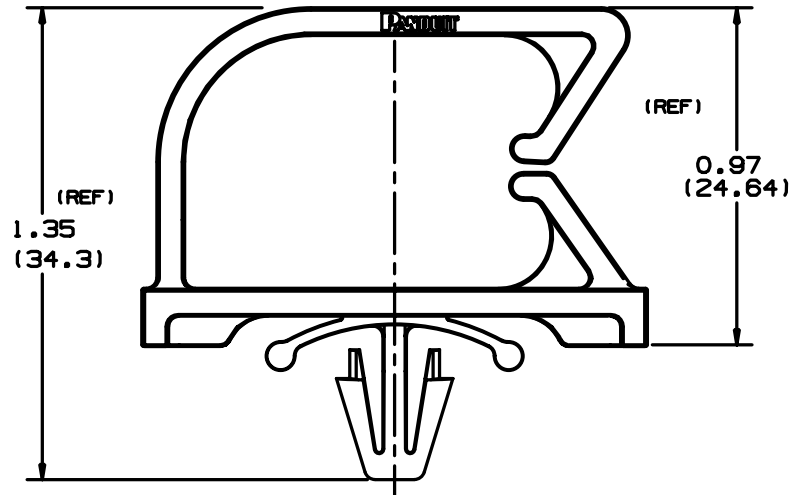
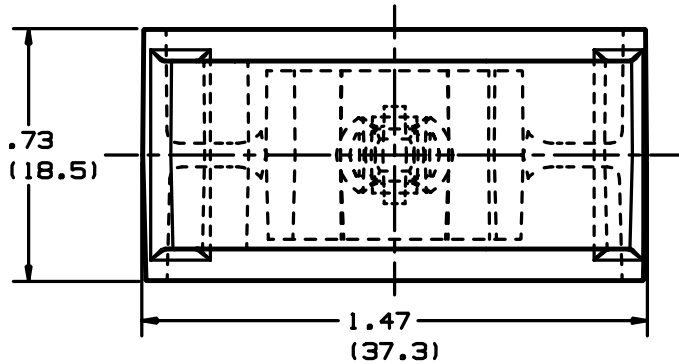


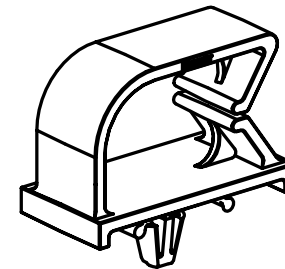
THIS COPY IS PROVIDED ON A RESTRICTED BASIS AND IS NOT TO BE USED IN ANY WAY DETRIMENTAL TO THE INTERESTS OF PANDUIT CORP.



PANDUIT PART NO. *	PANEL DIMENSIONS		WEIGHT LBS. / 100 (G) / PCS.
	THICKNESS	HOLE SIZE	
BECP75H25	0.075 (1.9) MAX.	0.25 (6.4)	1.03 (469)

NOTES:

- * 1. SEE CURRENT PRICE SHEET FOR PART NUMBER SUFFIX DESIGNATION FOR PACKAGE SIZE AND PART COLOR.



SCALE: FULL

(DIMENSIONS IN PARENTHESES ARE IN METRIC.)

CAD FILENAME/LAYERS G002391H_PB_BECP75H25_01

PANDUIT CORP. TINLEY PARK, ILLINOIS

BECP75H25
BEVEL ENTRY CLIP

UNLESS OTHERWISE SPECIFIED,
DIMENSIONAL TOLERANCES ARE:
(.X) ± N/A (.XXX) ± N/A
(.XX) ± .020 (.5) ANGLES ± 1°

UNLESS OTHERWISE SPECIFIED,
ALL DIMENSIONS ARE GIVEN
IN INCHES, THIRD ANGLE PROJECTION.

DRAWN BY LGG

MAT'L:

SCALE 2X

DATE 2/26/02

6/6 NYLON

DRAWING NO.

G002391H

DWG
SIZE
A

REV	DATE	BY	CHK	DESCRIPTION	ECN	R	CUST	SUP
1	4/5/04	JAD		CHANGE PANEL THICKNESS MAX TO .075 FROM .090	G002391H	1		
R	2-26-02	LGG		INITIAL RELEASE TRANSFER FROM DRAWING NO. G-01805.	G002391H	R		
				ADDED REF AND ADDED ANOTHER DIM TO DRAWING 0.97 (24.64)				