

### EDAC PART NO. SYSTEM

A20-108-261-210



- 0 - SINGLE ROW OF PORTS
- 1 - TWO ROWS OF PORTS
- 0 - NO SHIELD
- 1 - METAL SHIELD
- RIGHT LED COLOR
- 0 - BLANK
- 1 - YELLOW
- 2 - RED
- 3 - GREEN
- 4 - BI-COLOR (1-GREEN/2-YELLOW)
- 5 - BI-COLOR (1-RED/2-GREEN)
- 6 - BI-COLOR (1-GREEN/2-ORANGE)
- 7 - BI-COLOR (1-RED/2-YELLOW)
- 8 - ORANGE
- LEFT LED COLOR
- 0 - BLANK
- 1 - YELLOW
- 2 - RED
- 3 - GREEN
- 4 - BI-COLOR (1-GREEN/2-YELLOW)
- 5 - BI-COLOR (1-RED/2-GREEN)
- 6 - BI-COLOR (1-GREEN/2-ORANGE)
- 7 - BI-COLOR (1-RED/2-YELLOW)
- 8 - ORANGE

\* CONTACT EDAC INC. FOR AVAILABILITY

\* 2 - VERTICAL  
6 - R/ANGLE

\* 9 - SURFACE MOUNT  
SMT ONLY AVAIL.  
IN SINGLE PORT

(CODE 4)  
GREEN  
YELLOW

(CODE 5)  
RED  
GREEN

(CODE 6)  
GREEN  
YELLOW

(CODE 7)  
RED  
YELLOW

(CODE 9)  
GREEN  
ORANGE

10 → 9  
12 → 11

TYP. FOR SINGLE  
COLOR LED'S

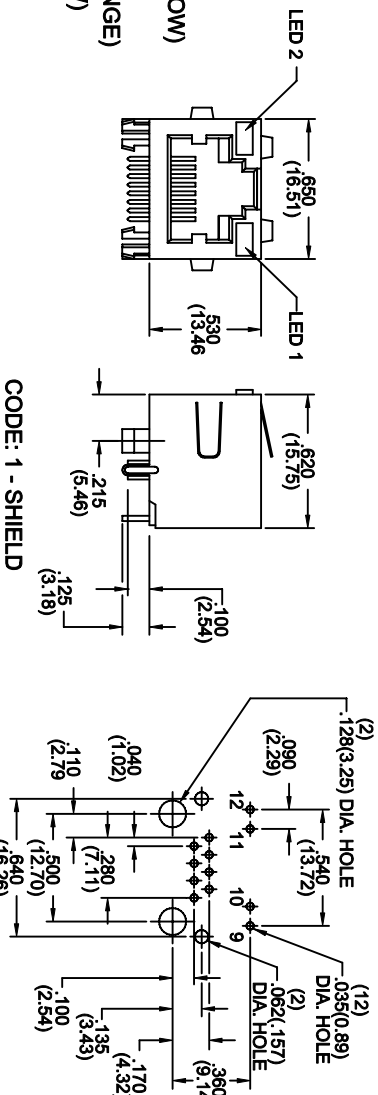
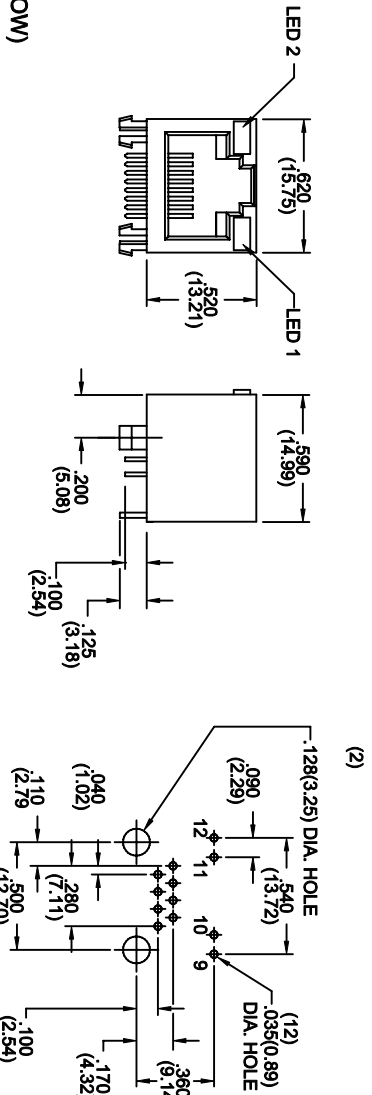
10 → 9  
12 → 11

THIS IS A C.A.D. GENERATED DRAWING  
DO NOT MAKE MANUAL REVISIONS TO MASTER.

ISSUE NUMBER

ORIGINAL

①



THIS SERIES FULLY CONFORMS TO THE  
EUROPEAN UNION DIRECTIVES 2002/95/EC  
AND 2002/96/EC FOR ROHS COMPLIANCY.

### MODULAR JACKS WITH LED'S PART NUMBER STRUCTURE

**EDAC INC.**  
TORONTO, ONTARIO  
CANADA

THESE DRAWINGS AND SPECIFICATIONS  
ARE THE PROPERTY OF EDAC INC. AND  
SHALL NOT BE REPRODUCED OR COPIED  
OR USED AS THE BASIS FOR THE  
MANUFACTURE OR SALE OF APPARATUS  
WITHOUT WRITTEN PERMISSION.

ACAD REFERENCE NO. A20-000-SALES

DRAWN: R.BLAKEY DATE: JAN 27/06

PART NUMBER

A20-000-000

DRAWING NUMBER

A20-000-000

ISSUE

1