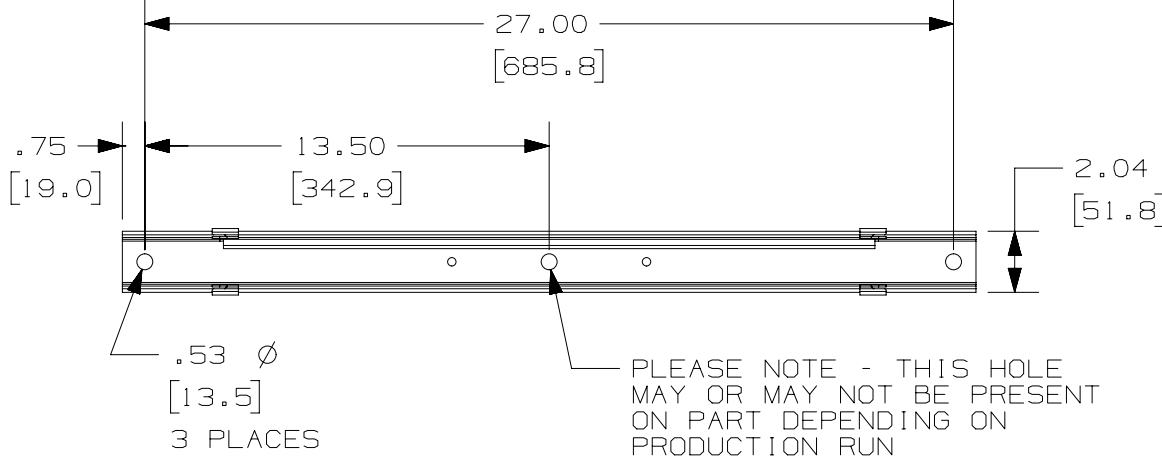


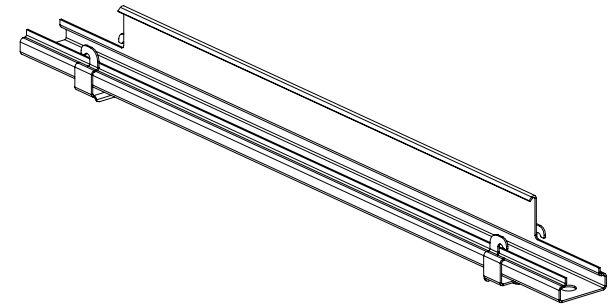
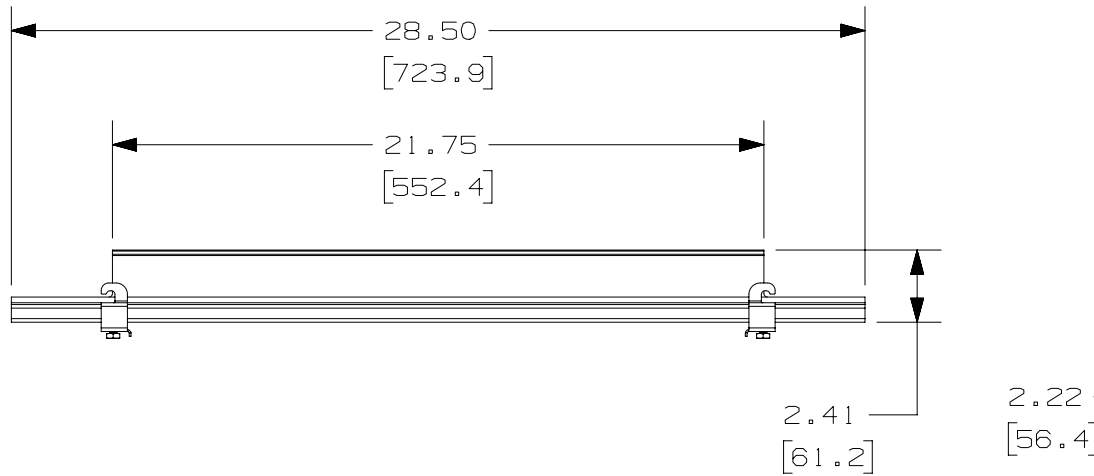
THIS COPY IS PROVIDED ON A RESTRICTED BASIS AND IS NOT TO BE USED IN ANY WAY DETRIMENTAL TO THE INTERESTS OF PANDUIT CORP.



PANDUIT PART NUMBER	WEIGHT
WGTBS24	2.68 LBS (1216 g)

NOTES:

- SEE CURRENT CATALOG FOR PART NUMBER DESIGNATION FOR TYPE AND COLOR.
- EACH PACKAGE CONSISTS OF:  
 (1) WYR-GRID TRAPEZE BRACKET  
 (2) WYR-GRID TRAPEZE BRACKET CLIPS
- WYR-GRID TRAPEZE BRACKETS SUPPORT WYR-GRID PATHWAY SUSPENDED FROM 1/2" (M12) THREADED RODS.
- DIMENSIONS IN PARENTHESES ARE METRIC



REV	DATE	BY	CHK	APR	DESCRIPTION	ECN
01A	3-10-15	PBS	DWR		ADDED CENTER MOUNTING HOLE AND NOTE	
R	06-18-13	SSP	DWW	RN	RELEASED TO PRODUCTION	12D345AC-DC

TITLE <b>WYR-GRID TRAPEZE BRACKET 24" (WGTBS24)</b>		<b>PANDUIT</b>
CUSTOMER DRAWING		
ITEM REVISION NAME 12D345AC/01		MATERIAL: <b>STEEL</b>
DATASET FILE NAME 12D345AC_DC/01A		
UNLESS OTHERWISE SPECIFIED, DIMENSIONAL TOLERANCES ARE: IN (mm)		DRAWING NUMBER: 12D345AC-DC
.X ± .05 [1.3]      .XXX ± .XX ± .05 [1.3]      ANGLES ±		
THIRD ANGLE PROJECTION		
DRAWN BY SSP	DATE 06-18-13	SCALE NONE
SHT 1 OF 1		SIZE A