

Protective covers - VS-PPC-C2-PC67-MNNA - 1404045


Please be informed that the data shown in this PDF Document is generated from our Online Catalog. Please find the complete data in the user's documentation. Our General Terms of Use for Downloads are valid (<http://download.phoenixcontact.com>)



Protective cover, IP67, metal version, to cover the contact insert in the Power push-pull panel mounting frame



Key commercial data

Packing unit	1 PCE
GTIN	 4 046356 285438
Custom tariff number	85389099
Country of origin	GERMANY

Technical data

Mechanical characteristics

Locking type	Push Pull
Insertion/withdrawal cycles	≥ 500
Color	silver
Ambient temperature (operation)	-40 °C ... 70 °C

Ambient conditions

Ambient temperature (operation)	-40 °C ... 70 °C
Degree of protection	IP65/67

Material data

Inflammability class according to UL 94	V0
Housing material	Zinc die-cast
Housing surface material	Nickel-plated
Material	Metal
Material, O-ring	NBR

Protective covers - VS-PPC-C2-PC67-MNNA - 1404045

Technical data

Material data

Material housing intermediate seal	NBR
------------------------------------	-----

Classifications

ETIM

ETIM 3.0	EC002314
ETIM 4.0	EC002314
ETIM 5.0	EC002314

UNSPSC

UNSPSC 11	31261501
UNSPSC 12.01	31261501
UNSPSC 13.2	31261501
UNSPSC 6.01	31261501
UNSPSC 7.0901	31261501

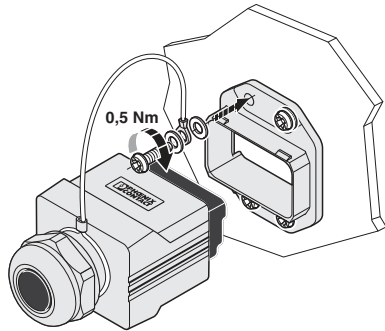
eCl@ss

eCl@ss 4.0	272607xx
eCl@ss 4.1	27260701
eCl@ss 5.0	27260701
eCl@ss 5.1	27260701
eCl@ss 6.0	27261210
eCl@ss 7.0	27440208
eCl@ss 8.0	27440208

Drawings

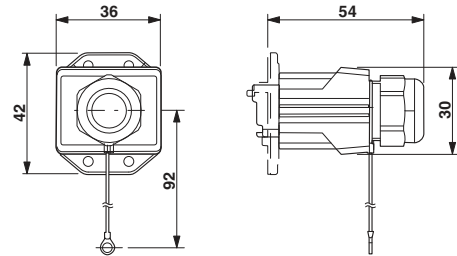
Protective covers - VS-PPC-C2-PC67-MNNA - 1404045

Explosion drawing



Mounting the protective cover

Dimensioned drawing



Protective cover for the Push-Pull panel mounting frame