

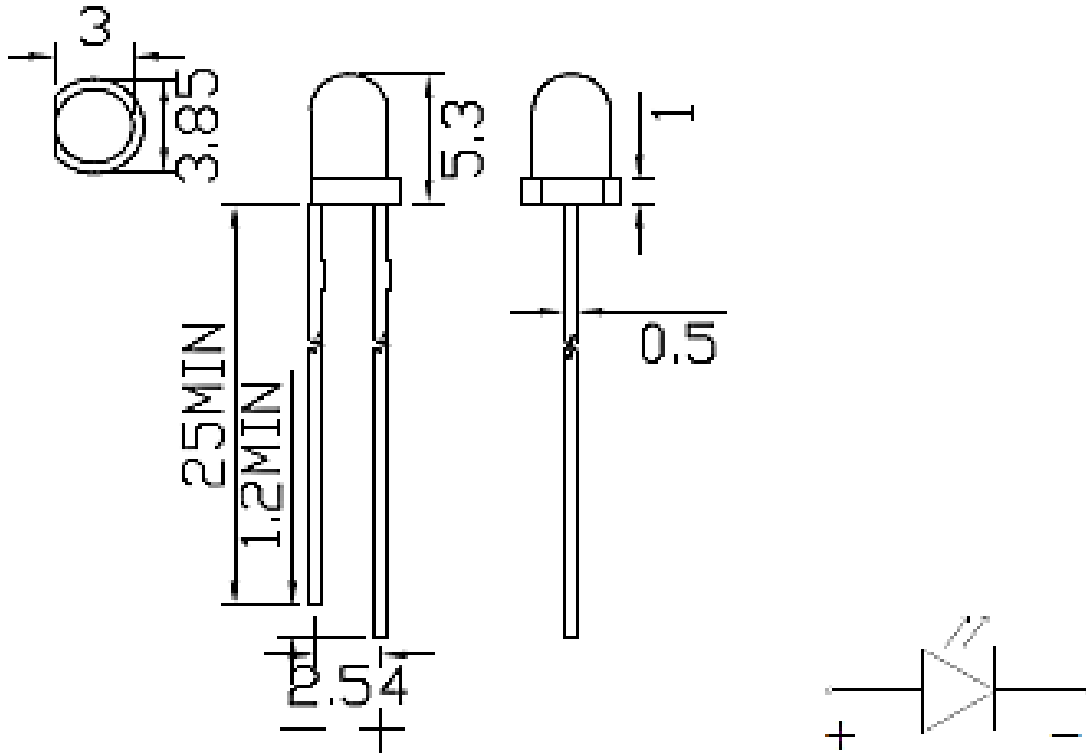


American Opto Plus LED Corp.

L314KYC

3mm Yellow LED Lamp

PACKAGE OUTLINES



ITEM	MATERIALS
Dice	AllnGaP
Lens Color	Water Clear
Emitted Color	Yellow

Notes:

1. All dimensions are in millimeters (inches)
2. Tolerances are $\pm 0.15\text{mm}$ unless otherwise noted.



American Opto Plus LED Corp.

L314KYC

3mm Yellow LED Lamp

ABSOLUTE MAXIMUM RATINGS

(Ta = 25°C)

Parameter	Symbol	Value	Unit
Power Dissipation	P _D	66	mW
Forward Current	I _F	30	mA
Peak Forward Current (1/10 duty, cycle: 0.1ms Pulse Width)	I _{PF}	60	mA
Reverse Voltage	V _R	5	V
Operating Temperature Range	T _{OPR}	-25 ~ +85	°C
Storage Humidity	T _{SH}	45% ~ 85%	°F
Storage Temperature Range	T _{STG}	-30 ~ +85	°C
Soldering Temperature	T _{SOL}	260°C for 5 seconds	

OPTICAL-ELECTRICAL CHARACTERISTICS

(Ta = 25°C)

Parameter	Symbol	Test Condition	Value			Unit
			Min	Typ	Max	
Luminous Intensity	I _v	I _F =20mA	1000	--	2000	mcd
Forward Voltage	V _F	I _F =20mA	1.8	--	2.4	V
Suggested Forward Current	I _F	I _F =20mA	3	5~10	20	mA
Reverse current	I _R	V _R =5V	--	--	10	μA
Dominant Wavelength	λ _D	I _F =20mA	587	--	593	nm
Viewing Angle	2θ _{1/2}	I _F =20mA	--	40	--	deg

When using LEDs in circuits, it is recommended to limit the forward current to 5~10 mA, ≤20 mA.



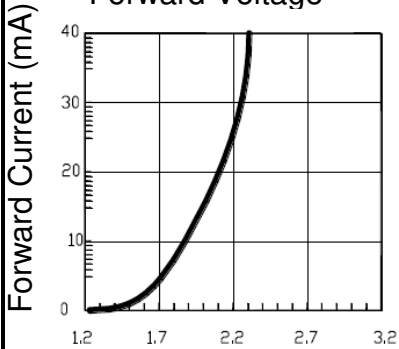
American Opto Plus LED Corp.

L314KYC

3mm Yellow LED Lamp

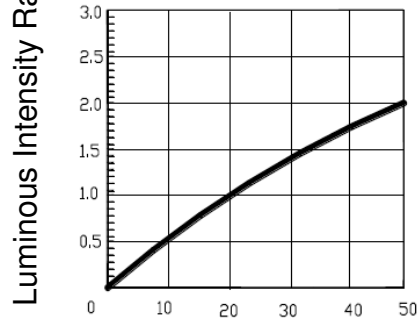
OPTICAL CHARACTERISTIC CURVES

Forward Current vs. Forward Voltage



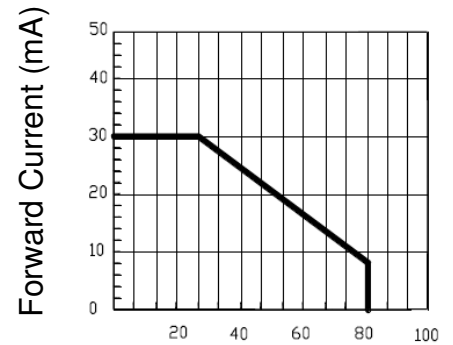
Forward Voltage (V)

Forward Current vs. Relative Luminous Intensity



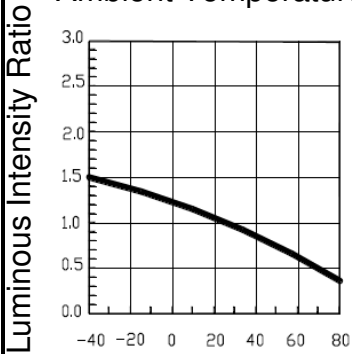
Forward Current (mA)

Forward Current vs. Ambient Temperature



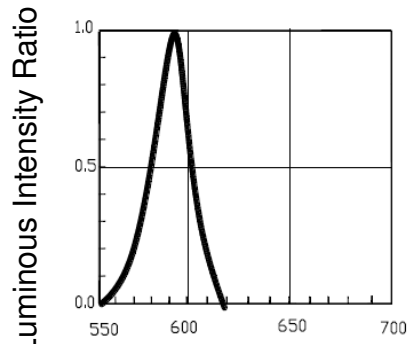
Ambient Temperature (°C)

Relative Luminous Intensity vs. Ambient Temperature



Ambient Temperature (°C)

Relative Luminous Intensity vs. Main Wavelength



Dominant Wavelength (nm)

Radiation Diagram

