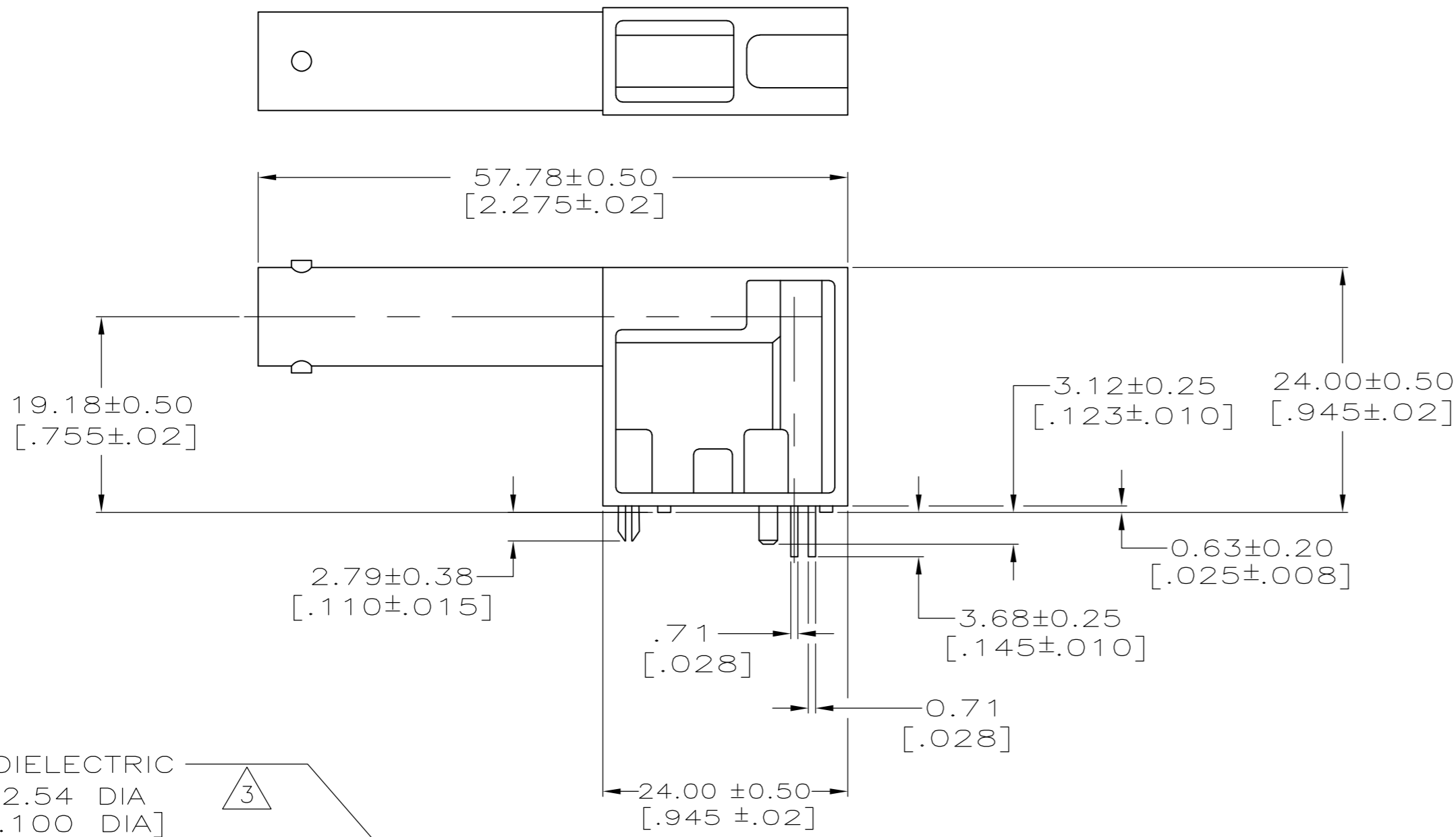
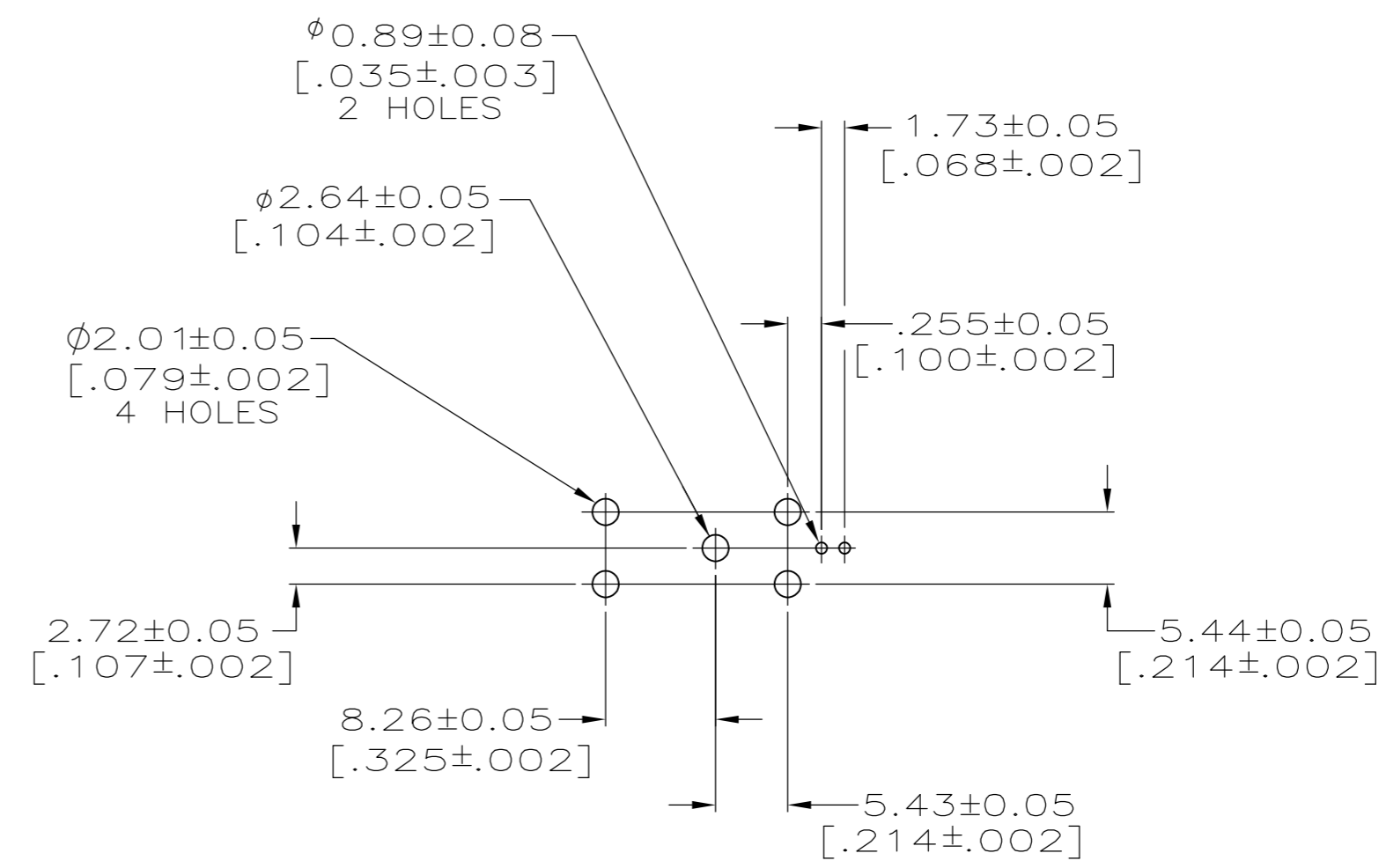
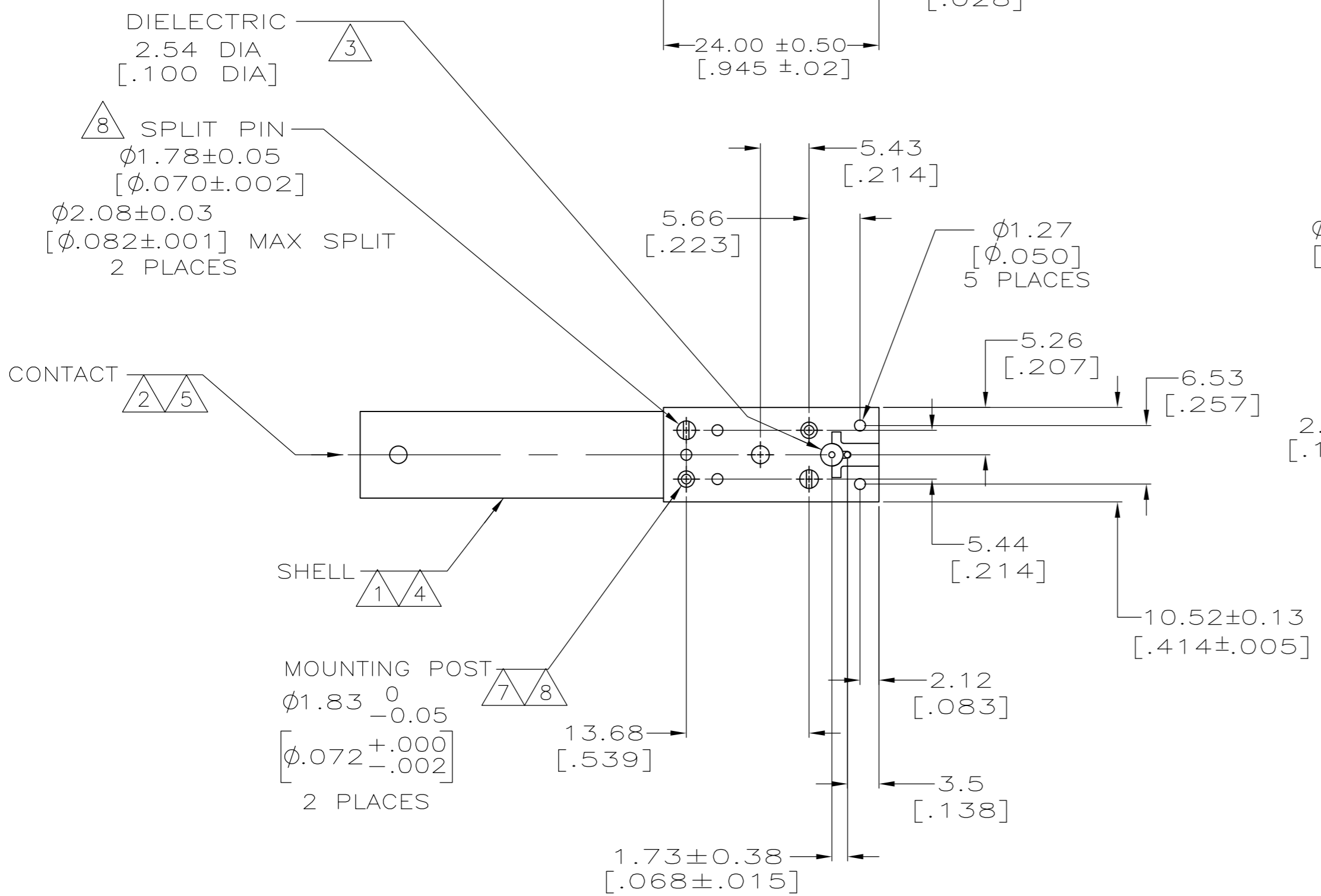


THIS DRAWING IS UNPUBLISHED. RELEASED FOR PUBLICATION  
 © COPYRIGHT - By - ALL RIGHTS RESERVED.

LOC		DIST		REVISIONS			
P	LTR	DESCRIPTION		DATE	DWN	APVD	
AJ	16	C		REVISED PER ECO-11-022150	26MAR12	KH	FB



- 1 ZINC PER QQ-Z-363
- 2 BERYLLIUM COPPER PER QQ-C-530.
- 3 POLYMETHYLPENTENE, GENERAL PURPOSE.
- 4 NICKEL PLATE PER QQ-N-290, 3.81µm [.000150] MINIMUM THICK.
- 5 GOLD PLATE PER ASTM-B-488, 0.76µm [.000030] MINIMUM THICK.
- 6 INTERFACE PER MIL-C-39012.
- 7 BRASS PER ASTM-B-16.
- 8 TIN PLATE PER ASTM-B-545, 3.81µm [.000150] MINIMUM THICK.



PCB CONFIGURATION

5414974-1  
PART NO

THIS DRAWING IS A CONTROLLED DOCUMENT.		DWN J. ALCORTA - DOCK5 27APR2005	TE Connectivity		
DIMENSIONS: mm [INCHES]		CHK J. HAVENER 27APR2005			
TOLERANCES UNLESS OTHERWISE SPECIFIED:		APVD J. LIPPERT 27APR2005	NAME JACK, RIGHT ANGLE PCB, 50 OHM, SERIES BNC		
0 PLC ± - 1 PLC ± - 2 PLC ± 0.08 [.003] 3 PLC ± - 4 PLC ± - ANGLES ± -		PRODUCT SPEC 108-12078	SIZE A2	CAGE CODE 00779	DRAWING NO 5414974
MATERIAL SEE NOTES 1,2,3,7		FINISH SEE NOTES 4,5,8	WEIGHT -	RESTRICTED TO -	SCALE 2:1
CUSTOMER DRAWING			SHEET 1 of 1	REV C	