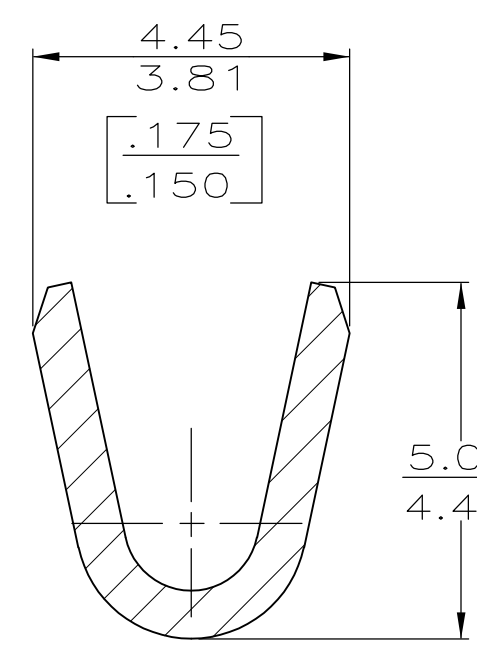
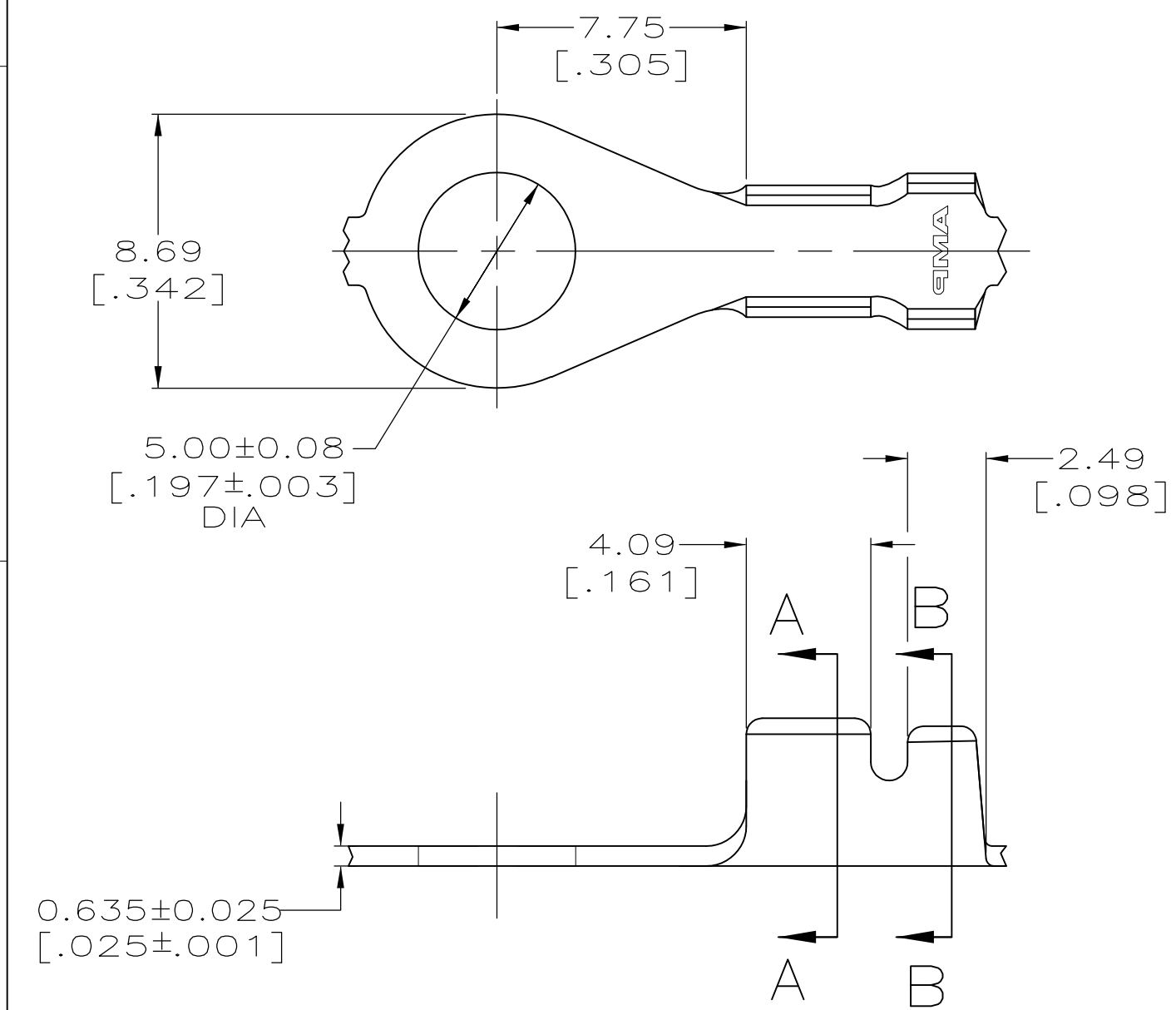


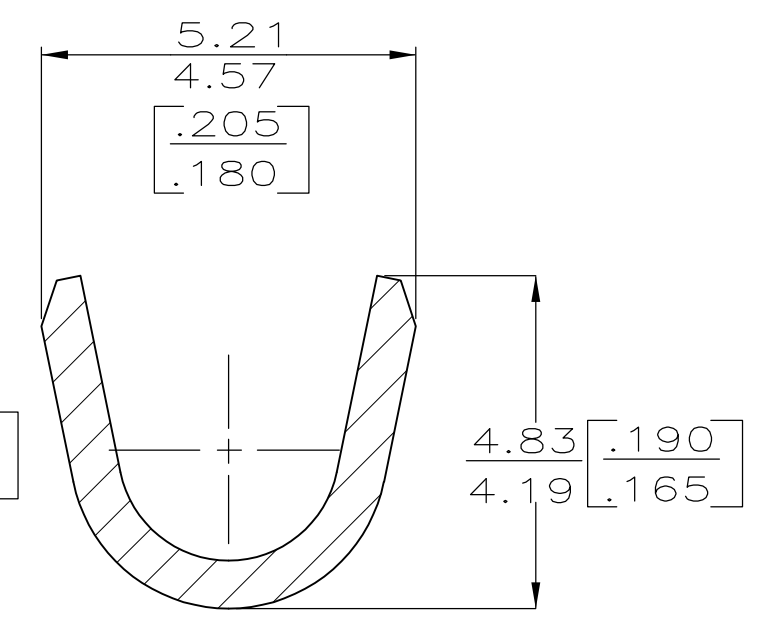
THIS DRAWING IS UNPUBLISHED. RELEASED FOR PUBLICATION
 © COPYRIGHT BY TYCO ELECTRONICS CORPORATION. ALL INTERNATIONAL RIGHTS RESERVED.

LOC	DIST	REVISIONS					
AF	50	P	LTR	DESCRIPTION	DATE	DWN	APVD
			W	REVISED PER ECR-08-008189	24NOV08	HMR	DD

1 CONTINUOUS STRIP ON REEL.



SECTION A-A
 SCALE 10:1



SECTION B-B
 SCALE 10:1

2.54-3.56 DIA [.100-.140]	[18-14] AWG	60433-2
INSULATION RANGE	WIRE RANGE	PART NO

THIS DRAWING IS A CONTROLLED DOCUMENT.		DWN 07/APR/95 PHILLIP M FORTNEY	Tyco Electronics Corporation Harrisburg, PA 17105-3608	
DIMENSIONS: mm [INCHES]	TOLERANCES UNLESS OTHERWISE SPECIFIED:	CHK 07/APR/95 JEFF R RUTH	NAME	
	0 PLC ± - 1 PLC ± - 2 PLC ± 0.25 [.010] 3 PLC ± - 4 PLC ± - ANGLES ± -	APVD 07/APR/95 GARY YETTER	RING	
MATERIAL 082 BRASS	FINISH TIN PLATING	PRODUCT SPEC -	APPLICATION SPEC -	RESTRICTED TO -
CUSTOMER DRAWING		WEIGHT -	SIZE A3	CAGE CODE 00779
		DRAWING NO C-60433		SCALE 5:1
		SHEET 1 OF 1		REV W