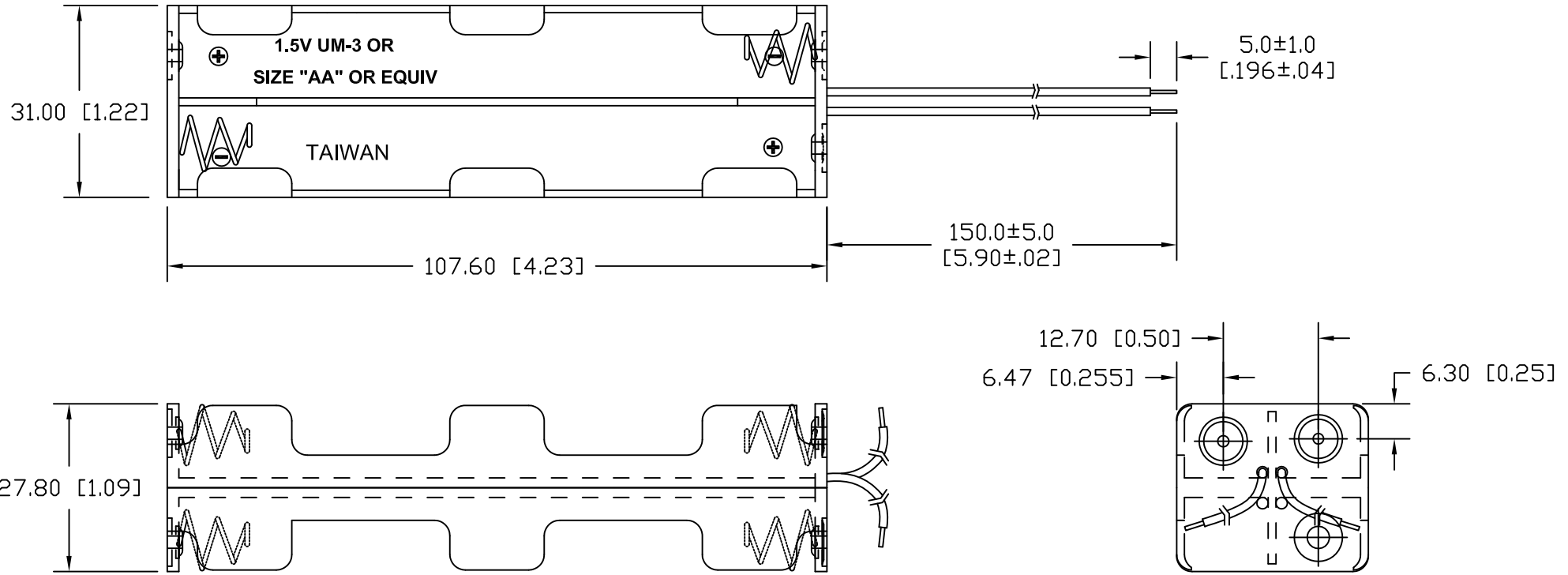



Date	SYM	REVISION RECORD	AUTH	DR.	CK.
11/21/14	B	REDRAWN AND UPDATED TO ROHS 2 COMPLIANT	T.B.	B.S.	
07/14/16	C	DIM. 107.60 WAS 107.50 DIM. 27.50 WAS 27.80	T.B.	B.S.	
06/27/17	D	DIM. 150.0 WAS 152.4 DIM. 5.0 WAS 3.18 DIM. 27.80 WAS 27.50	T.B.	B.S.	



**MATERIAL:**

HOUSING: POLYPROPYLENE  
 FLAMMABILITY RATING -UL94 HB, UL FILE NO. E216959  
 TEMPERATURE RANGE: -10°C to +100°C  
 SPRINGS: SPRING STEEL, NICKEL PLATED  
 RIVETS: BRASS, NICKEL PLATED  
 WIRES: 26 AWG, UL1007, CSA TR-64, 300V, 80°C  
 CONTACT RESISTANCE: UNDER 50mΩ FOR +/- CONTACTS  
 PER EIA-540J000  
 ROHS 2 COMPLIANT

Tolerance (Inches)	 <b>Memory Protection Devices, Inc</b> 200 Broad Hollow Road, Farmingdale, New York 11735		
Decimal ±.5 (.020)	Scale	Drawn By B.S.	
Fractional ±.8 (.030)	Title EIGHT "AA" BATTERY HOLDER WITH WIRE LEADS		
Angular ± 3°	Date 06/27/17	Drawing Number BH28AAW	
		Approved By T.B.	