

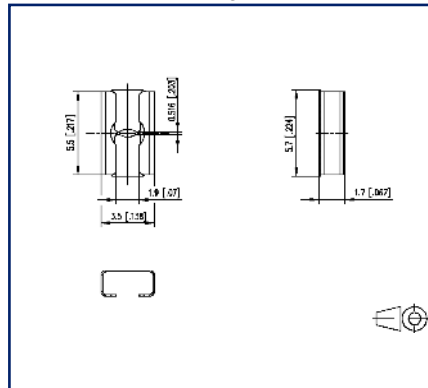
Data sheet

SM01Y01VXNN01G1 15-inch Reel solder pad/component side

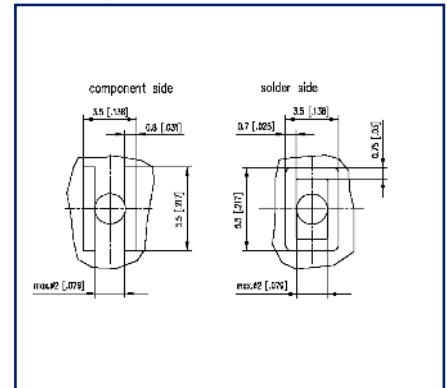
Illustrations



Dimensional drawing



PCB-Layout



See enlarged drawings at the end of document

Product specification

- spring clamp terminal block, SMT solderable
- one-way contact
- direction of connection vertical 0°
- Tape & Reel packaging

Technical Data

General Data	
min. number of poles	1
max. number of poles	1
Protection category	IP00
Min. insul. strip length	4 mm
Rated current	13 A
Terminal data	
rat.wiring solid AWGmax	0.75 mm ² - 1.5 mm ² / AWG 18 - AWG 16
Material	
contact material	CuBe
Contact surface	Ni + Sn
Climatic Data	
upper limit temperature	150 °C
lower limit temperature	-40 °C
general	
Tolerance	ISO 2768 -mH
Solderability	Acc. to IPC/JEDEC J-STD-020D-MSL 1
Sicherheitshinweis	
Safety instructions	Components have to be fixed in a way to prevent any transmission of forces on to the contact. Components with more than one pin are recommended.



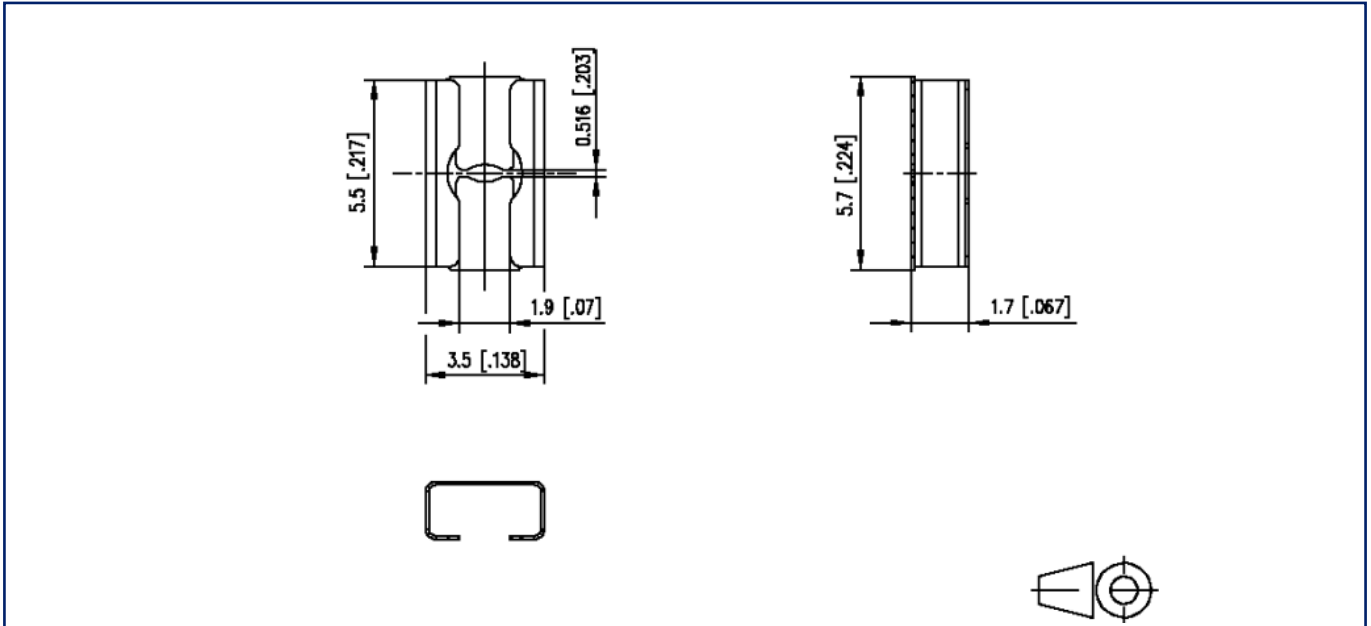
Counterpart

P/N	Designation
709023	Tape_ASM01Y_16mm K03547 Tape_ASM01Y_16mm

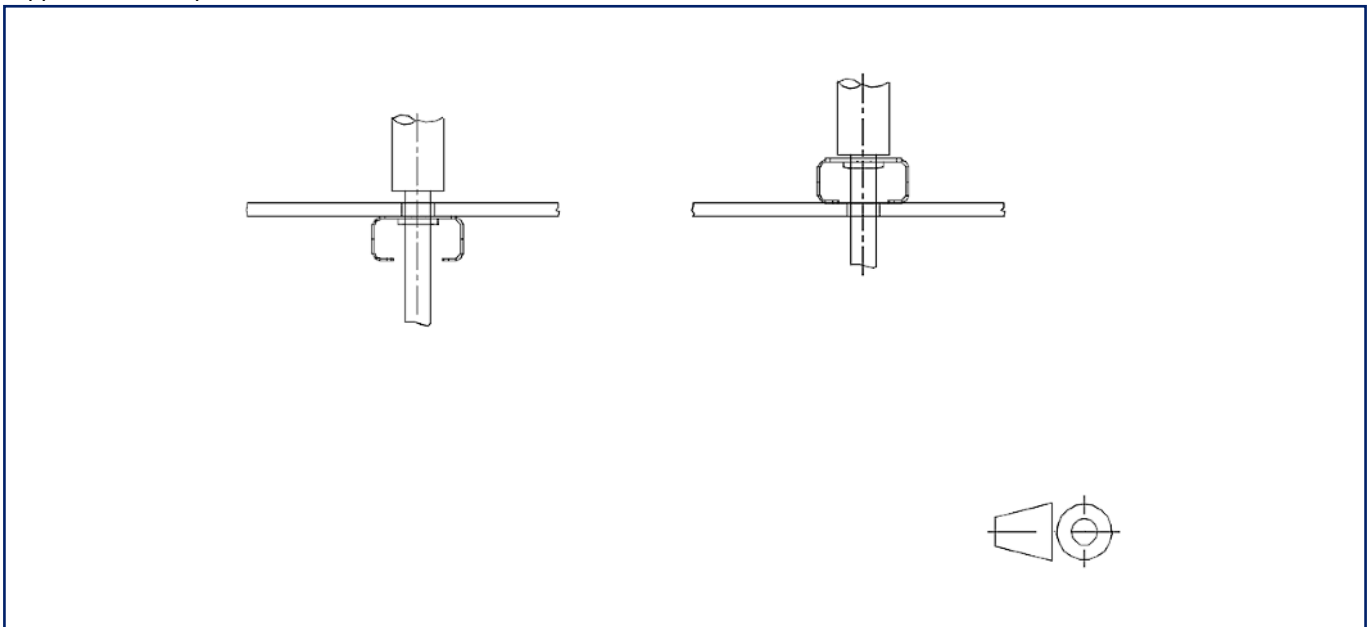
© 2023 METZ CONNECT - Technische Änderungen vorbehalten! Subject to modifications! Sous réserve de modifications techniques!

Illustrations

Dimensional drawing

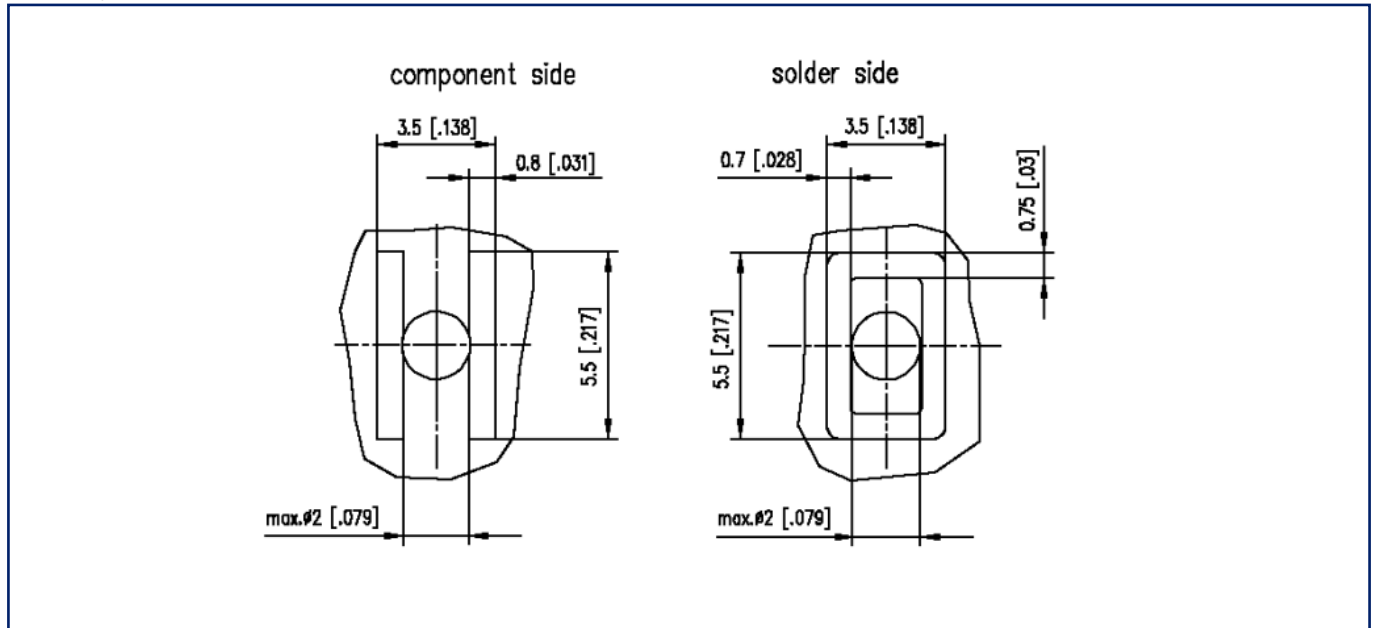


Application example



Illustrations

PCB-Layout



U | Contact

Data sheet

Page 6/6

SM01Y01VXNN01G1 15-inch Reel solder pad/component side

P/N
ASM01Y0164-1G16

2023/06/28

Version: X

Illustrations